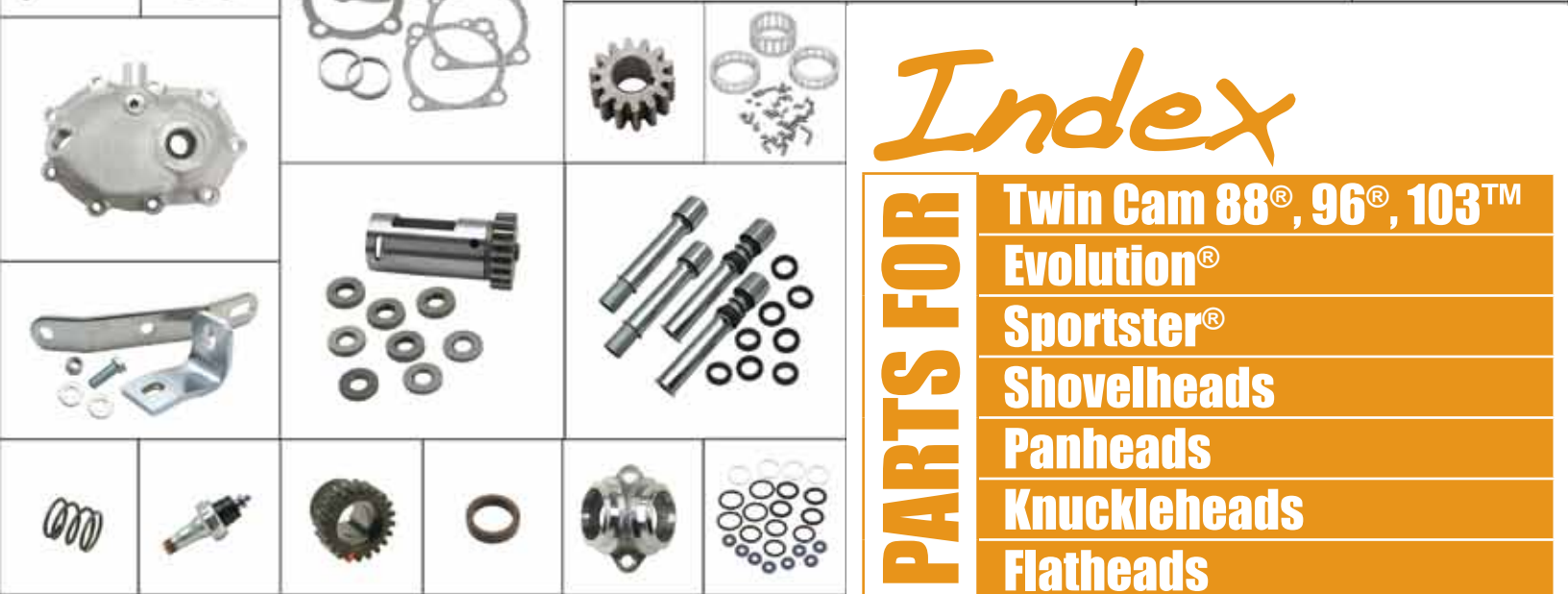


Stock Replacement Parts for Harley-Davidson® from S&S® Cycle



Index

- PARTS FOR** Twin Cam 88[®], 96[®], 103[™]
- Evolution[®]
- Sportster[®]
- Shovelheads
- Panheads
- Knuckleheads
- Flatheads
- OEM to S&S Cross Reference Chart
- S&S to OEM Cross Reference Chart



V-TWIN PERFORMANCE SINCE 1958

S&S PARTS FOR STOCK REPLACEMENT APPLICATIONS

Everybody knows that S&S parts are used to make bikes go faster, but sometimes we overlook the fact that many S&S components can be used in stock replacement applications. After all, if we have the parts to build complete engines, we have the parts to fix them too. The majority of non-performance related components are interchangeable with stock. For example, if you are going to install an S&S camshaft, won't you be replacing the cam bearings and tappets too? So why not order them from S&S when you order the cam?

Some benefits of using S&S parts for routine work are that you can consolidate orders to save on shipping, use the extra volume to get to the next S&S discount level or receive free shipping, and most importantly there is the peace of mind knowing that you are using superior quality S&S components. So the next time you are getting ready to order some stock replacement parts, take a look at this short S&S-to-stock cross reference chart to find an S&S part that will fit the bill.

Note: Parts highlighted in orange may not be emissions legal on all installations.



MISSION STATEMENT AND TRADEMARK INFORMATION

MISSION STATEMENT

Lead the powersports industry in designing, producing and marketing high performance products and assemblies by knowing and exceeding consumer expectations and achieving organizational excellence.

DISCLAIMER

The names Harley, Harley-Davidson, Buell, H-D, and all trademarks owned by Harley-Davidson and its affiliated companies, and all Harley-Davidson and Buell part numbers and model designations are used for reference only. S&S Cycle is in no way associated with or authorized by Harley-Davidson Motor Co. to manufacture and sell any of the engine parts described in this catalog.

THE FOLLOWING ARE TRADEMARKS OF HARLEY-DAVIDSON® MOTORCYCLE COMPANY

Buell®	HD®	Twin Cam 88®
Dyna®	H-D®	Twin Cam 88B™
Evolution®	Heritage Softail®	Twin Cam 96™
Evo™	Screamin' Eagle®	Twin Cam 96B™
Harley®	Softail®	
Harley-Davidson®	Sportster®	

THE FOLLOWING ARE TRADEMARKS OF S&S CYCLE INC.

Body Parts	IST	Super Stock
Dealer Focus	Performance Times	X-Wedge
EZFI	Proven Performance	Flathead Power
Frame Lock	S&S	
G-Extreme	Sidewinder	
Hot Set Up Kit	SPO	

ORDER TOLL-FREE

CUSTOMER SUPPORT HOURS: MONDAY-FRIDAY 8:00 A.M. TO 5:00 P.M. CST

In an ongoing effort to better serve our customers, S&S has the following phone services.

Our toll free Domestic Customer Support number, (866) BIG-BORE (244-2673) provides access to the S&S Customer Support Department. Use this number to place orders from within the 50 United States, Canada, and Puerto Rico.

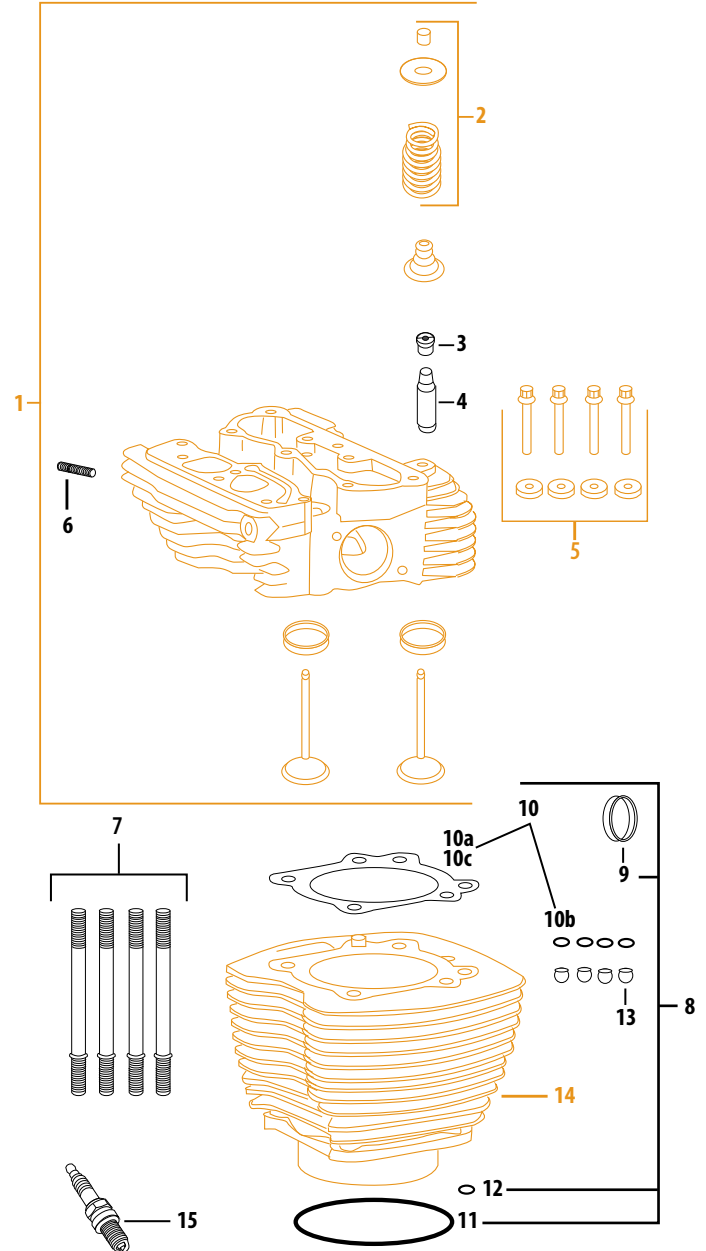
ALL OTHER CALLS

All other calls should be directed to (608) 627-1497. International customers should use this number, to place orders from outside the United States. This number should also be used if you have a technical or warranty question, or to contact the Accounting or Customer Training departments. This is not a toll free number.

Harley-Davidson® Twin Cam 88®, 96®, 103™ Models

CYLINDER, HEAD AND VALVE STOCK REPLACEMENT PARTS FOR HARLEY-DAVIDSON® TWIN CAM 88®, 96®, & 103™

- 1- Head, Kit, Stock & 3/8" Bore, .640" Triple Steel
1999-'05 bt
79cc, 1.940" Intake, 1.575" Exhaust
Silver.....106-4277
Black.....90-1293
89cc, 2.0" Intake, 1.605" Exhaust
Silver.....106-4270
Black.....90-1106
- 2006-up bt
79cc, 1.940" Intake, 1.575" Exhaust
Silver.....106-3227
Black.....106-3233
89cc, 2.0" Intake, 1.605" Exhaust
Silver.....106-3255
Black.....106-3240
- Head Kits Include Front and Rear Assembled Heads and .640" Valve Springs:*
- 2- Spring, Kit, Valve, SDW, .585", Steel
1984-2004 bt90-2069
2005-up bt (includes seals)900-0049
- 3- Seal, Valve Guide
1984-'04 bt (H-D 18001-83B) each90-2008
8 pack90-2158
2005-up bt*106-5688
** Note: Does not have or work with integral bottom collar*
- 4- Valve Guide, Intake/Exhaust, Cast Iron
1984-'04 bt
Standard (H-D 18112-92) each90-2210
+.001" (H-D 18130-83C) each90-2211
+.002" (H-D 18133-83A) each90-2212
+.003" (H-D 18131-83C) each90-2213
- 5- Head Bolt, Kit, Stock Heads, 12 pt, 1999-up bt93-3014
- 6- Stud, Exhaust Port, 5/16-18, 3/16-24 x 1.910", Zinc, Steel (H-D 16715-83) each50-0493
5 pack50-1028
- 7- Stud, Cylinder Base, 3/8-16 UNC x 6.070", Black, Steel, 1999-up bt (H-D 16834-99A)
each31-2325-S
8 pack31-2340
- 8- Gasket, Kit, Head/O-ring/Exhaust, 1999-up bt
3 3/4" (includes # 9, 10a, 10b, 11, 12)90-1911
3 7/8" (includes #9, 10c, 11, 12)106-3763
- 9- Gasket, Exhaust, Tapered, Stainless Steel, 1984-up bt (H-D 65324-83B) each106-5029
10 pack93-1072
- 10- Gasket, Set, Head, Stock Pattern, .043"
3 3/4", Graphite, 1999-up bt, 88" & 96"93-1090
Gasket Set Includes:
a. (2) Gasket, Head, Stock Pattern, .043", 3 3/4", Graphite each93-1045-S
b. (4) O-ring, (-013), .437" ID x .565" OD (H-D 11275) each50-8008
3 7/8", MLS, 1999-up bt, 95" & 103"
c. Gasket, head, stock pattern, .043", 3 7/8", MLS, each106-3714
- 11- O-ring, (-155), 3.987" ID x 4.193" OD (H-D 11256) each50-8048
12- O-ring, (-013), .437" ID x .565" OD (H-D 11275) each50-8008
13- Pin, Dowel, .437" x .610", Steel (H-D 16595-99A) each50-8177
4 pack50-8177-4
10 pack50-8179
- 14- Cylinder, 3/8" Bore, 4.937" for 95" or 103"
Silver, Set106-4137
Silver, Front or Rear Only106-4061
Black, Set91-7045
Black, Front or Rear Only106-3128
- 15- Spark Plug, Resistor, 12mm, 2 Pack55-1322



■ = Not direct replacement parts
■ = Direct replacement parts

Parts for
Twin Cam 88®, 96®, 103™

Parts for
Evolution®

Parts for
Sportster®

Parts for
Snowheads

Parts for
Panheads

Parts for
Knuckleheads

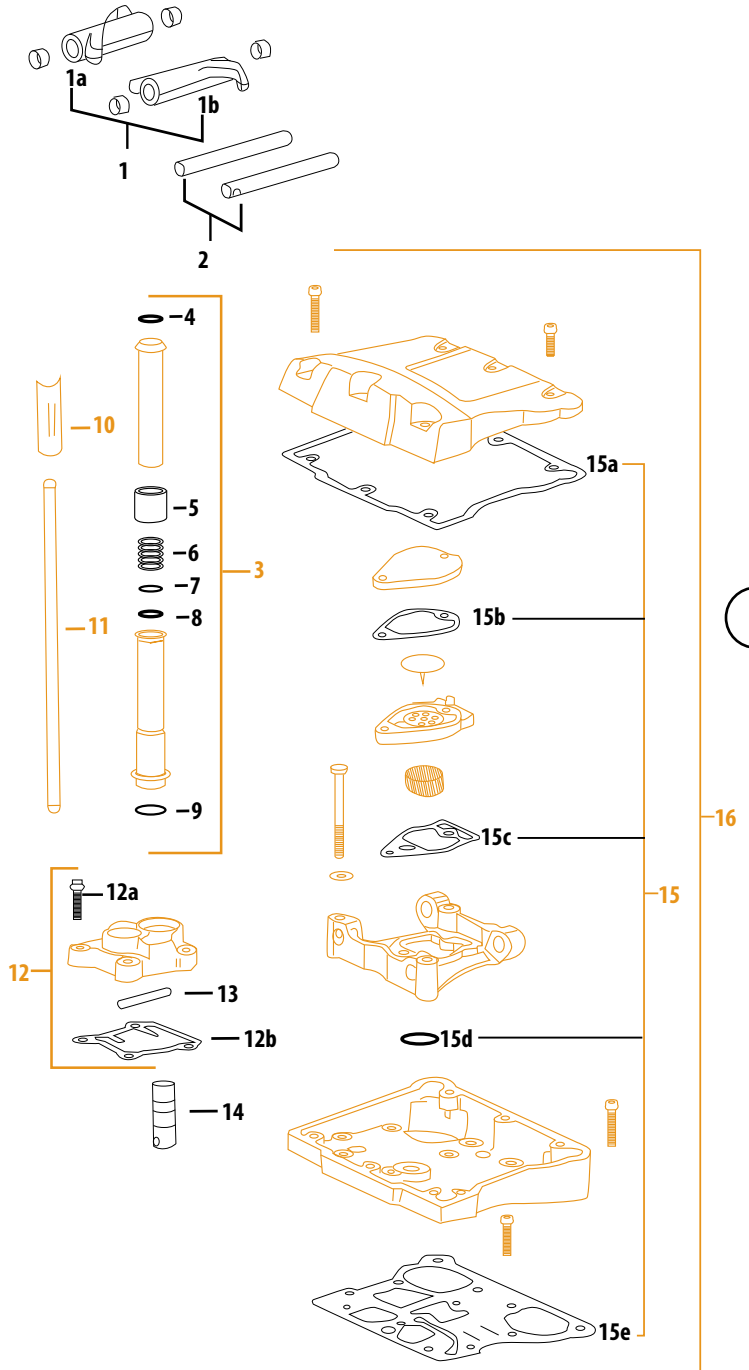
Parts for
Flatheads

Index
Cross Reference

Harley-Davidson® Twin Cam 88®, 96®, 103™ Models

ROCKER ARM & PUSHROD STOCK REPLACEMENT PARTS FOR HARLEY-DAVIDSON® TWIN CAM 88®, 96®, & 103™

- 1- Rocker Arms, Non-Roller, 1.625:1 Ratio, 8620, 1984-up bt (Set of 4) **900-4119A**
 - a. Rocker Arm Assembly, FI/RE, Non-Roller, 1.62 (H-D 17360-83A) each **900-4119RA**
 - b. Rocker Arm Assembly, FE/RI, Non-Roller, 1.62 (H-D 17375-83A) each **900-4119FA**
- 2- Shaft, Set, Rocker Arm, 1984-up bt (H-D 17611-83) (Set of 4) **90-4036**
- 3- Pushrod Cover, Kit, Chrome, 1999-up bt* **106-1340**
**Requires #10 to complete installation*
Pushrod Cover Kit Includes #4-9
- 4- O-ring, (-209), .687" ID x .937" OD, ® (H-D 11293) each **50-8039**
10 pack..... 93-4110
- 5- Cap, Pushrod Cover, 1936-up bt, 1957-'90 xl (H-D 17945-36B)..... **93-4017**
- 6- Spring, Pushrod Cover Cap, .080" Wire, .730" x .890" x .925", Steel, 1936-up bt (H-D 17947-36) **93-4018**
- 7- Washer, Flat, .715" x .950" x .031", Steel (H-D 6762B) each **50-7131**
10 pack..... 50-7136
- 8- O-ring, Middle, Pushrod Cover, .687" ID x .875" OD, Black (H-D 11132A) each **50-8038**
10 pack..... 93-4111
- 9- O-ring, Bottom, Pushrod Cover, .875" ID x 1.062" OD, (H-D 11145A) each **50-8037**
10 pack..... 93-4112
- 10- Cover Keeper, Set, Pushrod, 2.500", Chrome (Set of 4) **93-4100**
- 11- Pushrod, Set, Stock, Steel, 1999-up bt
*Standard Adjustable** 93-5096*
*Quickee Adjustable** 93-5122*
Timesaver Adjustable 4-0031
***Requires #3 and #10 to complete installation*
- 12- Tappet Cover, Set, Stock Style, 1999-up bt
Polished Billet..... 33-5601
Chrome Billet..... 106-3883
Tappet Cover Set Includes:
 - a. Screw, SHCS, w/ Flat Washer, 1/4-20 x 1", Zinc, ASTM A574-92A (H-D 4741A) each **50-0092-S**
4 pack..... 50-0092P
10 pack..... 50-0154
 - b. Gasket, Tappet Cover, 1999-up bt (H-D 18635-99B) each **33-5303-S**
2 pack..... 33-5303-2
10 pack..... 33-5615
- 13- Pin, Dowel, .250" x .750", Alloy (H-D 18535-99) each **50-8195-S**
2 pack 50-8195
- 14- Tappet, Set, Hydraulic, 1999-up bt (H-D 18538-99B) (Set of 4) **33-5350**
Crane Roller Tappet, each..... 3-2200
- 15- Gasket, Kit, Rocker Cover, 1999-'10 bt (includes gaskets for 2 rocker covers) **90-4097**
Gasket Kit Includes:
 - a. Gasket, Rocker Cover, Steel, 1999-up bt (H-D 17386-99A) each..... **90-4096-S**
 - b. Gasket, Breather Cover, Stock Pattern, Paper, 1999-'10 bt (H-D 17591-99) each **90-4077**
 - c. Gasket, Breather Baffle, Stock Pattern, Paper, 1999-'10 bt (H-D 17592-99) each **90-4078**
 - d. O-ring, (-114), .625" ID x .937" OD, ® (H-D 11270) each **50-8033**
 - e. Gasket, Rocker Cover, 1999-up bt (H-D 16719-99B) each **90-4071-S**
2 pack 90-4071
10 pack..... 90-4099
- 16- Rocker Box, Kit, Chrome, Die Cast, 4 1/8" 1984-'99 bt, 1999-up bt **90-4110**

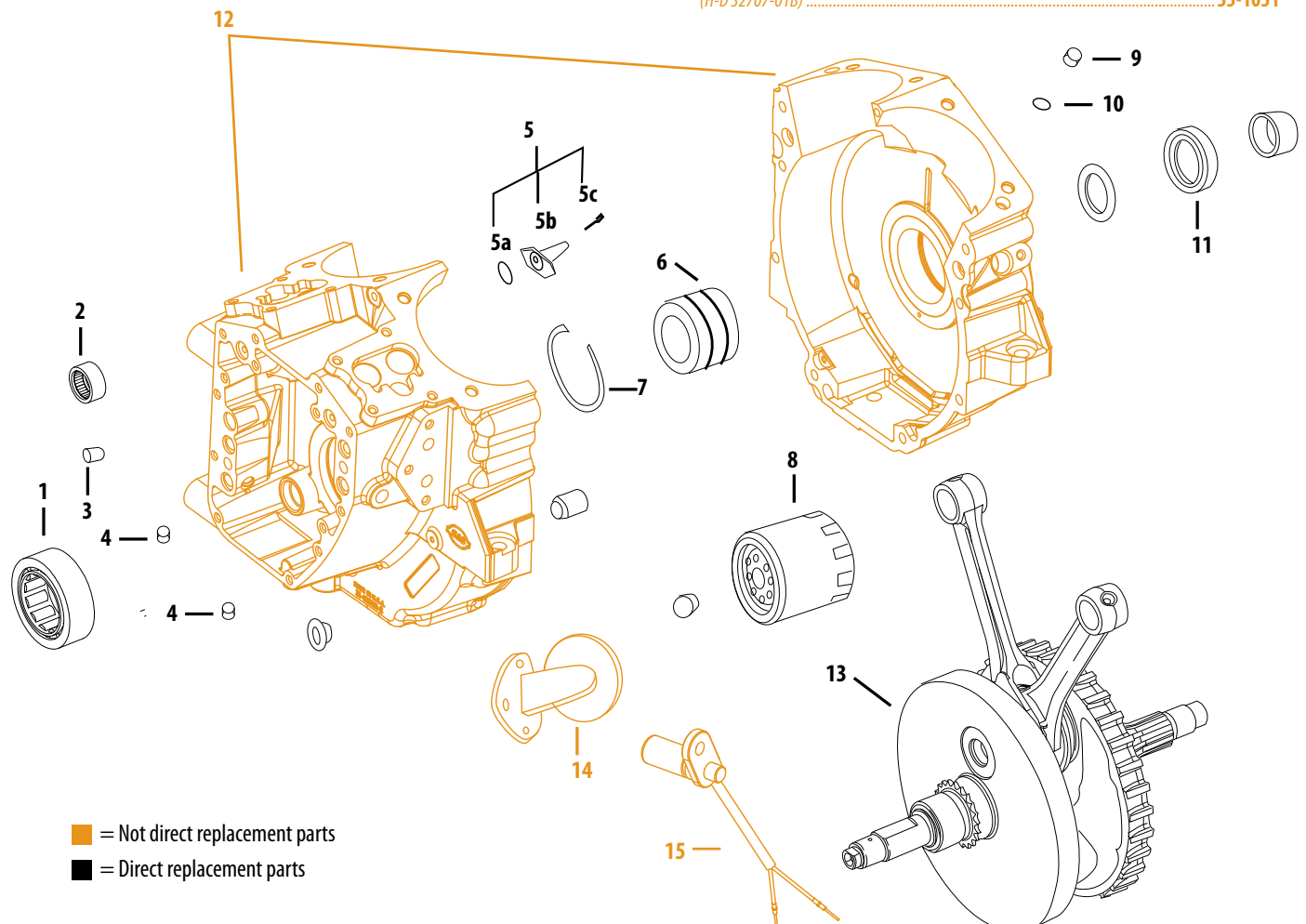


■ = Not direct replacement parts
 ■ = Direct replacement parts

Parts for Twin Cam 88®, 96®, 103™
 Parts for Evolution®
 Parts for Sportster®
 Parts for Shovelheads
 Parts for Panheads
 Parts for Knuckleheads
 Parts for Flatheads
 Index
 Cross Reference

CRANKCASE & OIL FILTER STOCK REPLACEMENT PARTS FOR HARLEY-DAVIDSON® TWIN CAM 88®, 96®, & 103™

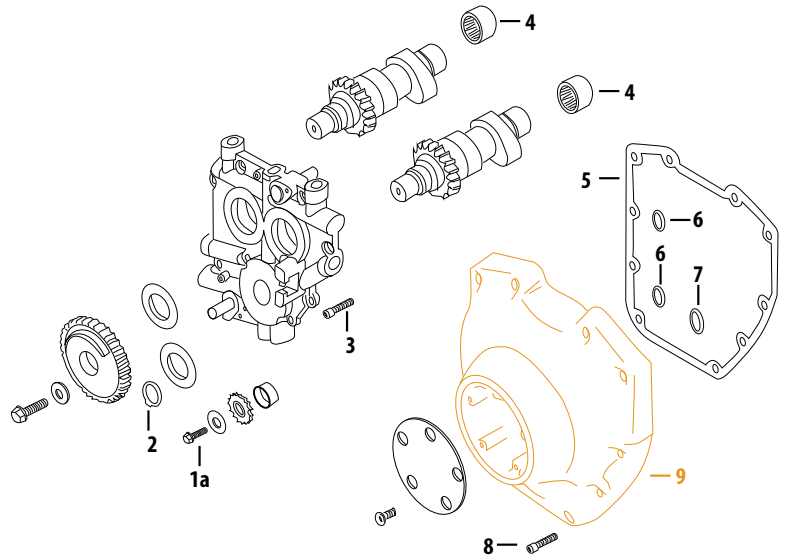
1- Bearing, Right, Main, S&S® Crankcases 2000-up Bal bt, 2003-up A motor bt (H-D 24604-00D) each.....	31-4085	9- Pin, Dowel, .437" x .610", Steel (H-D 16595-99A) each.....	50-8177
2- Bearing, Assembly, Inner, Needle, Cam 1999-2006 bt except 2006 Dyna®, .875" x 1.125" x .500" (H-D 9198) each.....	31-4080	4 pack.....	50-8177-4
2006 Dyna®, 2007-up bt, 1.0" x 1.25" x .500" (H-D 9215) each.....	31-4199-5	10 pack.....	50-8179
2 pack.....	31-4499	10- O-ring, (-014), .500" ID x .625" OD (H-D 11273) each.....	50-8032
3- Pin, Dowel, .275" x .397", Steel (H-D 16589-99A) each.....	50-8148-5	10 pack.....	50-8130
4- Plug, Pipe, ¾ Taper, ¼-18 NPTF x .460", Steel (H-D 765) each.....	50-8330	11- Seal, Left, Main Bearing, 1.750" x 2.507" x .3130", 1970-up bt (H-D 12068) each.....	31-4035
5- Jet, Kit, Piston Cooling, 1999-up bt, 2 Pack (H-D 22371-99).....	31-2026	12- Crankcase, Assembly, Stock Bore, bt, Alternator, 1999-2006 bt* (except 2006 Dyna®) Silver.....	106-4039
Jet Kit Includes:		Black.....	31-0172
a. O-ring, (-014), .500" ID x .625" OD (H-D 11140) each.....	50-8032	*Requires oil line installation kit	
10 pack.....	50-8130	1999-2006 bt FLT models (except 2006 Dyna®).....	31-0425
b. Jet, Assembly, Piston Cooling, 1999-up bt (H-D 22307-99) each.....	31-2025B	1999-'05 bt Dyna® models.....	31-0424
c. Screw, Torx Panhead, 8-32 x ¾", Steel (H-D 68042-99) each.....	50-0054-5	13- Flywheel, Assembly, 4" Stroke, 8¼" Diameter, Balanced Twin Cam 88® 1999-'06 bt A motor (except '06 Dyna® (H-D 23957-99B).....	32-2293
6- Bearing, Assembly, Left, Main, Timken® 1999-'02 bt (H-D 9028) each.....	31-4013	Twin Cam 88B™, 1999-2006 bt w/ Balancer (H-D 23971-03).....	32-2241
7- Retaining Ring, Internal, 2.731" x .031" x .158", Steel (H-D 35114-02) each.....	50-8160-5	Twin Cam 96® 2006 Dyna®, 2007-up bt A motor (H-D 23729-07B).....	32-2310
8- Filter, Oil, 1999 - up Chrome (H-D 63798-99A) each.....	31-4104	Twin Cam 96B™, 2007-up bt w/ Balancer (H-D 23912-07B).....	32-2311
Case (12 pack).....	310-0242	14- Bracket, Assembly, Oil Filter, 1999-up bt Polished.....	31-6510
Black (H-D 63731-99A) each.....	31-4103	Chrome.....	106-3884
Case (12 pack).....	310-0241	15- Sensor, Kit, Crank Position, w/2 pin connector, 48" wire, 1984-2007 bt (H-D 32707-01B).....	55-1051



Harley-Davidson® Twin Cam 88®, 96®, 103™ Models

CAMSHAFTS & CAM COVER STOCK REPLACEMENT PARTS FOR HARLEY-DAVIDSON® TWIN CAM 88®, 96®, & 103™

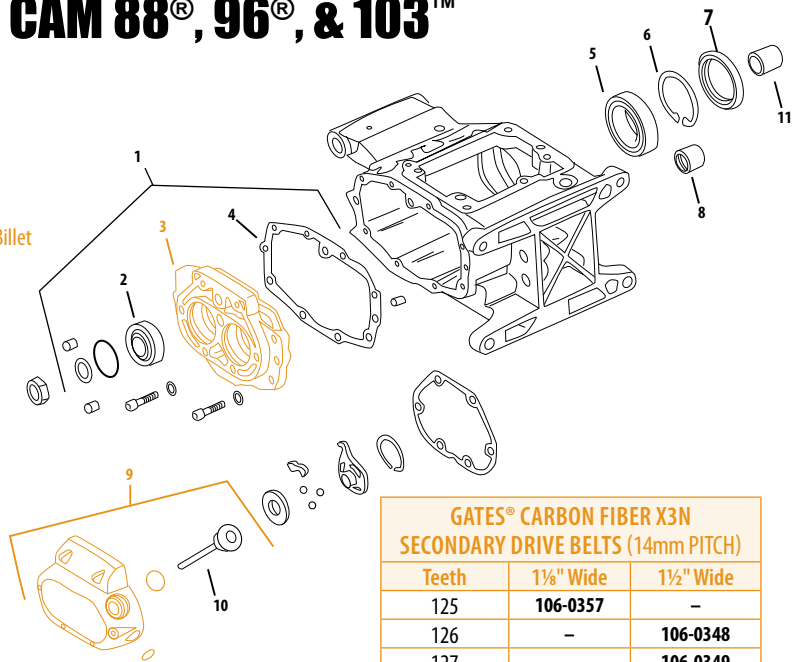
- 1- Screw and Washer (H-D 25566-06)
 - 1a. Screw, HHC, Flanged, Gr8, 5/16-18 x 3/4", Black, Steel50-0100
- 2- Retaining Ring, External, Tru-arc, .722" x .042", Steel, SAE 1060-1090 (H-D 11461).....50-8061
- 3- Screw, SHCS, 1/4-20 x 1", Zinc, ASTM A574-92A (H-D 4741A).....50-0084
10 pack.....50-0244
- 4- Bearing, Assembly, Inner, Needle, Cam, .875" x 1.125" x .500"
 - 1999-2006 bt except 2006 Dyna® (H-D 9198) each.....31-4080
 - 2006 Dyna and 2007-up bt (H-D 9215) each.....31-4199-5
 - 2 pack.....31-4499
- 5- Gasket, Gearcover, 1999-up bt (H-D 25244-99A) each31-2032-5
10 pack.....31-2063
- 6- O-ring, (-110), .375" ID x .562" OD, ® (H-D 11301) each50-8066-5
10 pack50-8066
- 7- O-ring, (-209), .687" ID x .937" OD, ® (H-D 11293).....50-8039
10 pack.....93-4110
- 8- Screw, SHCS, 1/4-20 x 1 1/4", Chrome, ASTM A574-92A (H-D 4741) each 50-0257-5
- 9- Cover, Cam Chest, 1999-up bt
 - Polished.....31-6516
 - Chrome.....106-3774



■ = Not direct replacement parts
■ = Direct replacement parts

TRANSMISSION HOUSING STOCK REPLACEMENT PARTS FOR HARLEY-DAVIDSON® TWIN CAM 88®, 96®, & 103™

- 1- Trap Door, Kit, Transmission, 5 Speed, Natural, Billet
 - 1999-'05 Dyna®, 1999-'06 Softail®56-1027
- 2- Bearing, Ball, Transmission Countershaft, Left Hand, 20mm x 47mm x 14mm, 1991-'06 bt 56-3026
- 3- Trap Door, Transmission, 5 Speed Rigid Mount, w/ Starter Mounting Tab, Natural, Billet
 - 1999-'05 Dyna®, 1999-'06 Softail® 56-1025
- 4- Gasket, Trap Door, Transmission, 5 Speed (H-D 35652-79A) 56-1026
- 5- Bearing, Ball, Transmission Mainshaft, 45mm x 85mm x 19mm 56-1281
- 6- Retaining Ring, Internal, 3.734" x .109", Carbon Steel, SAE 1060-1090 (H-D 11161) each 50-8051
- 7- Seal, Transmission Output Shaft, 2.255" x 3.388" x .250, 1994-'06bt (H-D 12067A)..... 56-3033
- 8- Bearing, Needle, Transmission Countershaft, 1984-'06 bt (H-D 8977)..... 56-3031
- 9- Cover, Transmission Side, Chrome, 1999-'06 bt & all FXR (except 2006 Dyna®)
 - Cable Actuated..... 106-4035
 - Hydraulic Actuated 106-3885
- 10- Dipstick, Oil, Packaged (H-D 37071-87 & 37075-87) 56-5132
- 11- Race, Inner Primary, Transmission Mainshaft,
 - 1991-'06 (except '06 Dyna®) each 56-5089



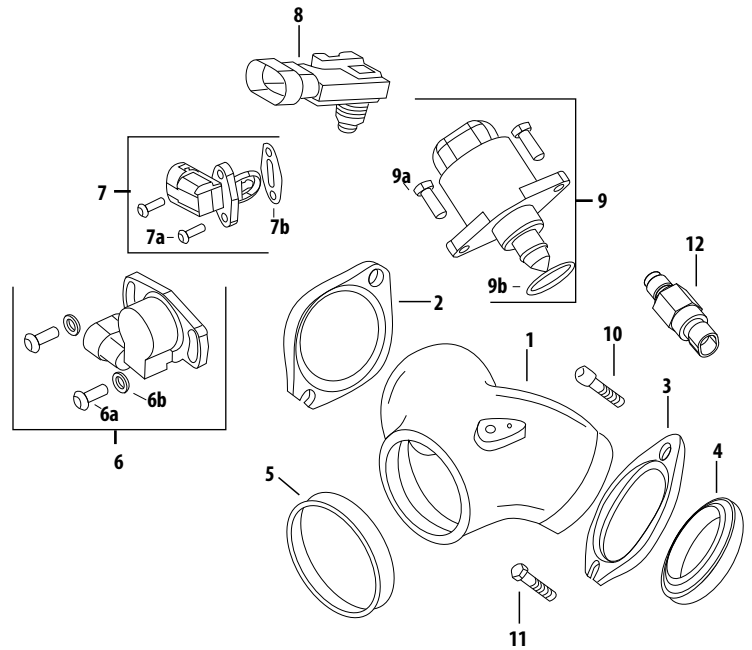
GATES® CARBON FIBER X3N SECONDARY DRIVE BELTS (14mm PITCH)		
Teeth	1 1/8" Wide	1 1/2" Wide
125	106-0357	-
126	-	106-0348
127	-	106-0349
128	106-0358	106-0350
130	106-0359	106-0351
132	106-0360	106-0352
133	106-0361	106-0353
135	106-0362	106-0354
136	-	106-0355
139	106-0363	106-0356
149	106-1338	-
156	-	106-2827

■ = Not direct replacement parts
■ = Direct replacement parts

Parts for Twin Cam 88®, 96®, 103™
 Parts for Evolution®
 Parts for Sportster®
 Parts for Shovelheads
 Parts for Panheads
 Parts for Knuckleheads
 Parts for Flatheads
 Index Cross Reference

MANIFOLD STOCK REPLACEMENT PARTS FOR HARLEY-DAVIDSON® TWIN CAM 88®, 96®, & 103™

- 1- Manifold, S&S® Ports, 1 7/8", #410, Natural, 1999-'05 bt *
CV Carb (H-D 27613-99)16-1722
* Requires #4 due to larger port
- 2- Flange, Rear, Manifold, 1984-2005 bt (H-D 27010-86A) each16-0233
5 pack16-0601
- 3- Flange, Front, Manifold, 1984-2005 bt (H-D 27009-86A) each16-0232
5 pack16-0600
- 4- Seal, Intake, 1984-up bt
For Stock Heads (H-D 26995-86A & 26992-99) each16-0236
10 pack16-0244
For S&S Manifolds, each16-0235
10 pack16-0243
- 5- U-ring, Manifold, 40mm Stock CV/42mm Mikuni® (H-D 27002-89)16-0242
- 6- Sensor, Kit, Throttle Position, VFI (H-D 27271-95)55-5058
a. Screw, Torx, M4 x 12mm, Zinc, Steel50-0358-S
b. Washer, Flat, 4mm x 9mm x .9mm, Stainless Steel50-7145-S
- 7- Sensor, Kit, Temperature, Intake Air (H-D 27270-95)55-5041
a. Screw, Torx, M3 x 10mm, Zinc, Steel50-0357-S
b. Gasket, Air Temperature Sensor, S&S™ VFI16-5009-S
- 8- Sensor, MAP, (H-D 32316-99)55-5057
- 9- Motor, Kit, Idle Air Control, EFI (H-D 27628-01)55-5085
a. Screw, HH, 10-24 x 1/2", Zinc, Steel50-0356-S
b. O-ring, (-018), .739" ID x .879" OD, "50-8149-S
- 10- Screw, SHC, 5/16-18 x 1", Zinc, ASTM A574-92A50-0101
- 11- Bolt, Hex Head, Gr5, 5/16-18 x 1", Zinc50-0108
- 12- Sensor, Head Temperature, 1999-up bt (H-D 32446-99)55-1014

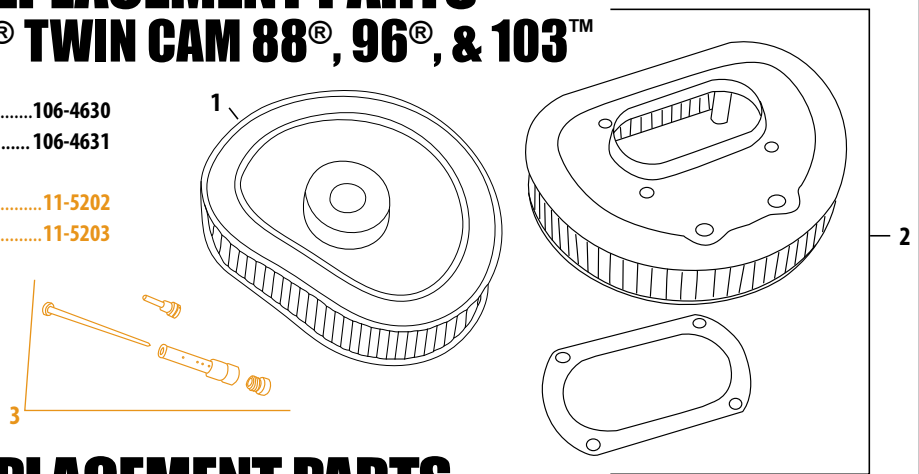


■ = Not direct replacement parts
■ = Direct replacement parts

AIR FILTER STOCK REPLACEMENT PARTS FOR HARLEY-DAVIDSON® TWIN CAM 88®, 96®, & 103™

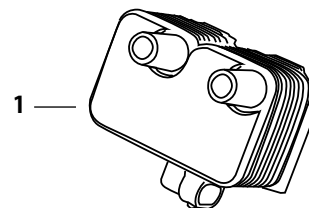
- 1- Filter, Air, Carb/EFI, 2001-'08 Softail® EFI, 2002-'07 (H-D 29461-99)106-4630
- 2- Filter, Air, Packaged, 1999-2001 EFI (H-D 29462-99)106-4631
- 3- Jet, Kit, CV Carb*
1999-2006 bt11-5202
1999-2006 bt11-5203
*Assorted popular jets, needles, and emulsion tabs.
For more information, see S&S instruction sheet 51-1177.

■ = Not direct replacement parts
■ = Direct replacement parts



IGNITION STOCK REPLACEMENT PARTS FOR HARLEY-DAVIDSON® TWIN CAM 88®, 96®, & 103™

- 1- Ignition Coil, 1999-'06 carbureted bt (H-D 31655-99)8-3010

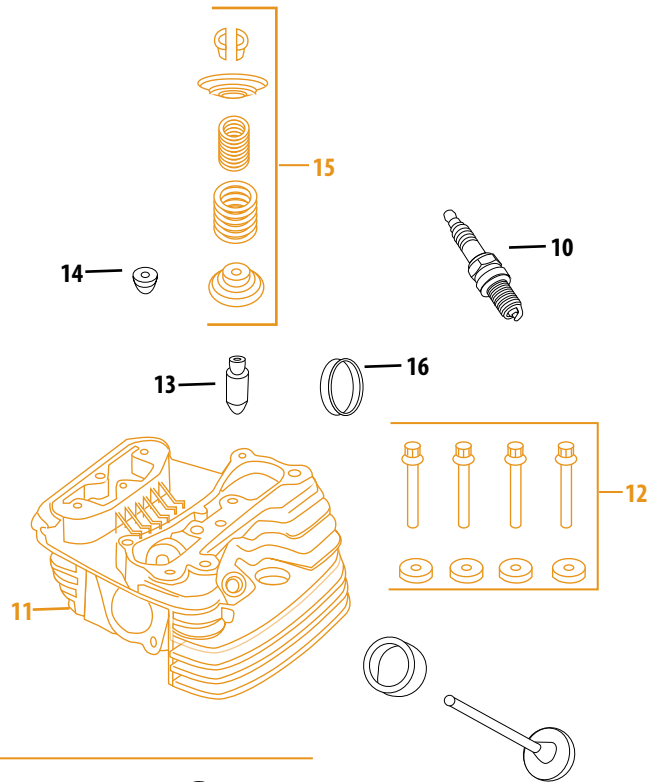


Harley-Davidson® Evolution® Models

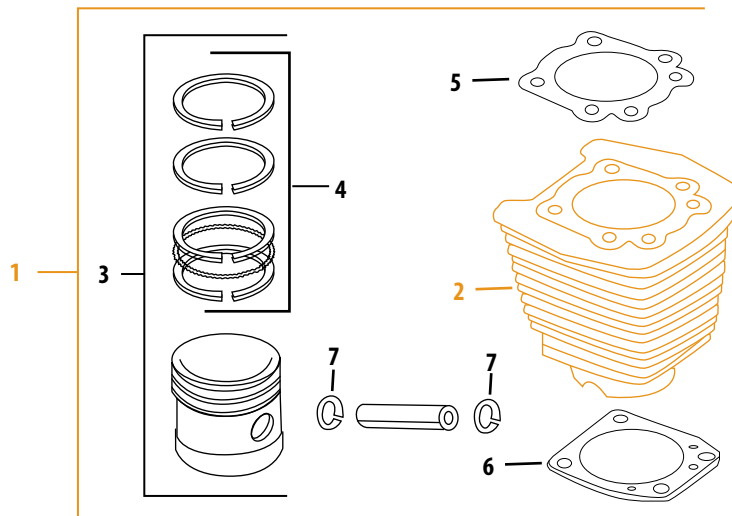
CYLINDER, HEAD & VALVE STOCK REPLACEMENT PARTS FOR HARLEY-DAVIDSON® EVOLUTION® MODELS

1- Cylinder, Kit, 3½" Bore, 5.550", 4½" Stroke, 920-0015, 1984-'99 bt <i>Cylinder kit includes pistons, rings and gaskets</i>	
Natural (H-D 16510-83A).....	910-0179
Black (H-D 16512-86A).....	910-0182
2- Cylinder, 3½" Bore, 5.550", 1984-'99 bt (Cylinders only) not honed	
Natural, Set.....	91-7210
Front only.....	91-7210F
Rear only.....	91-7210R
Black, Set.....	91-7710
Front only.....	91-7710F
Rear only.....	91-7710R
3- Piston, Set, 3½", Std, 80", FD, .792" WP, 1984-'99 bt (Set includes rings)	
Standard (H-D 21940-83).....	920-0015
+ .010" (H-D 21942-83).....	920-0026
+ .020" (H-D 21943-83).....	920-0027
4- Ring, Set, Piston, 3½", Moly Faced, .0625, .0625, .1525, 1984-'99 bt	
Standard (H-D 21920-83).....	94-2216X
+ .010" (H-D 21922-83).....	94-2217X
+ .020" (H-D 21923-83).....	94-2218X
5- Gasket, Head, .045", 3½", Graphite, 304 SS, 1984-'99 bt (H-D 16770-84D)	
each.....	93-1011-S
10 pack.....	93-1024
6- Gasket, Base, .018", 3½", Graphite	
1986-1999 bt, 1986-2003 xl (H-D 16774-86D) each.....	93-1038-S
1984-'99 bt (H-D 16777-83A) each.....	93-1035-S
10 pack.....	93-1063
7- Wristpin Keeper, C-Clip, .791" / .792" (H-D 22589-83A) each.....	94-9254-S
2 pack.....	94-9254-2
4 pack.....	94-9254
8- Stud, Cylinder Base, ¾-16 UNC x 6.680", 1984-'99 bt (H-D 16837-85C) each.....	31-2321-S
8 pack.....	31-2321
9- Pin, Dowel, .557" x .500", Black, Steel (H-D 16573-83) each.....	50-8023
10 Pack.....	50-8109
10- Spark Plug, Resistor, 14mm, 2 Pack (H-D 32311-83).....	55-1323
11- Performance Replacement Head Kit, Stock Bore, .585" SWD Steel, 82cc, 1984-'99 bt	
Natural (H-D 16690-92B, 16691-92B).....	106-3466
Wrinkle Black (H-D 16692-95, 16696-92A).....	106-4570

12- Head Bolt, Kit, 12 pt, 1984-up bt.....	93-3010
13- Valve Guide, Intake/Exhaust, Standard, Cast Iron, 1984-up bt (H-D 18112-92)	
Standard (H-D 18112-92) each.....	90-2210
+ .001" (H-D 18130-83C) each.....	90-2211
+ .002" (H-D 18133-83A) each.....	90-2212
+ .003" (H-D 18131-83C) each.....	90-2213
14- Seal, Valve Guide, 1984-up bt (H-D 18001-83B) each.....	90-2008
8 pack.....	90-2158
15- Spring, Kit, Valve, SDW, Steel, .585", 1984-'99 bt.....	90-2069
16- Gasket, Exhaust, Stainless Steel, 1984-'99 bt (H-D 65324-83B)	
each.....	106-5029
10 pack.....	93-1072



■ = Not direct replacement parts
 ■ = Direct replacement parts

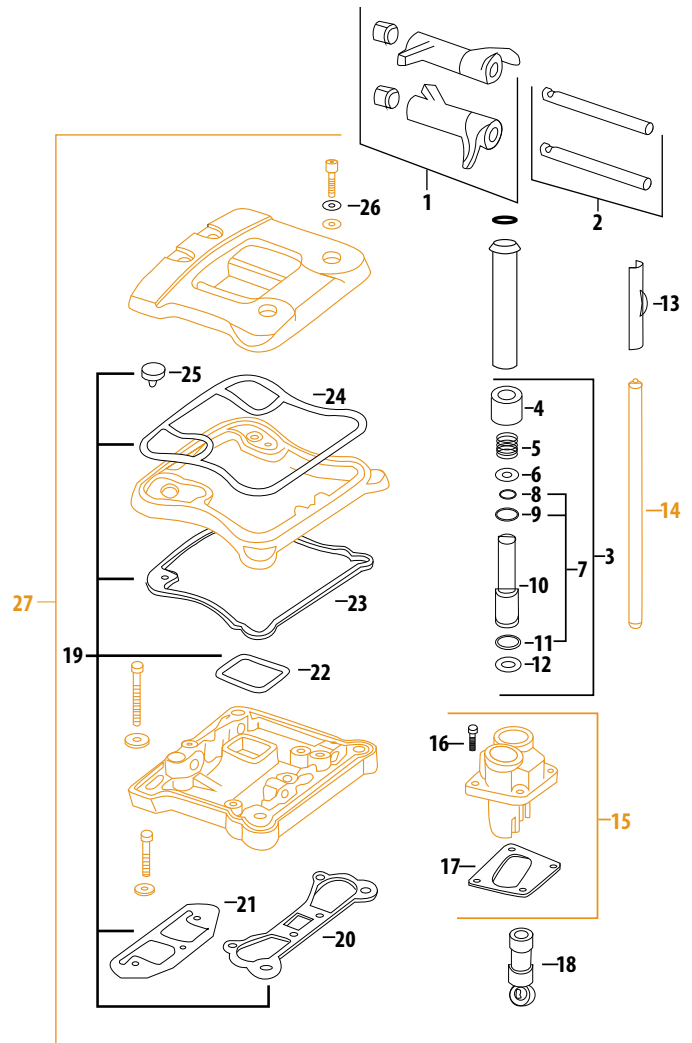


Parts for Twin Cam 88®, 96®, 103™
 Parts for Evolution®
 Parts for Sportster®
 Parts for Shovelheads
 Parts for Panheads
 Parts for Knuckleheads
 Parts for Flatheads
 Index
 Cross Reference

ROCKER ARM & PUSHROD STOCK REPLACEMENT PARTS FOR HARLEY-DAVIDSON® EVOLUTION® MODELS

1- Rocker Arm, Set, Non-Roller, 1.625:1 Ratio, 8620, 1984-up bt	
Set	900-4119A
Rear exhaust/front intake (H-D 17360-83A)	900-4119RA
Front exhaust/rear intake (H-D 17375-83A)	900-4119FA
2- Shaft, Set, Rocker Arm, Stock Replacement, 1984-up bt (H-D 17611-83)	
each	90-4006
4 pack	90-4036
3- Pushrod Cover, Kit, Chrome, 1984-'99 bt	93-4039
4- Cap, Pushrod Cover, 1936-up bt (H-D 17945-36B)	93-4017
5- Spring, Pushrod Cover Cap, .080" Wire, .730" x .890" x .925", Steel, 1936-up bt (H-D 17947-36)	93-4018
6- Washer, Flat, .715" x .950" x .031", Steel (H-D 6762B) each	50-7131
10 pack	50-7136
7- O-ring, Kit, Pushrod Cover, 1984-'99 bt (Includes #8, 9, 11)	93-4022
8- O-ring, (-209), .687" ID x .937" OD, (H-D 11157) each	50-8039
5 pack	50-8200
10 pack	93-4110
9- O-ring, (-115), .687" ID x .875" OD, Black, Nitrile (H-D 11132) each	50-8038
10 pack	93-4111
10- Pushrod Cover, Bottom, Chrome Plated, Steel, 1984-up bt, 1986-'90 xl (H-D 17938-83)	93-4015
11- O-ring, (-118), .875" ID x 1.062" OD, (H-D 11145) each	50-8037
10 pack	93-4112
12- Washer, .903" x 1.053" x .034", Light Oil, Cold Rolled Steel (H-D 6737)	50-7150
13- Pushrod Cover, Top, Natural, Aluminum, 1966-up bt (H-D 17935-79B)	93-4016
Cover Keeper, Pushrod, 3.330", Chrome (H-D 17950-66) each	93-4035-S
4 pack	93-4106
14- Pushrod, Set, Stock, Steel, 1984-'99 bt	
Standard Adjustable	93-5076
Quickee Adjustable	93-5120
15- Tappet Guide, Set, w/o Logo, Stock Style, 1984-'99 bt (Includes #16 & 17)	
Billet	
Polished	106-6459
Chrome	106-3005
Cast	
Black	33-5324
Natural	33-5301
16- Screw, 12 pt, 1/4-20 x 7/8", Chrome, Steel (H-D 3770) each	50-0246-S
4 pack	50-0246P
17- Gasket, Tappet Guide, 1948-'99 bt (Set: Front & Rear)	33-5302
10 pack, set	33-5313
Rear (H-D 18633-48D) each	33-5302R
10 pack, rear	33-5313R
Front (H-D 18634-48C) each	33-5302F
10 pack, front	33-5313F
18- Tappet, Set, Hydraulic, 1984-'99 bt (H-D 18523-86A) Set of 4	33-5352
Crane Cams Tappet (H-D 18523-86A) each	3-2050
19- Gasket, Kit, Rocker Cover, Rubber, 1992-'99 bt	90-4047
Gasket kit includes #20-25:	
20- Gasket, Bottom Left, Rocker Cover, 1984-'99 bt (H-D 16779-84B) each	90-4059
10 pack	90-4063
21- Gasket, Bottom Right, Rocker Cover, 1984-'99 bt (H-D 16778-84A) each	90-4058
10 pack	90-4062
22- Gasket, Middle Inner, Rocker Cover, Rubber, 1984-'99 bt (H-D 17358-84A)	90-4042

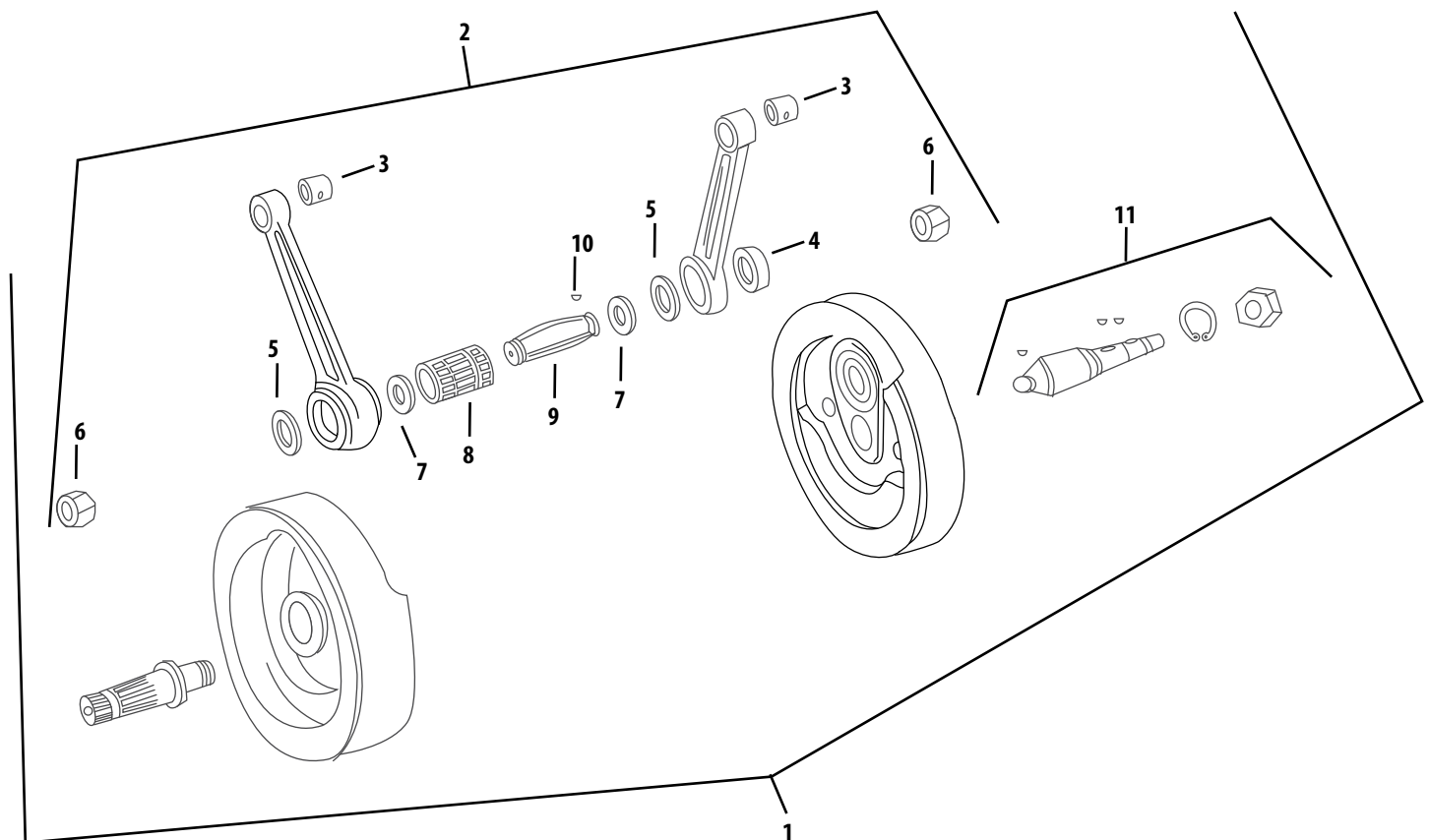
23- Gasket, Middle Outer Rocker Cover, Rubber 1984-'94 bt	90-4044
24- Gasket, Rocker Cover, Upper, 1992-'93 bt	90-4045
25- Seal, Umbrella Valve Cover (H-D 26856-89)	90-4030
26- Washer, Flat, .250" x .625" x .031", Copper (H-D 63858-49) each	50-7018
27- Rocker Box Kit, Billet	
Chrome 1984-'99 bt	90-4050
Natural 1984-'99 bt	90-4055
Rocker Box Kit, Die Cast Chrome 1984-'99 bt	90-4095



= Not direct replacement parts
 = Direct replacement parts

FLYWHEEL STOCK REPLACEMENT PARTS FOR HARLEY-DAVIDSON® EVOLUTION® MODELS

- 1- Flywheel, Assembly, 4¼" Stroke, 8½" Diameter
 Carbureted, Balanced 1984-'99 bt (H-D 23906-87A, 23906-90, 23906-93B) **32-2239**
 EFI, Notched, Balanced 1995-'98 bt (H-D 23941-95) **32-2145**
Flywheel Assembly Includes #2-11
- 2- Connecting Rod, Set, Heavy Duty, IBC, .792" WP, , 7.440", 1984-'99 bt
 (H-D 24281-83)..... **34-7013**
Connecting Rod Set Includes #3-10
- 3- Bushing, Wristpin, .767" x .895" x 1.077", Bronze, 1941-'99 bt (H-D 24334-36) ... **34-4007**
- 4- Race, Front, Connecting Rod, 1941-'99 bt (H-D 24356-36A) **34-4005**
- 5- Race, Rear, Connecting Rod, 1941-'99 bt (H-D 24345-36A)..... **34-4006**
- 6- Nut, HH, 1-20 UNEF-3B x .346", Black, Steel, 4140 (H-D 23969-83) **34-2104**
- 7- Washer, Flywheel, Thrust, w/ 1.250" Crankpin, 1.415" x 2.329" x .065", Phosphor Bronze
 (H-D 6506)..... **32-2019**
- 8- Bearing, Assembly, Connecting Rod, 1.25", 1941-'99 bt (H-D 24346-87A)..... **34-4010**
- 9- Crankpin, Assembly, Tapered, 1.249", 1981-up bt (H-D 23961-80A)..... **34-2102**
- 10- Key, Woodruff, .125" x .375" x .374" (H-D 11218) each..... **50-8222-5**
 5 pack..... **50-1009**
- 11- Pinion Shaft, Assembly, Tapered, S&S® Flywheels, 1984-86 bt
 Standard..... **33-2027**
 +.001" **33-2028**



Parts for Twin Cam 88®, 96®, 103™
 Parts for Evolution®
 Parts for Sportster®
 Parts for Shovelheads
 Parts for Panheads
 Parts for Knuckleheads
 Parts for Flatheads
 Index Cross Reference

CRANKCASE REPLACEMENT PARTS FOR STOCK HARLEY-DAVIDSON® EVOLUTION® MODELS

1- Crankcase Assembly, Stock Bore, Alternator (includes parts #2-#17)

Natural

- 1984-91 bt (H-D 24469-83A) **31-0000**
- 1992-99 bt (H-D 24469-83A) **31-0005**

Wrinkle Black

- 1984-91 bt (H-D 34473-85A) **31-0052**
- 1992-99 bt (H-D 24569-95) **31-0055**

2- Seal, Left, Main Bearing, 1.750" x 2.507" x .3130", 1970-up bt (H-D 12026B) **31-4010**

3- Spacer, Sprocket Shaft Drive Sprocket, 1970-up bt

- 35 Amp Alternator (H-D 24002-70) **31-4011**
- 45 Amp Alternator (H-D 24008-97) **31-4033**

4- Bearing, Assembly, Left, Main (H-D 9028) **31-4013**

5- Spacer, Left, Main Bearing, Steel 1969-99 bt

- .100" (H-D 9124) **31-4071**
- .102" (H-D 9125) **31-4072**
- .104" (H-D 9126) **31-4073**
- .106" (H-D 9127) **31-4074**
- .108" (H-D 9128) **31-4075**
- .120" (H-D 9134) **31-4076**

6- Stud, Cylinder Base, 6.68", Black Oxide, 1984-'99 bt (H-D 16837-85C)

- each **31-2321-S**
- 8 pack **31-2321**

7- Pin, Dowel, .250" x .500", Steel (H-D 358) each **50-8022**

- 2 pack **50-8022-2**
- 5 pack **50-8105**

8- Bearing, Assembly, Right, Main

- Small/Medium, White (H-D 24626-87A) **31-4005**
- Small, Green (H-D 24628-87A) **31-4016**
- Large, Red (H-D 24641-87A) **31-4017**
- Medium/Large, Blue (H-D 24643-87A) **31-4018**

9- Retaining Ring, External, Pinion Bearing, 1.160" x 1.480" x .046", Carbon Steel,

- SAE 1060-1090 (H-D 11177A) each **50-8057**
- 5 pack **50-1004**

10- Race, Right, Main Bearing

- Standard (H-D 24599-93, 24599-58A) **31-4004**
- + .005" (H-D 24601-58B) **31-4007**

11- Switch, Assembly, Oil Pressure, 1984-'99 bt (H-D 26661-84) **31-2016**

12- Screw, Oil Pump/Check Valve/Relief Va, Zinc, Steel (H-D 26263-80) each **31-6021**

- 5 pack **31-7005**

13- O-ring, (-013), .437" ID x .565" OD, ° (H-D 11105) each **50-8008**

- 10 pack **50-8078**

14- Spring, Crankcase Oil Screen, .040" Wire, .340" x .420" x 1.375", Music Wire (H-D 24982-70)

- each **31-2011-S**
- 10 pack **31-2058**

15- Screen, Crankcase Oil (H-D 24981-70) **31-2010**

16- Bearing, Assembly, Needle, Cam (H-D 9058) **31-4009**

17- Fitting, Hose, Straight, 1/8-27 NPTF x .500", Zinc, Steel (H-D 63533-41) **50-8115**

18- Stud, Crankcase Alignment, 5/16-24 UNF x 5.750", Zinc, Steel (H-D 3506) **31-2003**

19- Screw, HHC, Gr8, 5/16-24 x 5", Zinc, Steel (H-D 3430) **50-0119**

20- Nut, HH, 5/16-24 UNF-2B x .273", Zinc, Steel (H-D 7833) **50-5023**

- Nut, HH, 1/4-28 UNC-2B x .226", Zinc, Steel (H-D 7675, 7676, 7683) each **50-5011**
- 10 pack **50-7074**

21- Washer, Flat, .281" x .625" x .080", Zinc, Steel (H-D 6245) each **50-7021**

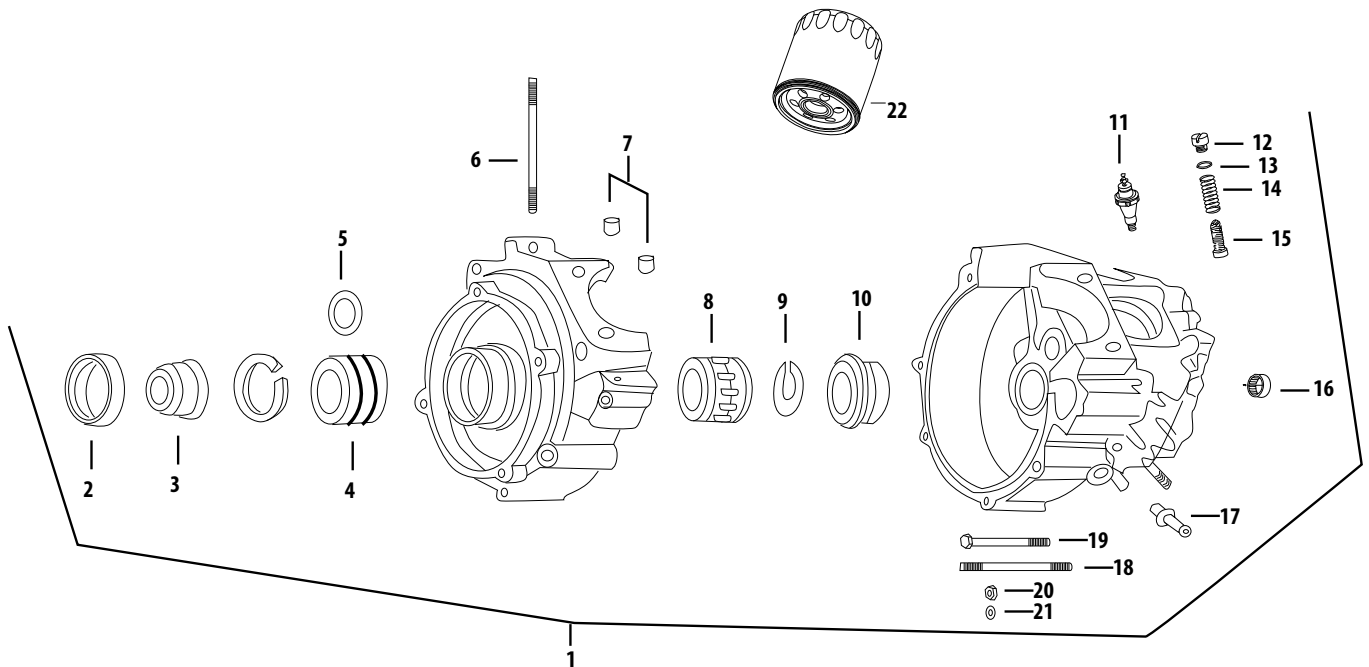
- 10 pack **50-7074**

Washer, Flat, .344" x .688" x .065", Zinc, Steel (H-D 6016, 6702) each **50-7034**

22- Filter, Oil (not included in the crankcase assembly)

- Chrome (H-D 63796-77A) **31-4102**
- Case (12 pack) **310-0240**

- Black (H-D 63810-80) **31-4101**
- Case (12 pack) **310-0239**



Parts for
Twin Cam 88, 96, 103™
Evolution®
Parts for
Sportster®
Parts for
Snowheads
Parts for
Panheads
Parts for
Knuckleheads
Parts for
Flatheads
Index
Cross Reference

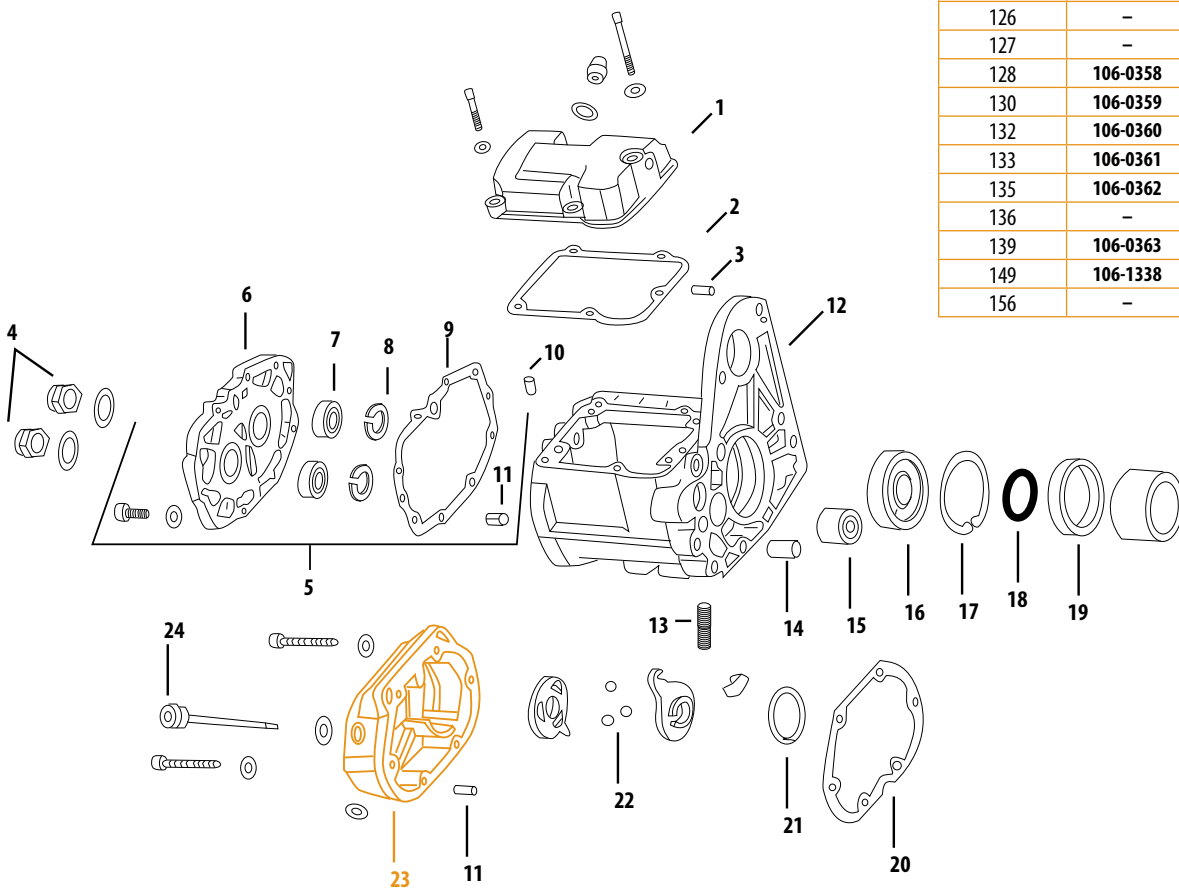
Harley-Davidson® Evolution® Models

TRANSMISSION STOCK REPLACEMENT PARTS FOR HARLEY-DAVIDSON® EVOLUTION® MODELS

- 1- Cover, Transmission Top, Chrome, Cast, 1991-'99 Softail®, 1991-2000 FLT
(H-D- 34464-86A & 34468-86A & 34468-98) **56-5115**
- 2- Gasket, Top Cover, Transmission, 1991-2006 Softail®, FLT
(H-D 34904-86D) **56-5107-S**
- 3- Pin,Dowel,.312" x 1",Steel (H-D 337)..... **50-8171**
- 4- Nut, Jam, HH, 3/4-16 UNF-2B, Steel/Nylon (H-D 35078-79)..... **56-1278-S**
- 5-Trap Door, Kit, Transmission, 5 Speed Rigid Mount w/starter mounting tab, Natural, Billet
1986-'99 bt (Includes #5-10) (H-D 35251-93B) **56-1027**
- 6- Trap Door,Natural,Billet,1986-'99 bt **56-1025**
- 7- Bearing,Ball,Transmission Countershaft,Left Hand,20mm x 47mm x 14mm,1991-'06 bt
(H-D 8998) **56-3026**
- 8- Retaining Ring,Internal,2.054" x .062",Carbon Steel (H-D 35021-89) **50-8053**
- 9- Gasket, Trap Door, Transmission, 5 Speed (H-D 35652-79A & 35653-98A) **56-1026**
- 10- Pin, Roll, .328" x .760", Zinc, Steel (H-D 634) each **50-8175**
10 pack..... **106-3175**
- 11- Pin, Roll, .392" x .320", Steel (H-D 609) **50-8173**
- 12- Transmission Case, Assembly, 5 Speed, w/ Bearings & Seals, 1989-'99 bt
Natural **56-1044**
Wrinkle Black (H-D 34732-89A & 34732-96) **56-1047**
Polished..... **56-1076**

- 13- Stud, 3/8-24 UNF, 7/16-14 ONF x 1.30, Zinc (H-D 11733) **50-8084**
- 14- Guide, Shifter Shaft, 5 Speed Rigid Mount, 1986-'99 bt (H-D 33114-79) **56-1067**
- 15-Bearing, Needle, Transmission Countershaft, 1984-'99 bt Left Hand, 1991-20
(H-D 8977)..... **56-3031**
- 16- Bearing, Ball, Transmission Mainshaft, 10 Balls, 45mm x 85mm x 19mm
(H-D 8996A)..... **56-1280**
- 17- Retaining Ring, Internal, 3.734" x .109", Carbon Steel, SAE 1060-1090
(H-D 11161)..... **50-8051**
- 18- O-ring, Quad Seal, (-031), 1.734" X 1.875", Black, Nitrile (H-D 11165) **50-8045**
- 19-Seal, Transmission Output Shaft, 2.255" x 3.388" x .250, 1994-'99 bt
(H-D 12067A) **56-3033**
- 20- Gasket, Side Cover, Transmission (H-D 36801-87C) each..... **56-5111-S**
10 pack **56-5111**
- 21- Retaining Ring, Internal HO-212 (H-D 10998) **50-8448-S**
- 22- Ball, Check Valve, .375", Stainless Steel (H-D 8873) **50-8091**
- 23- Cover, Transmission Side, Chrome (Includes #20 & #24)
Cable Actuated **106-4035**
Hydraulic Actuated **106-3885**
- 24- Dipstick, Oil, Chrome (H-D 37071-87 & 37075-87) **56-5132**

GATES® CARBON FIBER X3N SECONDARY DRIVE BELTS (14mm PITCH)		
Teeth	1 1/8" Wide	1 1/2" Wide
125	106-0357	-
126	-	106-0348
127	-	106-0349
128	106-0358	106-0350
130	106-0359	106-0351
132	106-0360	106-0352
133	106-0361	106-0353
135	106-0362	106-0354
136	-	106-0355
139	106-0363	106-0356
149	106-1338	-
156	-	106-2827



■ = Not direct replacement parts
■ = Direct replacement parts

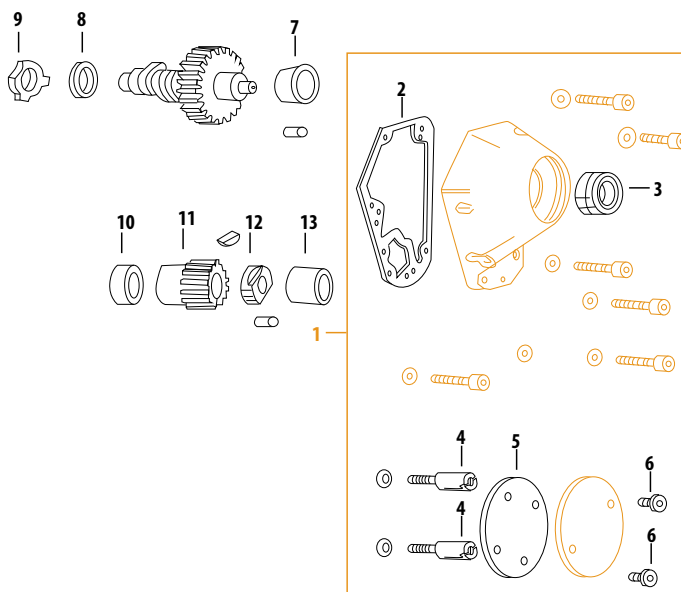
Parts for Twin Cam 88®, 96®, 103™
 Parts for Evolution®
 Parts for Sportster®
 Parts for Shovelheads
 Parts for Panheads
 Parts for Knuckleheads
 Parts for Flatheads
 Index
 Cross Reference

GEARCOVER STOCK REPLACEMENT PARTS FOR HARLEY-DAVIDSON® EVOLUTION® MODELS

1- Gearcover, Kit, Alternator, Flangeless, Billet Ignition Cover, Billet, 1993-'99 bt	
Polished, 1993-'99 bt	31-0336
Chrome, 1973-'92.....	106-4211
Polished, 1973-'92.....	31-0335
2- Gasket, Gearcover, Undersized Profile, 1970-'99 bt (H-D 25225-93B).....	31-2107
3- Seal, Gearcover Cam, 1" x 1.441" x .250", 1970-up bt (H-D 83162-51) each.....	31-4022
5 pack.....	31-7002
4- Screw, Timing Mechanism, Steel (H-D 32606-82) each.....	31-0224
2 pack.....	31-0224P
5- Gasket, Ignition Cover, 1970-'99 bt (H-D 32591-70 & 32591-80) each.....	31-0225
10 pack.....	31-0260
6- Screw, FHCS, 8-32 x 1/2", Stainless Steel (H-D 1601) each.....	50-0353-S
10 pack.....	106-3456
7- Bushing; Cam; Bronze; 1973-'92 bt (H-D 22581-70).....	31-4019
8- Cam Thrust Washer	
.050" (H-D 25550-36).....	33-5200
.055" (H-D 25551-36).....	33-5202
.060" (H-D 25552-36).....	33-5203
.065" (H-D 25553-36).....	33-5204
.070" (H-D 25554-36).....	33-5205
.075".....	33-5206
.080".....	33-5207
.090".....	33-5209
9- Washer, Cam, Lock, .062", Steel (H-D 25550-57A) each.....	33-5201
5 pack.....	33-5213

■ = Not direct replacement parts
 ■ = Direct replacement parts

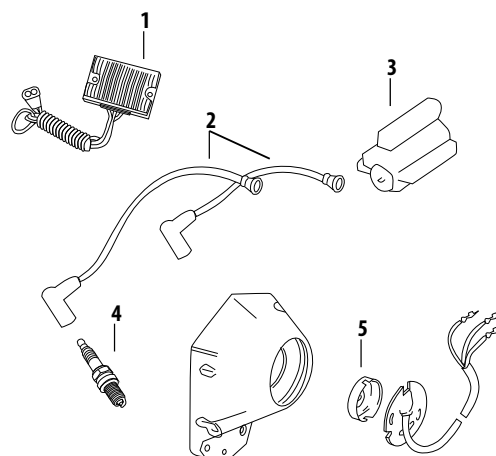
10- Spacer, Oil Pump Drive Gear, .740" x .900" x .320", Black, Steel, 1954-'89 bt (H-D 24703-54B).....	33-4289
11- Gear, Pinion, L1977-'89 bt	
Orange (H-D 24040-78).....	33-4141
White (H-D 24041-78).....	33-4142
Yellow (H-D 24042-78).....	33-4143
Red (H-D 24043-78).....	33-4144
Blue (H-D 24044-78).....	33-4145
Green (H-D 24045-78).....	33-4146
Black (H-D 24046-78).....	33-4147
12- Nut, Pinion Gear, 5/8-24 UNEF-3B LH x .375", Black, Steel, 4140 (H-D 24023-54) ..	33-4244
13- Bushing, Pinion Shaft, Bronze, 1973-'92 bt (H-D 25582-93).....	31-4031
14- Cup, Kit, Rotor, Ignition, Super Stock™ (Not Shown).....	55-1247



IGNITION SYSTEM STOCK REPLACEMENT PARTS FOR HARLEY-DAVIDSON® EVOLUTION® MODELS

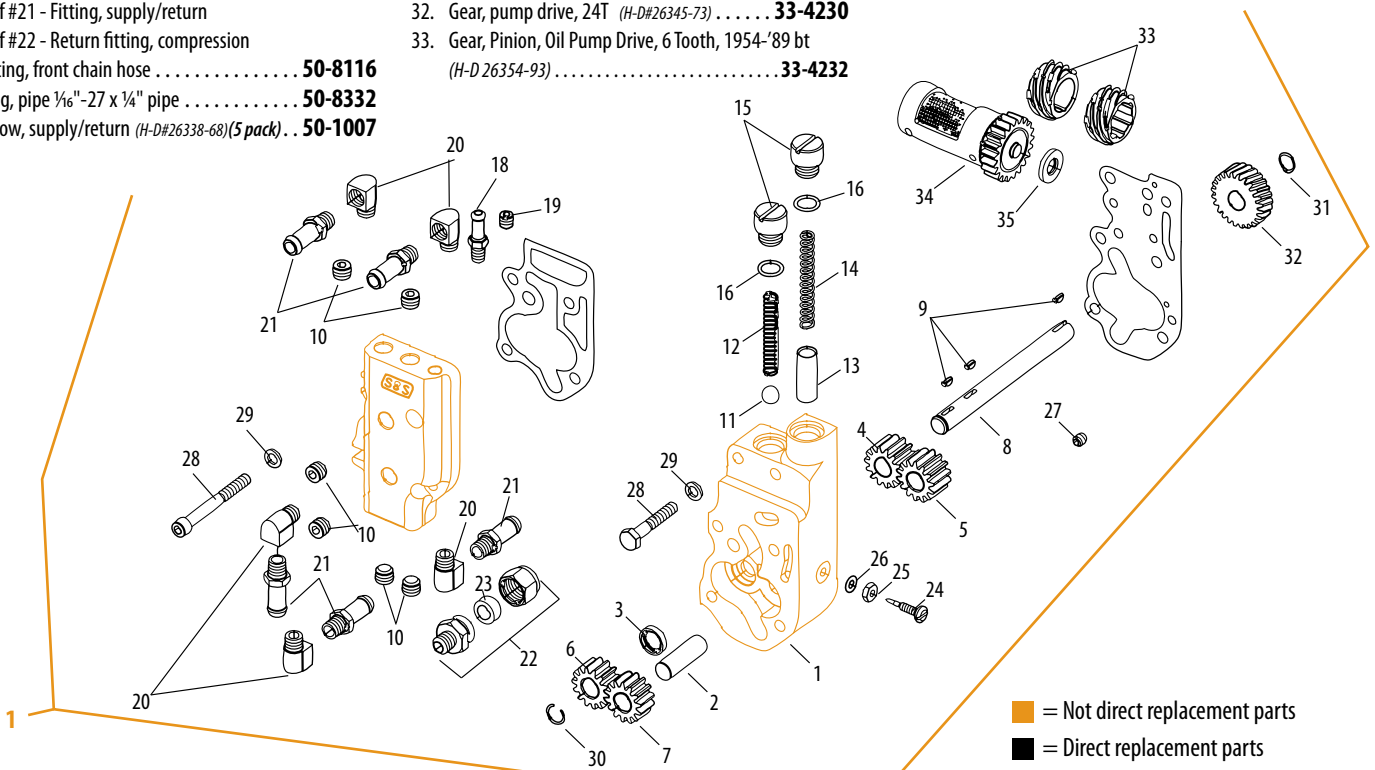
1- Performance Replacement Voltage Regulator, Chrome (H-D 74513-82A)	
1981-'88 bt.....	8-4061
1988-'99 bt.....	8-4060
2- Spark Plug Wires, FireWire®	
1979-'85 FX.....	8-5003
1980-'84 FLT, FLHT, FLHTC, FLTC.....	8-5004
1985-'95 FLT.....	8-5005
1979-'82 FLH.....	8-5006
1982-'95 FXR, FXRT, FXRS.....	8-5007
3- Hi-Intensity Performance, Dual Fire Coil, 3Ω electronic ignition, 1970-'98 bt	
Standard (H-D 31614-83A & 31609-80A).....	8-3002
Light Weight Design.....	8-3006
4- Spark Plugs, 1984-'99 bt	
12mm, each.....	55-1320
2 pack.....	55-1322
14mm, each.....	55-1321
2 pack.....	55-1323
5- Ignition Rotor, 1984-'99 bt* (H-D 32402-83).....	8-1150

* Can be retro-fitted for 1970-'79 bt



OIL PUMP STOCK REPLACEMENT PARTS FOR STOCK HARLEY-DAVIDSON® EVOLUTION® MODELS

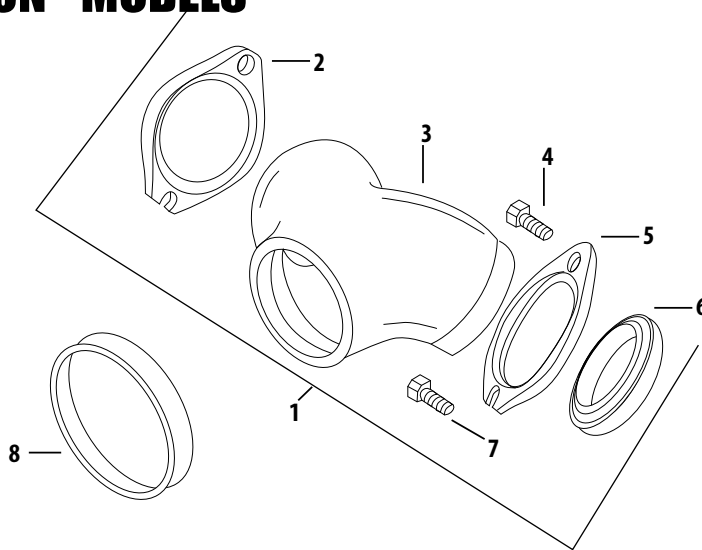
- | | | |
|---|---|--|
| <p>1. Oil Pump, Kit, Universal, w/ Gears, Polished, Billet
1978-'91 bt 31-6295
Pre-1989 Pinion Shaft, 1992-'99 bt 31-6296</p> <p>2. Shaft, idler (H-D#26327-68) 31-6004</p> <p>3. Seal, drive shaft (H-D#26227-58) 31-6005</p> <p>4. Gear, return drive (H-D#26315-68A) 31-6013</p> <p>5. Gear, return idler (H-D#26317-68A) 31-6014</p> <p>6. Gear, supply drive (H-D#26328-74) 31-6015</p> <p>7. Gear, supply idler (H-D#26326-62A) 31-6016</p> <p>8. Shaft, drive (H-D#26346-70) 31-6011</p> <p>9. Key, drive shaft (H-D#26348-15) each 50-8220-5
10 pack 50-8229</p> <p>10. Plug, 1/8"-27 (H-D#45830-48) each 50-8331
10 pack 50-1015</p> <p>11. Ball, check valve (H-D#8866 & #8873) 50-8091</p> <p>12. Spring, check valve (H-D#26262-80) each 31-6022
10 pack 31-6092</p> <p>13. Relief valve (H-D#26400-82) 31-6082</p> <p>14. Spring, relief valve (H-D#26207-83) each 31-6018
10 pack 31-6084</p> <p>15. Screw, check valve & relief valve cover (H-D#26263-80)
each 31-6021
5 pack 31-7005</p> <p>16. O-ring (H-D#11105) (each) 50-8008
10 pack 50-8078</p> <p>17. Pump cover assembly
Hardware kit, oil pump cover (N/S) 31-6283
Includes oil fittings:
3 of #10 - Plug, 1/8"-27
1 of #18 - Fitting, front chain hose
2 of #19 - Plug, pipe 1/16"-27 x 1/4"
2 of #20 - Elbow, supply/return
2 of #21 - Fitting, supply/return
1 of #22 - Return fitting, compression</p> <p>18. Fitting, front chain hose 50-8116</p> <p>19. Plug, pipe 1/16"-27 x 1/4" pipe 50-8332</p> <p>20. Elbow, supply/return (H-D#26338-68) (5 pack) 50-1007</p> | <p>21. Fitting, supply/return hose (H-D#63533-41) .. 50-8115</p> <p>22. Return fitting, compression (H-D#63523-92) .. 50-8120</p> <p>23. Seal, tubing, 3/8" x 1/2" O.D. x 1/4" 50-8271</p> <p>24. Screw, chain oiler adjusting 31-6026</p> <p>25. Locknut, chain oiler 50-5000</p> <p>26. Washer, chain oiler adjuster (H-D#6156) each .. 50-7008
10 pack 50-7001</p> <p>27. Plug, 1/4"-20 (each) 50-0069
2 pack 50-0069P
10 pack 50-0238</p> <p>Primary chain oiler screw kit (N/S) 31-6291
Includes chain oiler items:
1 of # 24 - Screw, chain oiler adjusting
1 of # 25 - Locknut, chain oiler
1 of # 26 - Washer, chain adjuster
1 of # 27 - Plug, adjusting screw</p> <p>28. Screws, mounting
A. 1/4"-24 x 1 1/2" - 1936-'78 (HHCS) each 50-0082
10 Pack 50-0143
B. 1/4"-24 x 2 1/4" - 1936-'78 (HHCS) (H-D#5430W)
each 50-0088
5 pack 50-0187
C. 1/4"-20 x 1 1/2" - 1979-'99 (HHCS) (H-D#2872W)
each 50-0080
D. 1/4"-20 x 2 1/4" - 1979-'99 (SHCS) 50-0078
E. 1/4"-20 x 1 1/2" - 1979-'99 (SHCS) 50-0079</p> <p>29. Washer, 1/4" (each) 50-7017
12 pack 50-7013</p> <p>30. Retaining ring (H-D#26348-36) each 50-8058
10 Pack 50-8106</p> <p>31. Retaining ring, external (H-D#11002) each 50-8059
10 Pack 50-8107</p> <p>32. Gear, pump drive, 24T (H-D#26345-73) 33-4230</p> <p>33. Gear, Pinion, Oil Pump Drive, 6 Tooth, 1954-'89 bt
(H-D 26354-93) 33-4232</p> | <p>34. Gear, Breather, L1977-'99 bt (H-D 25310-82A) 33-4241</p> <p>35. Shim, Breather Gear, Steel, .325" x .740" x
.100" each 33-4200
5 pack 33-1000
.110" each 33-4201
5 pack 33-1001
.120" each 33-4202
5 pack 33-1002
.130" (H-D 25320-82) each 33-4203
.140" (H-D 25322-82) each 33-4204
5 pack 33-1004
.150" (H-D 25325-82) each 33-4205
5 pack 33-1005
.160" (H-D 25327-82) each 33-4206
5 pack 33-1006
.170" each 33-4207
8 pack (includes one each of .100"- .170") ... 33-4249</p> <p>36. Oil pump mounting hardware kit (N/S) ... 31-6288
Includes mounting bolts:
2 of 28A - 1/4"-24 x 1 1/2"
4 of 28B - 1/4"-24 x 2 1/4"
2 of 28C - 1/4"-20 x 1 1/2"
4 of 28D - 1/4"-20 x 2 1/4"</p> |
|---|---|--|



Parts for Twin Cam 88, 96, 103™
 Parts for Evolution®
 Parts for Sportster®
 Parts for Shovelheads
 Parts for Panheads
 Parts for Knuckleheads
 Parts for Flatheads
 Index
 Cross Reference

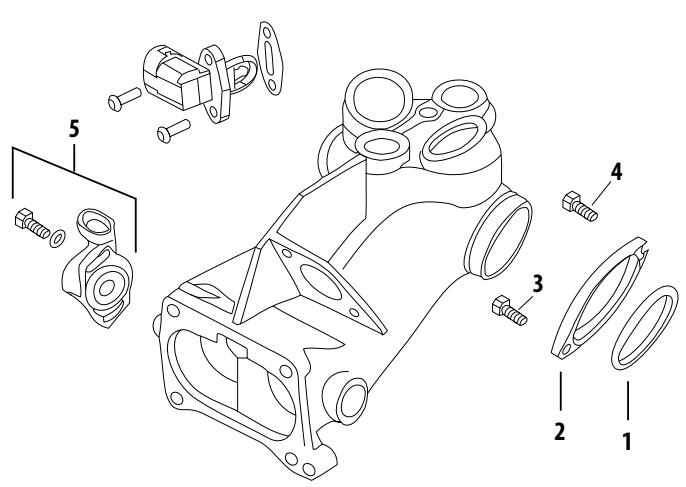
MANIFOLD STOCK REPLACEMENT PARTS FOR HARLEY-DAVIDSON® EVOLUTION® MODELS

- 1- Manifold, Kit, Conversion, (Flanged) S&S® Ports, 1 7/8", VOES, #410, Natural 1984-'89 bt..... **16-1658**
- Manifold Kit w/ S&S head ports include:*
- 2- Flange, Rear, Manifold, 1984-2005 bt (H-D 27010-86A) each **16-0233**
- 5 pack **16-0601**
- 3- Manifold, S&S® Ports, 1 7/8", #410, Natural, 1984-'99 bt*
- Flanged butterfly carb **16-1628**
- CV Carb (H-D 27019-89) **16-1736**
- *Requires #6 for S&S manifolds
- 4- Screw, SHC, 5/16-18 x 1", Zinc, ASTM A574-92A (H-D 3201WA) each **50-0101**
- 5- Flange, Front, Manifold, 1984-2005 bt (H-D 27009-86A) each **16-0232**
- 5 pack **16-0600**
- 6- Seal, Intake, 1984-up bt
- For Stock Manifolds (H-D 26995-86A) each **16-0236**
- 10 pack **16-0244**
- For S&S Manifolds, each **16-0235**
- 10 pack **16-0243**
- 7- Bolt, Hex Head, Gr5, 5/16-18 x 1", Zinc (H-D 3987 & 4017) each **50-0108**
- 8- U-ring, Manifold, 40mm Stock CV/42mm Mikuni® (H-D 27002-89) **16-0242**



INDUCTION MODULE STOCK REPLACEMENT PARTS FOR HARLEY-DAVIDSON® EVOLUTION® MODELS

- 1- Seal, Intake, Stock Heads, 1984-up bt (H-D 26995-86A) each **16-0236**
- 10 pack **16-0244**
- 2- Flange, Manifold, 1984-2005 bt
- Front (H-D 27009-86A) each **16-0232**
- 5 pack **16-0600**
- Rear (H-D 27010-86A) each **16-0233**
- 5 pack **16-0601**
- 3- Bolt, Hex Head, Gr5, 5/16-18 x 1", Zinc **50-0108**
- 4- Fitting, Hose, Straight, .200" x .098", Brass **16-0136-S**
- 5- Sensor, Kit, Throttle Position, VFI (H-D 27271-95) **55-5058**
- Sensor Kit Includes:*
- Screw, Torx, M4 x 12mm, Zinc, Steel (2 required) each **50-0358-S**
- 10 pack **50-1056**
- Washer, Flat, 4mm x 9mm x .9mm, Stainless Steel (2 required) each **50-7145-S**
- 10 pack **50-1057**
- Sensor, Throttle Position, VFI, **55-5036**
- 6- Sensor, Kit, Temperature, Intake Air (H-D 27270-95) **55-5041**
- 7- ECM, Kit, USB, Stock H-D®/Magneti Marelli® Replacement, Make to Order, (Not Shown) 1995½ - 2001 Touring **559-0001**

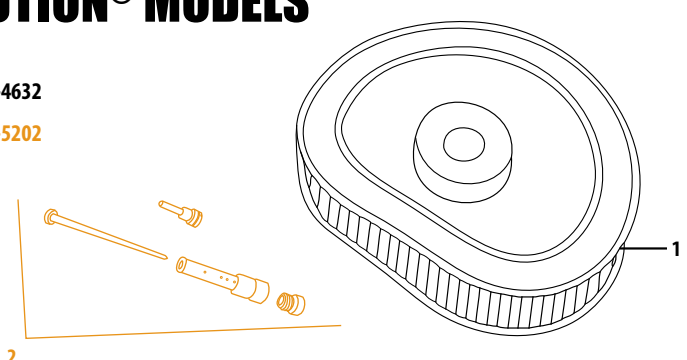


AIR FILTER STOCK REPLACEMENT PARTS FOR HARLEY-DAVIDSON® EVOLUTION® MODELS

- 1- Filter, Air, Carb, 1990-'99 bt (H-D 29330-96) **106-4632**
- 2- Jet, Kit, CV Carb, 1995-2006 bt* **11-5202**

*Assorted popular jets, needles, and emulsion tabs.
For more information, see S&S instruction sheet 51-1177.

- = Not direct replacement parts
- = Direct replacement parts



Parts for Twin Cam 88, 96, 103™
 Parts for Evolution®
 Parts for Sportster®
 Parts for Snowballheads
 Parts for Panheads
 Parts for Knuckleheads
 Parts for Flatheads
 Index
 Cross Reference

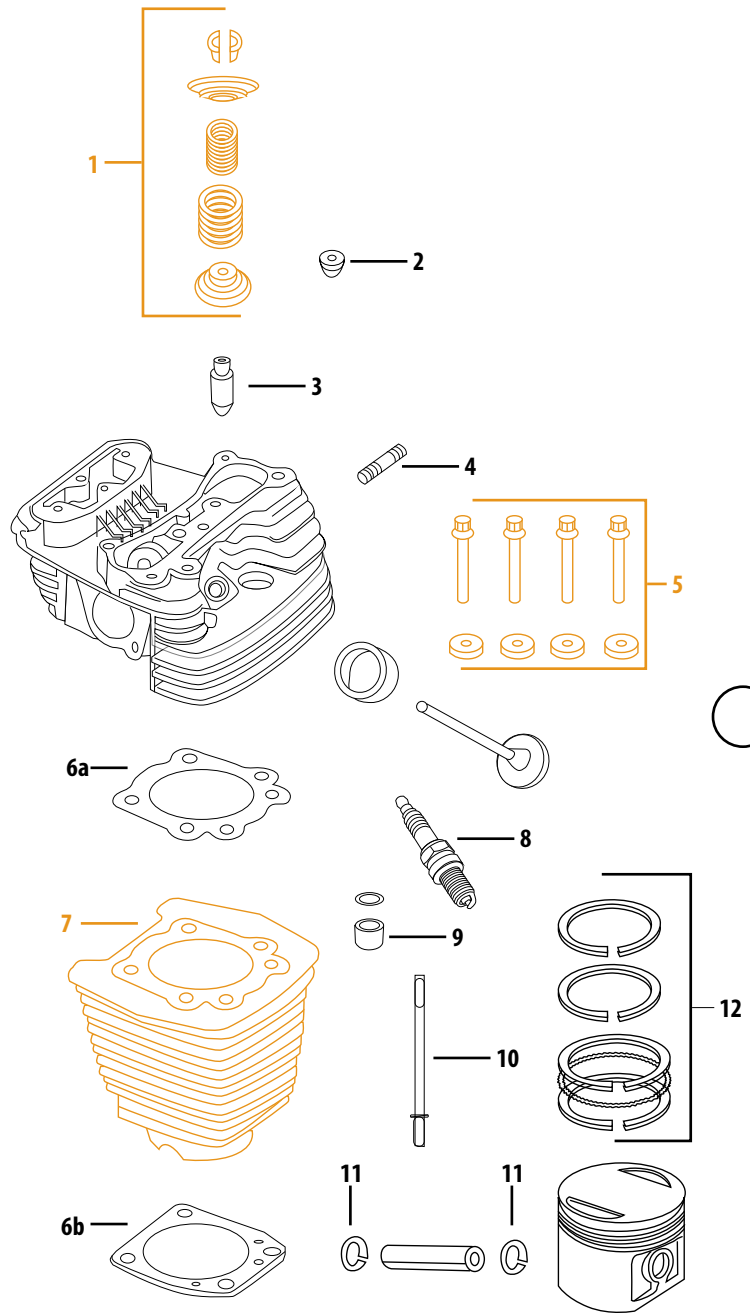
Harley-Davidson® Sportster® Models

CYLINDER, HEAD & VALVE STOCK REPLACEMENT PARTS FOR HARLEY-DAVIDSON® SPORTSTER® MODELS

1- Spring, Kit, Valve, SDW, .650", Chrome Silicone Steel	
1986-2003 xl	900-0050
2004-up xl	106-5909
Spring, Kit, Valve, Triple, .640", 1986-'03 xl	
w/ Steel Collars	90-2077
w/ Titanium Collars	90-2078
2- Seal, Valve Guide, 1986-'03 xl (H-D 18001-83B) each.....	
8 pack.....	90-2158
3- Valve Guide, Intake/Exhaust, Standard, Cast Iron, 1986-'03 xl (H-D 18112-92A).....	
4- Stud, Exhaust Port, 3/16-18, 3/16-24 x 1.910", Zinc, Steel (H-D 16715-83).....	
5- Head Bolt, Kit, Stock Heads, 12 pt, 1986-2003 xl.....	
Head Bolt, w/ Washer, 12 pt, 3/8-16 x 3.384" x .950"TD.....	93-3030
Head Bolt, w/ Washer, 12 pt, 3/8-16 x 2.170" x .950"TD.....	93-3036
6- Gasket, Kit, Head/Base/Exhaust, 3 1/2", 1986-2003 xl	
a. Gasket, Head, 3 1/2", Graphite, 304 SS, 1986-2003 xl	
.0625" (not included in Gasket Kit) (H-D 16664-86B) each.....	93-1313-S
10 pack.....	93-1051
.045" (H-D 16770-84D) each.....	93-1011-S
10 pack.....	93-1024
b. Gasket, Base, .018", 3 1/2", Graphite, 1986-2003 xl (H-D 16774-86D) each.....	
c. Gasket, Exhaust, Tapered, Stainless Steel, 1986-up xl (not shown) (H-D 65324-83B) ...	
each.....	106-5029
10 pack.....	93-1072
7- Cylinder, 3 1/2" Bore, 4.650", Natural, 1986-2003 xl, xl 1200 (or 883 to 1200 conversion)**	
Set	91-3010
Front.....	91-3010F
Rear.....	91-3010R
Cylinder, 3 1/2" Bore, 4.650", Wrinkle Black, 1986-2003 xl, xl 1200 (or 883 to 1200 conversion)**	
Set	91-3904
Front.....	91-3904F
Rear.....	91-3904R
** NOTE: Cylinders are not honed.	
8- Spark Plug, Resistor, 12mm, 2 Pack (H-D 32317-86A & 32362-04)	
9- Pin, Dowel, .557" x .500", Black, Steel (H-D 16573-83) each.....	
10 Pack.....	50-8109
10- Stud, Cylinder Base, 3/8-16 UNC x 5.760" (H-D 16832-86C) each.....	
8 pack.....	31-2331-S
11- Wristpin Keeper, C-Clip, .791"/.792" (H-D 22589-83B) each	
2 pack.....	94-9254-S
4 pack.....	94-9254
12- Ring, Set, Piston, 3-1/2", Moly Faced, .0625, .0625, .1525, 1986-2003 xl	
Standard.....	94-2216X
+ .010".....	94-2217X
+ .020".....	94-2218X

Not Shown:

Mount, Top, Engine, 2- Piece, Semi-Gloss Black, Steel, 1986-up xl	93-4055
Mount, Front, Engine, Up To 5.087" Cylinder, Semi-Gloss Black, Steel, 1986-up xl.....	93-4056

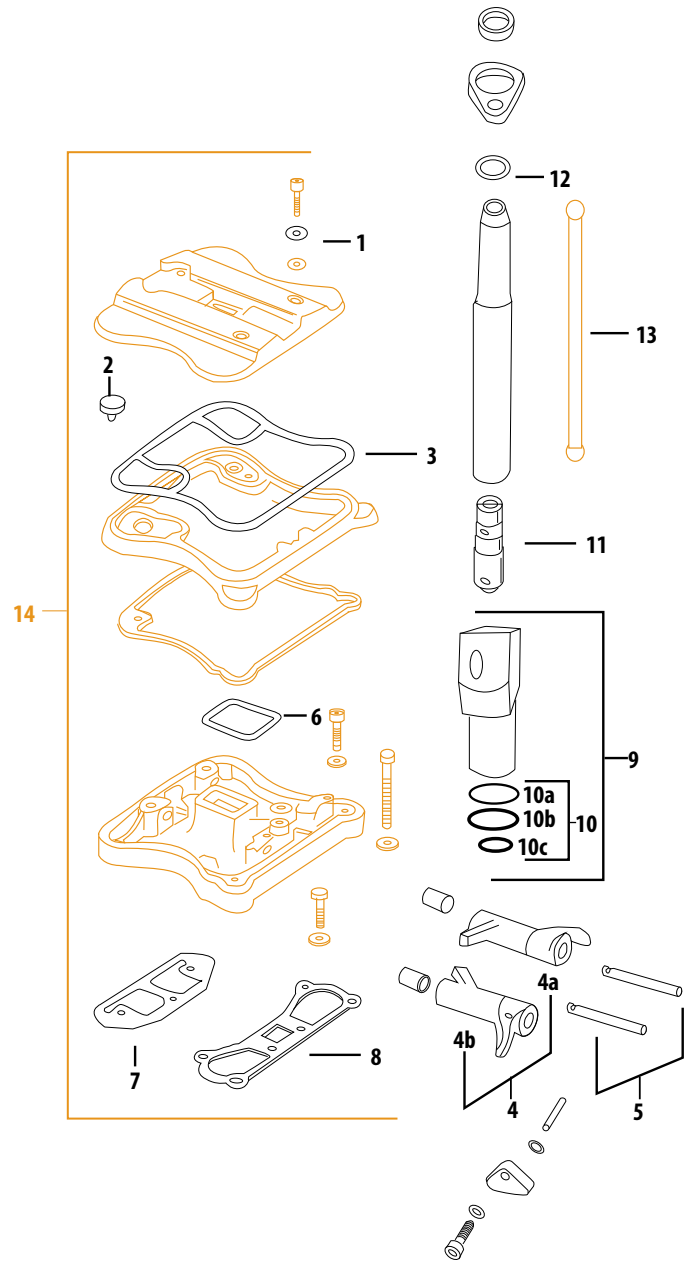


■ = Not direct replacement parts
■ = Direct replacement parts

Parts for Evolution®
 Parts for Sportster®
 Parts for Shovelheads
 Parts for Panheads
 Parts for Knuckleheads
 Parts for Flatheads
 Index
 Cross Reference

ROCKER ARM, COVER & PUSHROD STOCK REPLACEMENT PARTS FOR HARLEY-DAVIDSON® SPORTSTER® MODELS

1- Washer, Flat, .250" x .625" x .031", Copper (H-D 63858-49) each.....	50-7018
2- Seal, Umbrella Valve Cover (H-D 26856-89)	90-4030
3- Gasket, Top, Rocker Cover, Cork, 1991-2003 xl (H-D 17354-89)	90-4020
4- Rocker Arm, Non-Roller, 1.625:1 Ratio, 8620, 1986-2003 xl (Set)	900-4119A
a. Rocker Arm, Assembly, FE/RI, Non-Roller, 1.625:1 Ratio, 8620, 1986-2003 xl (H-D 17375-83A)	900-4119FA
b. Rocker Arm, Assembly, RE/Fl, Non-Roller, 1.625:1 Ratio, 8620, 1986-2003 xl (H-D 17360-83A)	900-4119RA
5- Shaft, Set, Rocker Arm, Stock Replacement, 1986-up xl (H-D 17611-83)	
each	90-4006
4 pack.....	90-4036
6- Gasket, Middle Inner, Rocker Cover, 1986-2003 xl	
Cork (H-D 17358-84A).....	90-4018
Rubber.....	90-4042
7- Gasket, Bottom Right, Rocker Cover, 1986-2003 xl (H-D 16778-84B)	90-4058
8- Gasket, Bottom Left, Rocker Cover, 1986-2003 xl (H-D 16779-84D) each	90-4059
10 pack.....	90-4036
9- Tappet Guide, Set, Stock Style, Natural, Billet, 1986-'90 xl	33-5375
Tappet Guide Set Includes #10:	
10- O-ring, Kit, Tappet Guide, 1986-2003 xl (H-D 1167A)	50-8153
a. O-ring, (-120), 1" ID x 1.875" OD, °	
each	50-8004
10 pack	50-8079
b. O-ring, (-022), 1" ID x .125" OD, Black, ° (H-D 11168A)	
each	50-8005
10 pack	106-0682
c. O-ring, (-012), .375" ID x .500" OD, ° (H-D 11110)	
each	50-8006
10 pack	50-8077
11- Tappet, Set, Hydraulic	
2000-up XL (H-D 18538-99A) (Set of 4)	33-5350
1986-'90 XL (H-D 18523-86) (Set of 4)	33-5352
1991-'99 xl (each)	3-2100
12- O-ring, (-209), .687" ID x .937" OD, ° (H-D 11190) each.....	50-8039
10 pack.....	93-4110
13- Pushrod Sets	
Standard Adjustable 1991-'03 Stock xl	93-5022
Standard Adjustable 1986-'90 xl	93-5033
Quickee Adjustable 1986-up xl.....	93-5122
14- Rocker Box Kit, Billet 1986-'03 xl	
Chrome.....	90-4050
Natural	90-4055



■ = Not direct replacement parts
 ■ = Direct replacement parts

Harley-Davidson® Sportster® Models

FLYWHEEL STOCK REPLACEMENT PARTS FOR HARLEY-DAVIDSON® SPORTSTER® MODELS

1- Rebuild Kit, Connecting Rod, Races & Bushings, xl (not shown).....**34-4540**

Rebuild Kit Includes (1 front race, 2 rear races and 2 bushings):

- a. Race, Front, Connecting Rod, 1957-'99 xl.....**34-4505**
- b. Race, Rear, Connecting Rod, 1957-'99 xl.....**34-4506**
- c. Bushing, Wristpin, .767" x .895" x .950", Bronze, 1954-up xl (H-D 24331-36).....**34-4507**

2- Connecting Rod, Set, ABC, .791" WP, 7.440", 1957-E'81 xl
Heavy Duty.....**34-7500**
Supreme.....**34-7710**

Connecting Rod, Set, ABC, .791" WP, 7.440", L1981-'85 xl
Heavy Duty.....**34-7510**
Supreme.....**34-7730**

Connecting Rod, Set, Heavy Duty, ABC, .791" WP, 6.926", 1983-'84 xl.....**34-7803**

3- Bearing Cage, Set, Connecting Rod, Alloy, 1954-up xl.....**34-4520**

4- Crankpin, Assembly, Tapered, 1.249",
1957-'81 xl.....**34-2503**
L1981-'99 xl.....**34-2602**

5- Pinion Shaft, Assembly, Tapered, L1981-'85 xl
Standard (H-D 24005-80).....**33-2323**

Pinion Shaft, Assembly, Tapered, 1957-'76 xl
Standard (H-D 24005-57).....**33-2321**

Pinion Shaft, Assembly, Tapered, Standard, 1977-E'81 xl.....**33-2322**

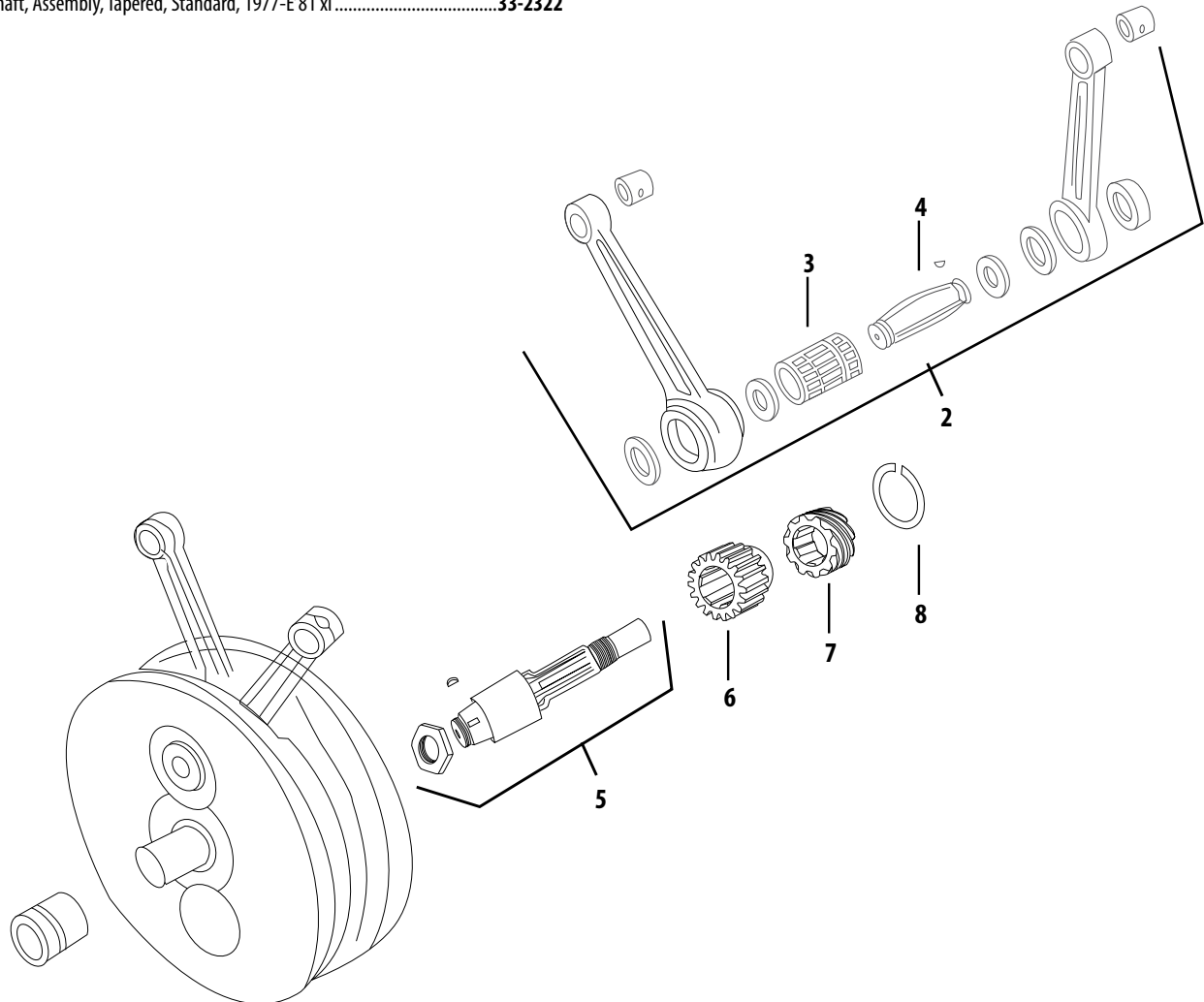
6- Gear, Pinion, 1986-'87 xl
Blue (H-D 24056-86).....**33-4152**

- Red (H-D 24057-86).....**33-4153**
- White (H-D 24058-86).....**33-4154**
- Green (H-D 24059-86).....**33-4155**
- Yellow (H-D 24060-86).....**33-4156**

Gear, Pinion, 1991-'99 xl
Blue (H-D 24056-91).....**33-4162**
Red (H-D 24057-91).....**33-4163**
White (H-D 24058-91).....**33-4164**
Green (H-D 24059-91).....**33-4165**
Yellow (H-D 24060-91).....**33-4166**

7- Gear, Pinion, Oil Pump Drive, 1977-'87 xl (H-D 26318-75).....**33-4228**

8- Retaining Ring, External, Pinion Bearing, 1.160" x 1.480" x .046", Carbon Steel
SAE 1060-1090 (H-D 11177A) each.....**50-8057**
5 pack.....**50-1004**



Parts for Twin Cam 88, 96, 103™
Parts for Evolution®
Parts for Sportster®
Parts for Shovelheads
Parts for Panheads
Parts for Knuckleheads
Parts for Flatheads
Index
Cross Reference

CRANKCASE STOCK REPLACEMENT PARTS FOR HARLEY-DAVIDSON® SPORTSTER® MODELS

1- Crankcase, Assembly, Stock Bore, xl/Buell®

Natural, 1986-1990 **31-1013**

Natural, 1991-2003 **31-1008***

**Requires gasket 31-2052 (see next page), 1991-'03 requires 1991-'96 gearcover*

2- Retaining Ring, Internal, 3.734" x .109", Carbon Steel, SAE 1060-1090

(H-D 11161) **50-8051**

3- Bearing, Ball, Transmission Mainshaft, 10 Balls, 45mm x 85mm x 19mm

(H-D 8996A) **56-1280**

4- Pin, Dowel, .312" x .500", Alloy (H-D 215)

..... **50-8019**

5- Plug, Timing, Threaded, 5/8-18 UNF-2A x .545", Zinc, Steel (H-D 720)

..... **31-2005**

6- Pin, Dowel, .430" x .499", Steel (H-D 24754-75)

..... **50-8018**

7- Nut, HH, 3/8-24 UNC-2B x .337", Zinc, Steel (H-D 7861) each

..... **50-5037**

8- Nut, Motor Mount, Press-In, HH, 3/8-24 2B x .785", Steel, xl (H-D 16240-82)

..... **31-2048**

9- Pin, Dowel, .250" x .500", Steel (H-D 358) each

..... **50-8022**

2 pack **50-8022-2**

5 pack **50-8105**

10- Race, Right, Main Bearing, Standard, 1987-2003 xl (H-D 8881)

..... **31-4050**

11- Retaining Ring, External, Pinion Bearing, 1.160" x 1.480" x .046", Carbon Steel,

SAE 1060-1090- (H-D 11177A) each **50-8057**

5 pack **50-1004**

12- Bearing Assembly, Right, Main

Blue (H-D 24647-87) **31-4055**

Red (H-D 24650-87) **31-4056**

White (H-D 24659-87) **31-4057**

Green (H-D 24660-87) **31-4058**

13- Stud, Shifter Shaft, 1/4-20, 1/4-28 x 1.250" (H-D 5226B)

..... **50-8080**

14- Bearing; Needle; Transmission Countershaft (H-D 8977)

..... **56-3031**

15- Seal, Left, Main Bearing, 1.500" x 2" x .313", 1974-up xl (H-D 35151-74A)

..... **31-4060**

16- Bearing, Assembly, Left, Main, 1974-up xl (H-D 24729-74)

..... **31-4059**

17- Bearing, Transmission Shift Drum, 1991-2003 xl, Right Hand (H-D 9151)

..... **56-3032**

18- Pin, Dowel, .557" x .500", Black, Steel (H-D 16573-83) each

..... **50-8023**

10 Pack **50-8109**

19- Screw, SHCS, 10-24 x 3/8", Chrome, Steel (H-D 4091)

..... **50-0023**

20- Cover, Stator Wire, 1991-2003 xl (H-D 29950-91)

..... **31-2050**

21- Fitting, Hose, Straight, 1/8-27 NPTF x .500", Zinc, Steel (H-D 63533-41A)

..... **50-8115**

22- Cam Bushing (H-D 25586-37)

..... **31-4037-5**

23- Washer, Cam, Thrust, Double, .062", Steel

..... **33-5210**

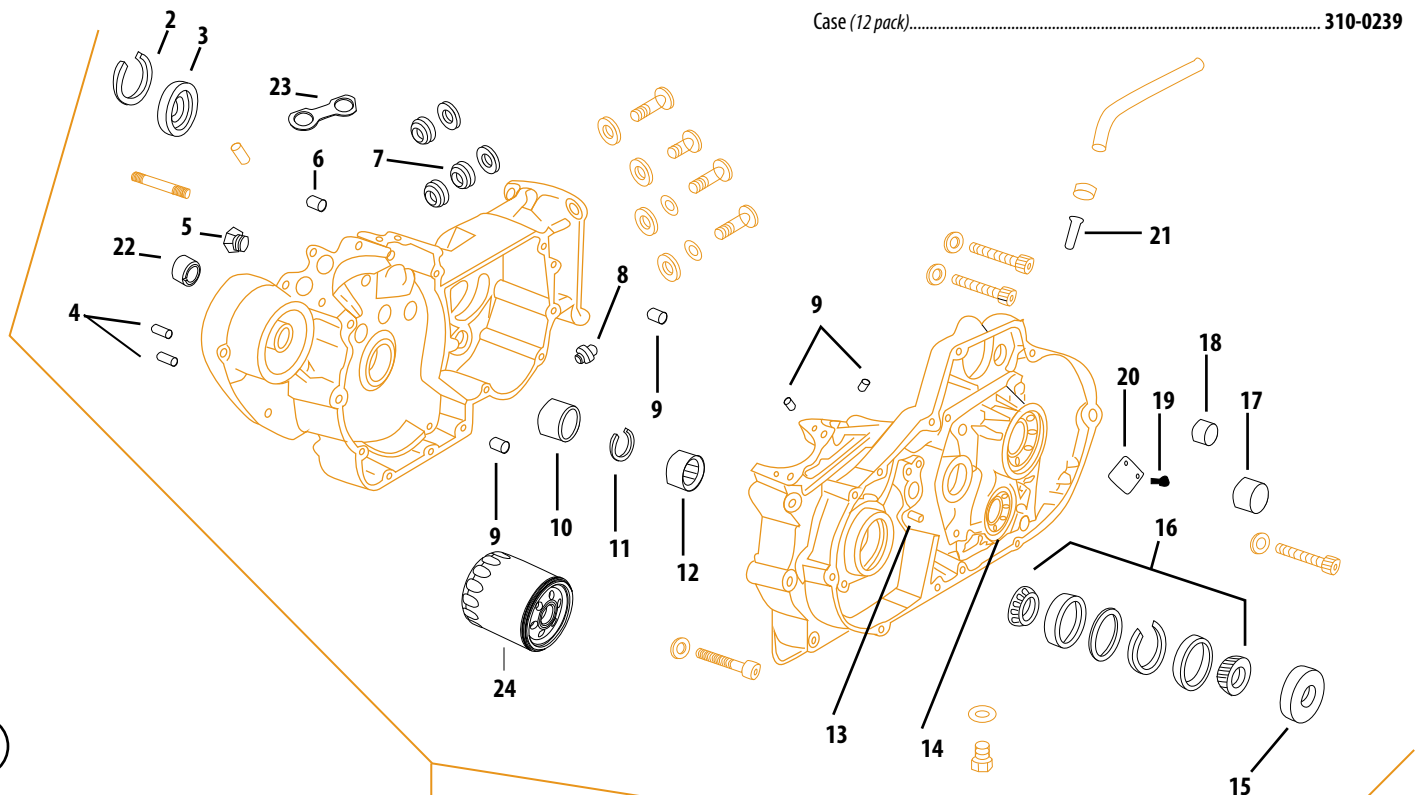
24- Filter, Oil (not included in the crankcase assembly)

Chrome (each) **31-4102**

Case (12 pack) **310-0240**

Black (each) **31-4101**

Case (12 pack) **310-0239**



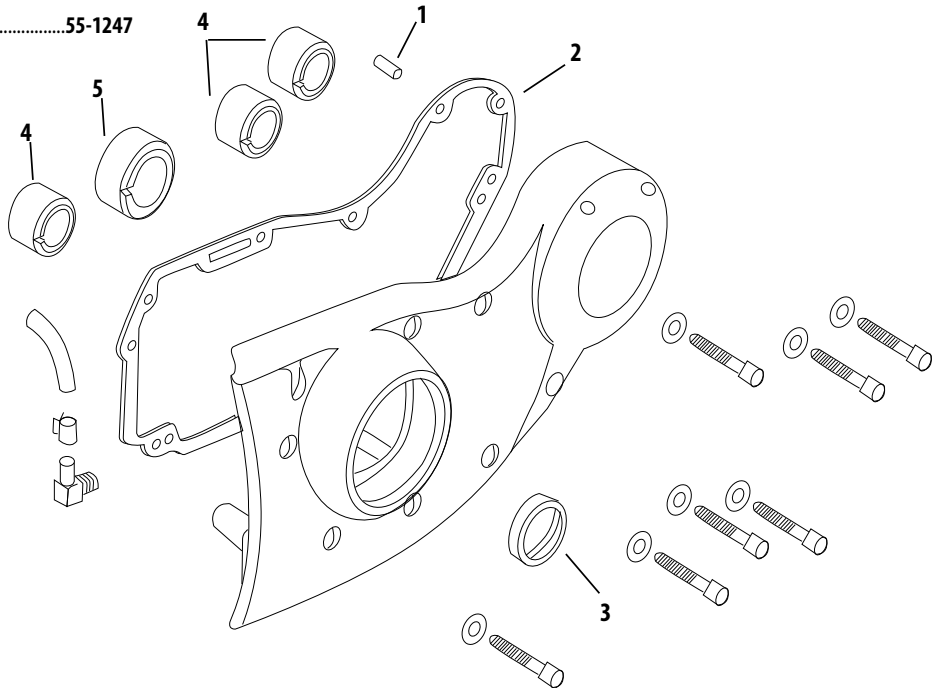
■ = Not direct replacement parts
 ■ = Direct replacement parts

Parts for Twin Cam 88, 96, 103™
 Evolution®
 Parts for Sportster®
 Parts for Shovelheads
 Parts for Panheads
 Parts for Knuckleheads
 Parts for Flatheads
 Index
 Cross Reference

Harley-Davidson® Sportster® Models

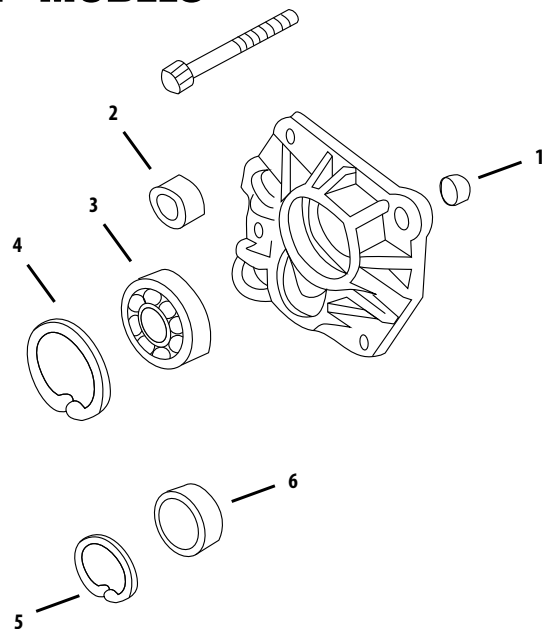
GEARCOVER STOCK REPLACEMENT PARTS FOR HARLEY-DAVIDSON® SPORTSTER® MODELS

1- Pin, Dowel, .093" x .500" (H-D 11317).....	50-8099
2- Gasket, Gearcover, S&S® Cover, 1986-2003 xl (H-D 25263-90C)	31-2052
3- Seal, Gearcover Cam, 1.125" x 1.561" x .250", 1971-up xl (H-D 11124).....	31-4051
4- Bushing Cam, Position #1,3,4 (H-D 25586-37)	31-4037-S
5- Cam Bushing, Position #2 (H-D 25588-57).....	31-4036-S
6- Cup, Kit, Rotor, Ignition, Super Stock®	55-1247



ACCESS DOOR STOCK REPLACEMENT PARTS FOR HARLEY-DAVIDSON® SPORTSTER® MODELS

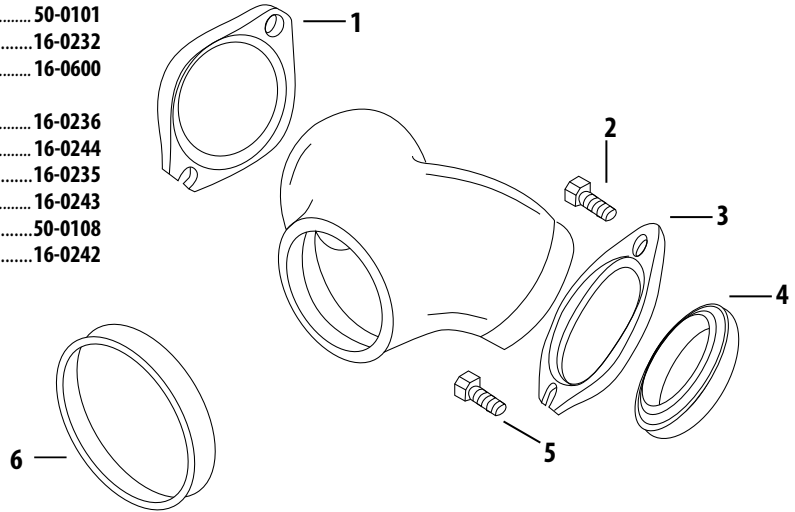
1- Pin, Dowel, .557" x .500", Black, Steel (H-D 16573-83) each.....	50-8023
10 Pack.....	50-8109
2- Bushing, Shifter Drum, 1.218" x 1.407" x .375", Bronze, 1991-2003 xl (H-D 9187)...	56-3030
3- Bearing, Ball, 20mm x 47mm x 14mm, 1991-2003 xl (H-D 35030-89).....	56-3027
4- Retaining Ring, Internal, 2.702" x .078", Carbon Steel, SAE 1060-1090 (H-D 35038-84)	50-8052
5- Retaining Ring, Internal, 2.054" x .062", Carbon Steel, SAE 1060-1090 (H-D 35021-89).....	50-8053
6- Bearing, Ball, Transmission Countershaft, Left Hand, 20mm x 47mm x 14mm, 1991-'03 xl (H-D 8998)	56-3026



Parts for Twin Cam 88®, 96®, 103™
Parts for Evolution®
Parts for Sportster®
Parts for Shovelheads
Parts for Panheads
Parts for Knuckleheads
Parts for Flatheads
Index Cross Reference

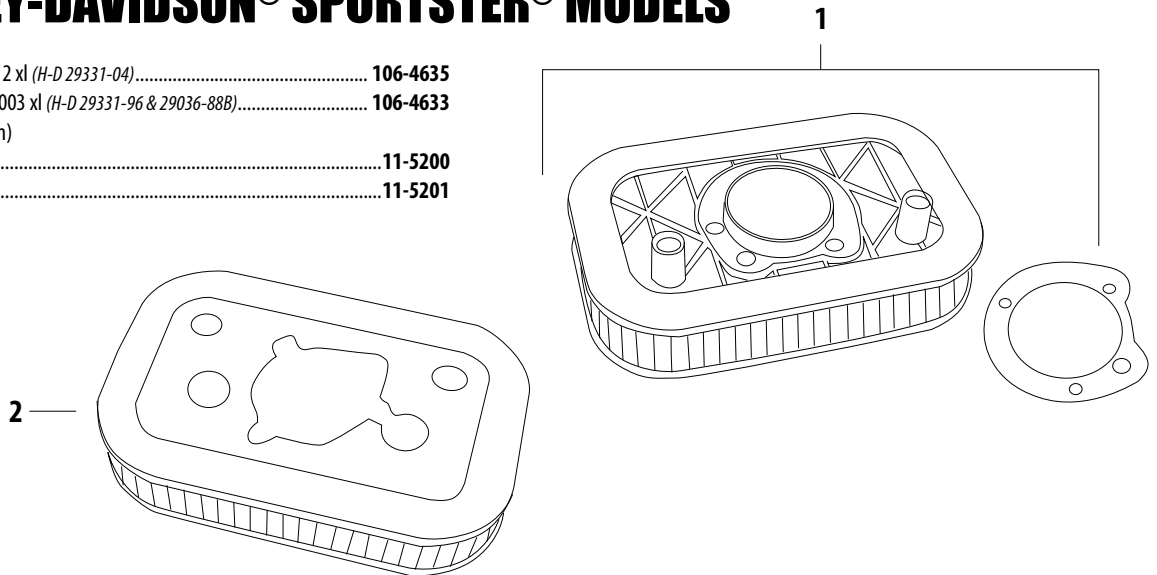
MANIFOLD STOCK REPLACEMENT PARTS FOR HARLEY-DAVIDSON® SPORTSTER® MODELS

- 1- Flange, Rear, Manifold, 1984-2005 bt (H-D 27010-86A) each **16-0233**
5 pack **16-0601**
- 2- Screw, SHC, 5/16-18 x 1", Zinc, ASTM A574-92A (H-D 3201WA) **50-0101**
- 3- Flange, Front, Manifold, 1984-2005 bt (H-D 27009-86A) each **16-0232**
5 pack **16-0600**
- 4- Seal, Intake, 1984-up bt
For Stock Manifolds (H-D 26995-86A) each **16-0236**
10 pack **16-0244**
For S&S Manifolds, each **16-0235**
10 pack **16-0243**
- 5- Bolt, Hex Head, Gr5, 5/16-18 x 1", Zinc **50-0108**
- 6- U-ring, Manifold, 40mm Stock CV/42mm Mikuni® (H-D 27002-89) **16-0242**



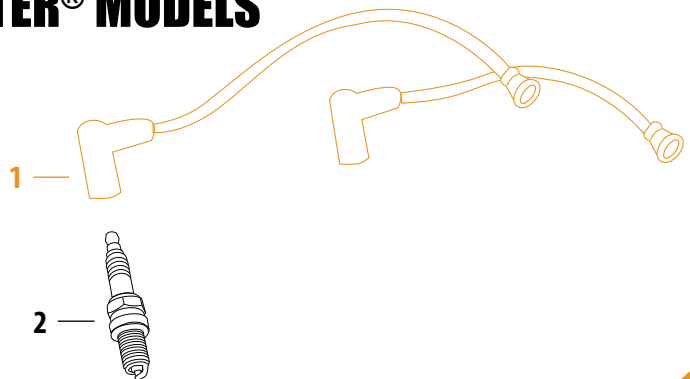
AIR FILTER STOCK REPLACEMENT PARTS FOR HARLEY-DAVIDSON® SPORTSTER® MODELS

- 1- Filter, Air, Packaged, 2004-'12 xl (H-D 29331-04) **106-4635**
- 2- Filter, Air, Packaged, 1986-2003 xl (H-D 29331-96 & 29036-88B) **106-4633**
- 3- Jet, Kit, CV Carb, (Not Shown)
1988-2005 xl **11-5200**
2004-'06 xl **11-5201**



IGNITION STOCK REPLACEMENT PARTS FOR HARLEY-DAVIDSON® SPORTSTER® MODELS

- 1- Plug Wires, H-D CUSTOM WIRESET, 1986-'98 xl **8-5002**
- 2- Spark Plug, Resistor, 12mm, 2 Pack (H-D 32317-86A & 32362-04) **55-1322**



■ = Not direct replacement parts
■ = Direct replacement parts

Parts for Evolution®
 Parts for Sportster®
 Parts for Shovelheads
 Parts for Panheads
 Parts for Knuckleheads
 Parts for Flatheads
 Index
 Cross Reference

Harley-Davidson® Shovelhead Models

CYLINDER, HEAD & VALVES STOCK REPLACEMENT PARTS FOR HARLEY-DAVIDSON® SHOVELHEAD MODELS

1- Head, Kit, Stock Bore (includes #2-5, 13, 14)	
O-ring Style, Natural, 1966-'78 bt.....	90-1496
Band Style, Natural, 1979-'84 bt.....	90-1498
2- Spring, Kit, Valve, Dual, Steel, .550", 1948-'84 bt.....	90-2053
++ a. Collar, Top, Valve Spring, .550", Steel each.....	90-2039
b. Spring, Inner, .135" Wire, .550", Chrome Silicone Steel each.....	90-2040
c. Spring, Outer, .192" Wire, .550", Chrome Silicone Steel each.....	90-2041
d. Collar, Bottom, Valve Spring, .550", Steel (H-D 18222-81) each.....	90-2038
3- Valve Keeper, 1936-'84 bt (H-D 18228-36) each.....	90-2037-S
8 pack.....	50-7165
4- Seal, Valve Guide, L1981-'84 bt (H-D 18000-81) each.....	90-2019
8 pack.....	90-2157
5- Valve Guide, Intake/Exhaust, Cast Iron, 1980-'84 bt	
Standard.....	90-2240
+.001" (H-D 18109-81A).....	90-2241
+.002" (H-D 18108-81A).....	90-2242
+.003" (H-D 18107-81A).....	90-2243
+.004" (H-D 18106-81A).....	90-2244
+.060".....	90-2249
6- Cylinder, Kit, Gloss Black, , 1966-'84 bt (Kits includes #7-12)	
3 ⁷ / ₁₆ " Bore, 5.330", 3 ³ / ₃₂ " Stroke, 8.0:1 Compression Piston 106-5495.....	91-9013
3 ⁷ / ₁₆ " Bore, 5.330, Cylinders without pistons (not honed).....	91-9011
Front Cylinder Only.....	91-9010F
Rear Cylinder Only.....	91-9010R
3 ¹ / ₂ " Bore, 5.330", 4 ¹ / ₄ " Stroke, 8.0:1 Compression Piston 106-5511.....	91-9024
3 ¹ / ₂ " Bore, 5.330" Cylinders without pistons (not honed).....	91-9021
Front Cylinder Only.....	91-9020F
Rear Cylinder Only.....	91-9020R
7- Piston, Set, .791" WP, (see charts)	
8- Gasket, Head, .032", Stock, Copper, 1966-'84 bt (H-D 16770-66B) each.....	93-1041
10 pack.....	93-1061
9- Gasket, Base, .020", Stock, 1966-'84 bt (H-D 16776-63) each.....	93-1023-S
10 pack.....	93-1070
10- Head Bolt, w/ Washer, 12 pt, 7 ¹ / ₁₆ -20 X 2 ³ / ₈ " x 1" TD (H-D 6469HW & 16814-77).....	93-3024
a. Head Bolt, 12 pt, 7 ¹ / ₁₆ -20 X 2 ³ / ₈ " x 1" TD (each).....	93-3024-S
b. Washer, Head Bolt, .445" x .600" x .100", Polished, Stainless Steel (each)....	93-3025
11- Stud, Cylinder Base, 7 ¹ / ₁₆ -14 UNC, 1936-'84 bt	
7 ¹ / ₁₆ -20 UNF x 2.0 Zinc Steel (H-D 16831-30) each.....	31-2328-S
8 pack.....	31-2328
7 ¹ / ₁₆ -20 UNF x 2.3 Black Steel (H-D 16837-78) each.....	31-2324-S
8 pack.....	31-2324
12- Nut, Cylinder Base, HH, 7 ¹ / ₁₆ -20 UNF-2B x .910", Polished, Stainless Steel, 1936-'84 bt	

(H-D 16602-30) each.....	93-3063-S
8 pack.....	93-3063
13- Seat	
Intake, 1.950", 1966-'84 bt	
Standard (H-D 18020-79).....	90-2017
+.002".....	N/A
+.010".....	90-2117
Exhaust, 1.750", 1948-'84 bt	
Standard (H-D 18010-79 & 18055-66B).....	90-2018
+.002".....	90-2119
+.010".....	90-2121
14- Valve	
Intake, 1.950" x 3.885" @ 1.879" Gauge, 1966-'84 bt	
Stock (H-D 18075-80/81 & 18078-80/81).....	90-2015
+.005".....	90-2020
Exhaust, 1.720" x 3.724" @ 1.680" Gauge, 1948-'84 bt	
Stock (H-D 18086-80/81 & 18089-80/81).....	90-2022
+.005".....	90-2031

15- Mount, Top, Engine, 2-Piece, Natural, Steel, 1948-'84 bt (H-D 16852-67A & 16853-48) **93-4057**

Mount Kit Includes:

a. Screw, HHC, 7 ¹ / ₁₆ -20 x 1-1 ¹ / ₄ " (H-D 4726).....	50-0176
b. Nut, Lock, HH, 7 ¹ / ₁₆ -20, Steel/Nylon (H-D 7825).....	50-5045
c. Washer, Flat, .469" x .922" x .125", Zinc, Steel each (H-D 6495HW).....	50-7064

S&S FORGED 74" PISTONS

Override	8:1 Compression	9:1 Compression	Replacement Rings
Standard (3 ⁷ / ₁₆ ")	106-5495	106-5503	94-2200X
+.010"	106-5496	106-5504	94-2201X
+.020"	106-5497	106-5505	94-2202X
+.030"	106-5498	106-5506	94-2203X
+.040"	106-5773	106-5775	94-2204X

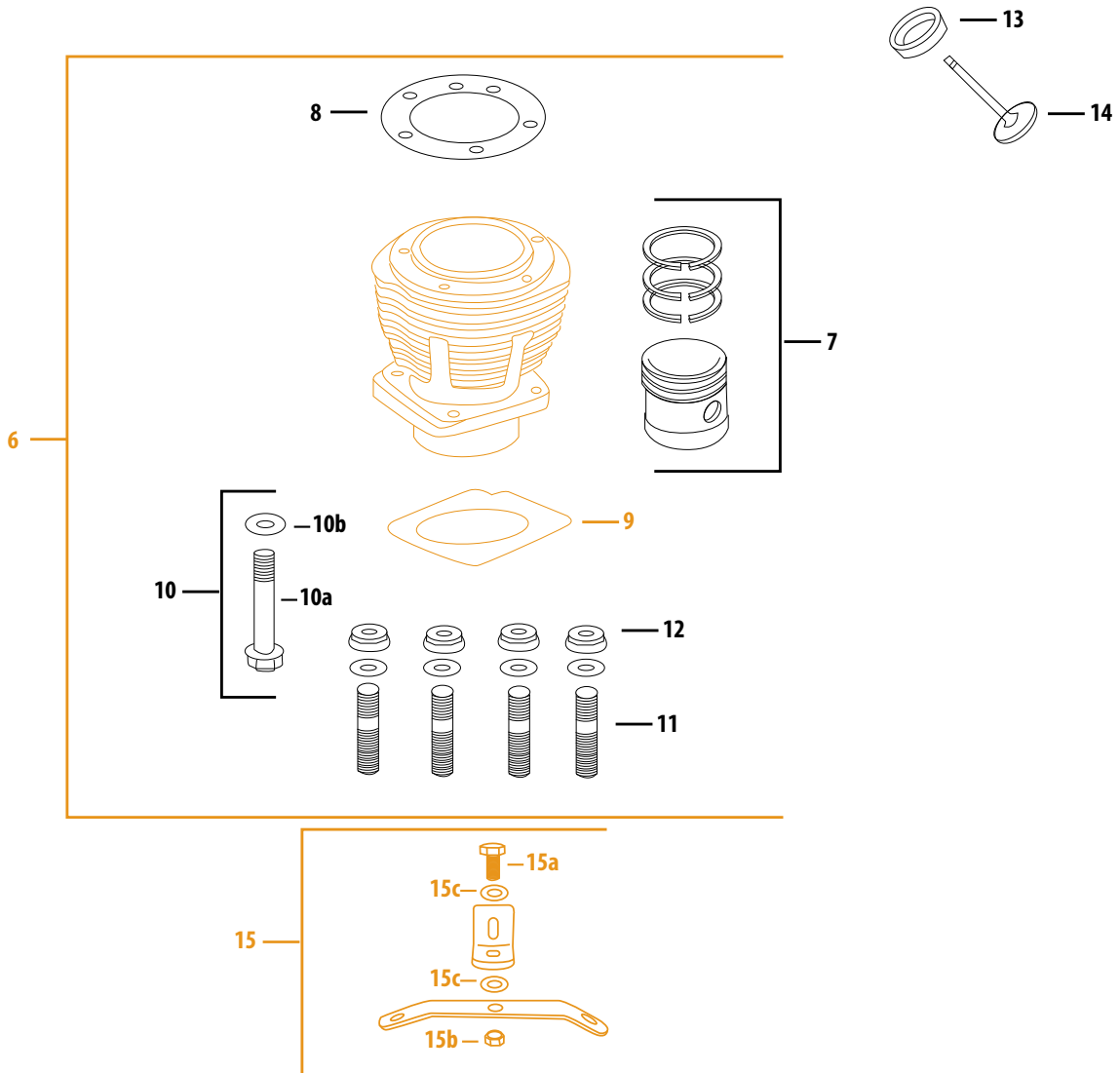
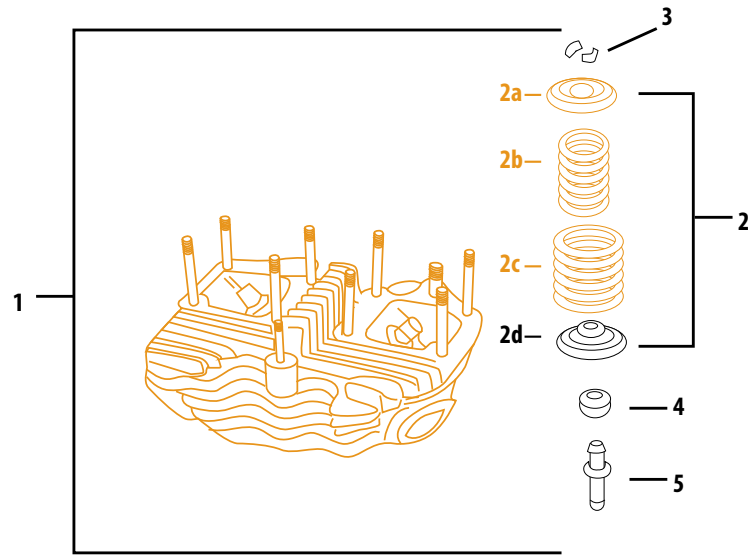
S&S FORGED 80" PISTONS

Override	8:1 Compression	9:1 Compression	Replacement Rings
Standard (3 ¹ / ₂ ")	106-5511	106-5519	94-2206X
+.010"	106-5512	106-5520	94-2207X
+.020"	106-5513	106-5521	94-2208X
+.030"	106-5514	106-5522	94-2209X

■ = Not direct replacement parts

■ = Direct replacement parts

Stock Replacement Parts from S&S®



Parts for
Twin Cam 88, 96, 103™

Parts for
Evolution®

Parts for
Sportster®

Parts for
Shovelheads

Parts for
Panheads

Parts for
Knuckleheads

Parts for
Flatheads

Index
Cross Reference

Harley-Davidson® Shovelhead Models

ROCKER ARM, COVER & PUSHROD STOCK REPLACEMENT PARTS FOR HARLEY-DAVIDSON® SHOVELHEAD MODELS

1- Pushrod Cover; Kit; Chrome; 1979-'84 bt (Kit Includes #2-6).....93-4040

2- Pushrod Cover, Bottom, w/ O-rings, Chrome, 1979-'84 bt.....93-4029

Pushrod Cover Kit Includes:

a. O-ring, (-115), .687" ID x .875" OD, Black, Nitrile (H-D 11132) each 50-8038

10 pack.....93-4111

b. Pushrod Cover, Bottom, Chrome, 1979-'84 bt (H-D 17938-488) 93-4029-S

c. O-ring

(-119), .937" ID x 1.125" OD, , 1979-'84 bt (H-D 11133A) 50-8064-S

(-209), .687" ID x .937" OD, (H-D 11157 & 11190)50-8039

5 pack.....50-8200

10 pack.....93-4110

3- Washer, Flat, .715" x .950" x .031", Steel (H-D 6762B) each..... 50-7131

10 pack.....50-7136

4- Spring, Pushrod Cover Cap, .080" Wire, .730" x .890" x .925", Steel, 1936-up bt (H-D 17947-36)..... 93-4018

5- Cap, Pushrod Cover, 1936-up bt (H-D 17945-36B)..... 93-4017

6- Pushrod Cover, Top, Natural, Aluminum, 1966-up bt (H-D 17935-79B).....93-4016

7- Cover Keeper, Set, Pushrod, 3.330", Chrome (H-D 17950-66) each 93-4035-S

4 pack.....93-4106

8- Pushrod, Set, Adjustable, Hydraulic Tappet, Stock, Steel, 1966-'84 bt (H-D 17904-66) ...93-5070

9- Roller, Kit, Replacement.....3-0101

10- Tappet, Hydraulic, Roller, 2 Pack3-1013

Oversize +.003".....3-10130S

a. Insert, Assembly, Hydraulic, 1 Pack.....3-0150

11- Gasket, Set, Tappet Guide, 1948-'99 bt (H-D 18633-48)33-5302

Front Only.....33-5302F

Rear Only.....33-5302R

12- Screw, 12 pt, 1/4-20 x 7/8", Chrome, Steel (H-D 3750 & 3770) each..... 50-0246-S

4 pack.....50-0246P

Screw;Slotted;Oval;Machined;1/4-24 x 5/8 106-3847

13- Rocker Box, Kit, Polished, Billet, 1966-'84 bt90-4305

a. Gasket, Rocker Cover, 1966-'84 bt (H-D 17540-69) each 90-4040

10 pack.....90-4064

14- Rocker Arm, Set, Roller, 1.5:1 Ratio, 8620, 1966-'84 bt900-4320A

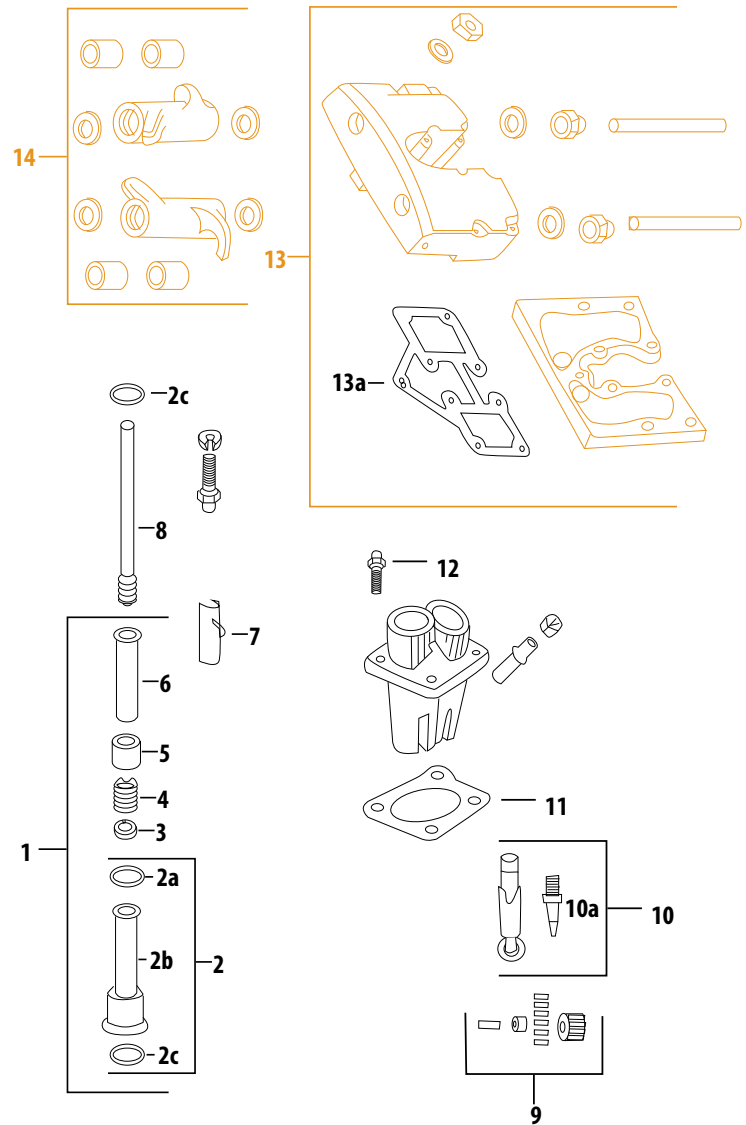
Rocker Arm Set Includes:

Rocker Arm, Assembly, FE/RI, Roller, 1.5:1 (H-D 17375-66A)900-4320FA

Rocker Arm, Assembly, FI/RE, Roller, 1.5:1 (H-D 17360-66A) 900-4320RA

■ = Not direct replacement parts

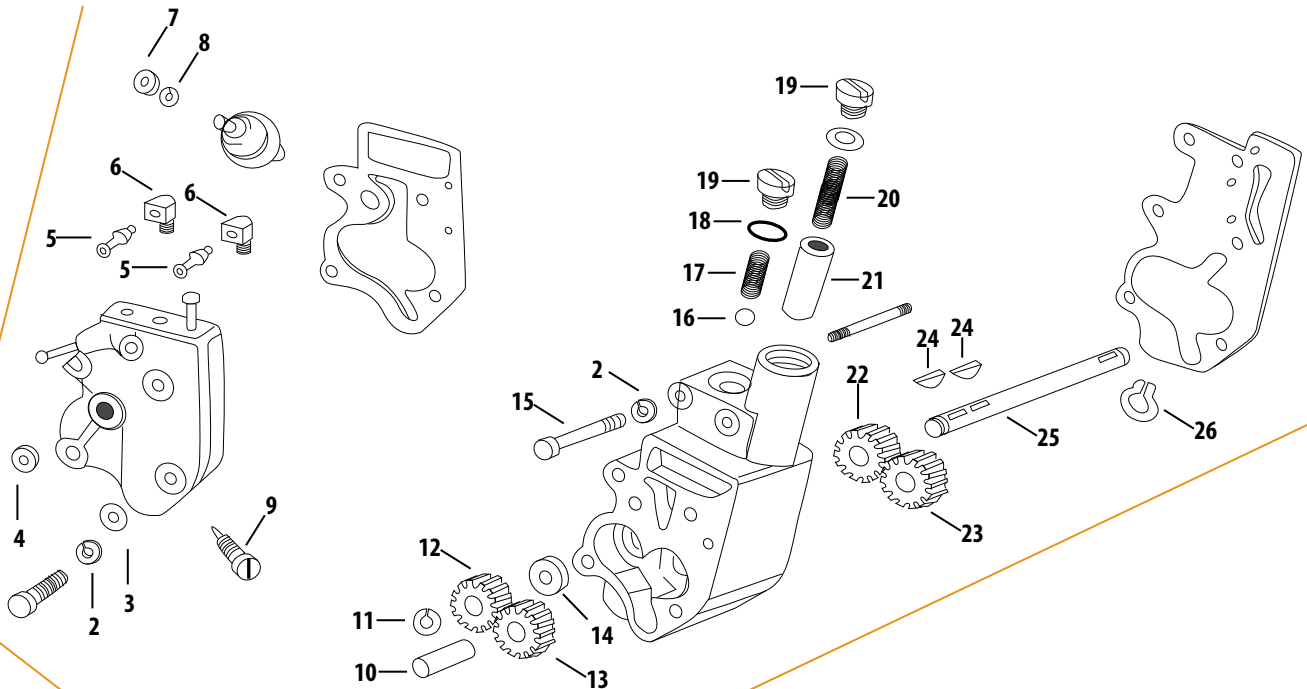
■ = Direct replacement parts



Parts for Twin Cam 88, 96, 103™
Parts for Evolution®
Parts for Sportster®
Parts for Shovelheads
Parts for Panheads
Parts for Knuckleheads
Parts for Flatheads
Index Cross Reference

OIL PUMP STOCK REPLACEMENT PARTS FOR HARLEY-DAVIDSON® SHOVELHEAD MODELS

1- Oil Pump, Kit, Universal, Polished, Billet, 1970-'91 bt (H-D 26190-73).....	31-6203	17- Spring, Check Valve, .020" Wire, .265" x .319" x 1.940", Music Wire, 1936-'99 bt (H-D 26262-80) each.....	31-6022
2- Washer, Lock, .250" (H-D 7036) each.....	50-7019	10 pack.....	31-6092
3- Washer, Flat, .281" x .625" x .080", Zinc, Steel (H-D 6703) each.....	50-7021	18- O-ring, (-013), .437" ID x .565" OD, ® (H-D 11105) each.....	50-8008
10 pack.....	50-7074	10 pack.....	50-8078
4- Plug, Pipe, ¼ Taper, ⅛-27 NPTF x .188", Zinc, Steel (H-D 45830-48).....	50-8331	19- Screw, Oil Pump/Check Valve/Relief Va, Zinc, Steel (H-D 26263-80) each.....	31-6021
5- Fitting, Hose, Straight, ⅛-27 NPTF x .500", Zinc, Steel (H-D 63533-41).....	50-8115	5 pack.....	31-7005
6- Fitting, Pipe, 90°, Male/Female, ⅛-27 NPTF x .500", Zinc Plated, Steel (H-D 26338-68)....	106-2682	20- Spring, Relief Valve, .040" Wire, .242" x .324" x 2.32", ASTM A-229, 1936-'99 bt (H-D 26207-83).....	31-6018
2 pack.....	50-8280	21- Valve, Pressure Relief, Oil Pump, 1984-'99 bt (H-D 26400-82).....	31-6082
5 pack.....	50-1007	22- Gear;Return Drive;1968-'99 bt (H-D 26315-68A).....	31-6013
7- Nut, HH, 10-32 UNF-2B x .130", Zinc, Steel (H-D 7634).....	50-5000	23- Gear, Return Idler, 1968-'99 bt (H-D 26317-68A).....	31-6014
8- Washer, Lock, .200" x .334" x .047", Stainless Steel (H-D 7069) each.....	50-7000	24- Key, Woodruff, .094" x .313" x .311", Steel (H-D 26348-15) each.....	50-8220-5
9- Screw, Chain Oiler, Zinc, Steel (H-D 63614-72).....	31-6026	10 pack.....	50-8229
10- Shaft, Idler, .4243" x 1.3350", Cold Drawn Steel, AISA 1215, 1968-'99 bt (H-D 26327-68).....	31-6004	25- Shaft, Drive, Oil Pump, .4223" x 4.650", Cold Drawn Steel, AISI 1146, 1968-'99 bt (H-D 26346-70).....	31-6011
11- Retaining Ring, Oil Pump Drive Shaft, SAE 1060-1090 (H-D 26348-36) each.....	50-8058	10 pack.....	50-8107
10 pack.....	50-8106	26- Retaining Ring, Oil Pump Drive Gear, Carbon Steel, SAE 1060-1090 (H-D 11002) each.....	50-8059
12- Gear, Supply Drive, 1936-up bt (H-D 26328-74).....	31-6015	10 pack.....	50-8107
13- Gear, Supply Idler, 1936-up bt (H-D 26326-62A).....	31-6016		
14- Seal;Oil Pump Drive Shaft;1968-up bt (H-D 26227-58).....	31-6005		
15- Screw, HHC, Gr5, ¼-20 x 1-½", Zinc, Steel (H-D 2872W) each.....	50-0080		
16- Ball, Check Valve, .375", Stainless Steel (H-D 8866).....	50-8091		



■ = Not direct replacement parts
 ■ = Direct replacement parts

Parts for
Twin Cam 88, 96, 103™

Parts for
Evolution®

Parts for
Sportster®

Parts for
Shovelheads

Parts for
Panheads

Parts for
Knuckleheads

Parts for
Flatheads

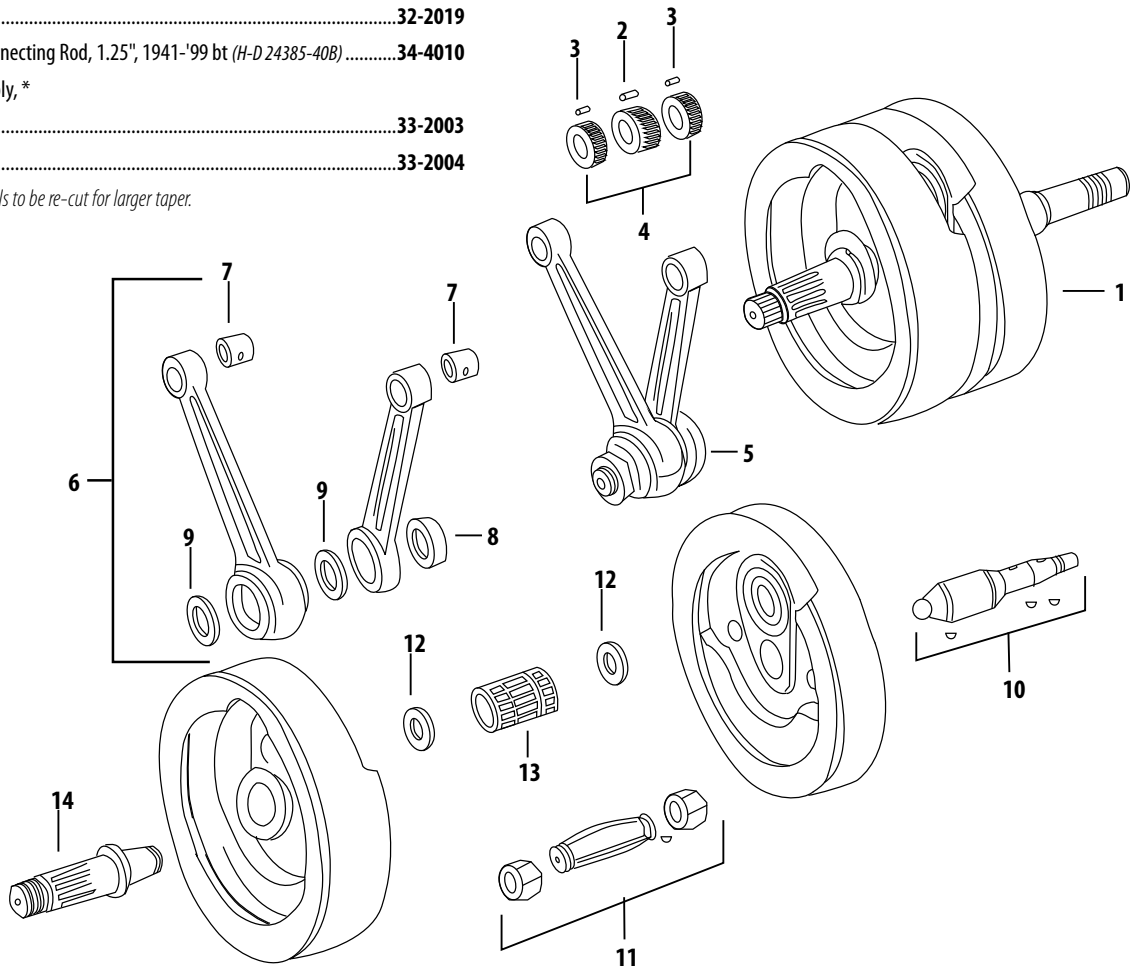
Index
Cross Reference

Harley-Davidson® Shovelhead Models

FLYWHEEL STOCK REPLACEMENT PARTS FOR HARLEY-DAVIDSON® SHOVELHEAD MODELS

1- Flywheel, Set, Special Order, 1936-'99 bt 3 ¹ / ₂ " Stroke, 8 ¹ / ₂ " Diameter (H-D 23906-74).....	32-2014
4" Stroke, 8 ¹ / ₂ " Diameter (H-D 23906-78B/D).....	32-2050
2- Bearing, Front, Rod, Standard, Alloy (H-D 9186)	34-4033
3- Bearing, Rear, Rod, Standard, Alloy (H-D 9441A).....	34-4034
4- Bearing Cage, Set, Connecting Rod, 1.25", Alloy, bt	34-4020
5- Connecting Rod, Set, Heavy Duty, IBC, .791" WP, 7.440"	
1941- E'81 bt.....	34-7004
1981-'84 bt.....	34-7011
6- Rebuild Kit, Connecting Rod, Race & Bushing, 1941-'99 bt	34-4040
<i>Rebuild Kit includes two of #7 & #9, one of #8</i>	
7- Bushing, Wristpin, .767" x .895" x 1.077", Bronze, 1941-'99 bt (H-D 24334-36)...	34-4007
8- Race;Front;Connecting Rod;1941-'99 bt (H-D 24356-36A).....	34-4005
9- Race, Rear, Connecting Rod, 1941-'99 bt (H-D 24345-36A)	34-4006
10- Pinion Shaft, Assembly, Tapered, Standard	
1958-E'81 bt	33-2024
S&S Flywheels, L1981-'99 bt	33-2027
11- Crankpin, Assembly, Tapered, , 1.249	
1941-'81 bt.....	34-2003
1981-up bt	34-2102
12- Washer, Flywheel, Thrust, w/ 1.250" Crankpin, 1.415" x 2.329" x .065", Phosphor Bronze (H-D 6506).....	32-2019
13- Bearing, Assembly, Connecting Rod, 1.25", 1941-'99 bt (H-D 24385-40B)	34-4010
14- Sprocket Shaft, Assembly, *	
1965-'69 bt.....	33-2003
1970-'99 bt.....	33-2004

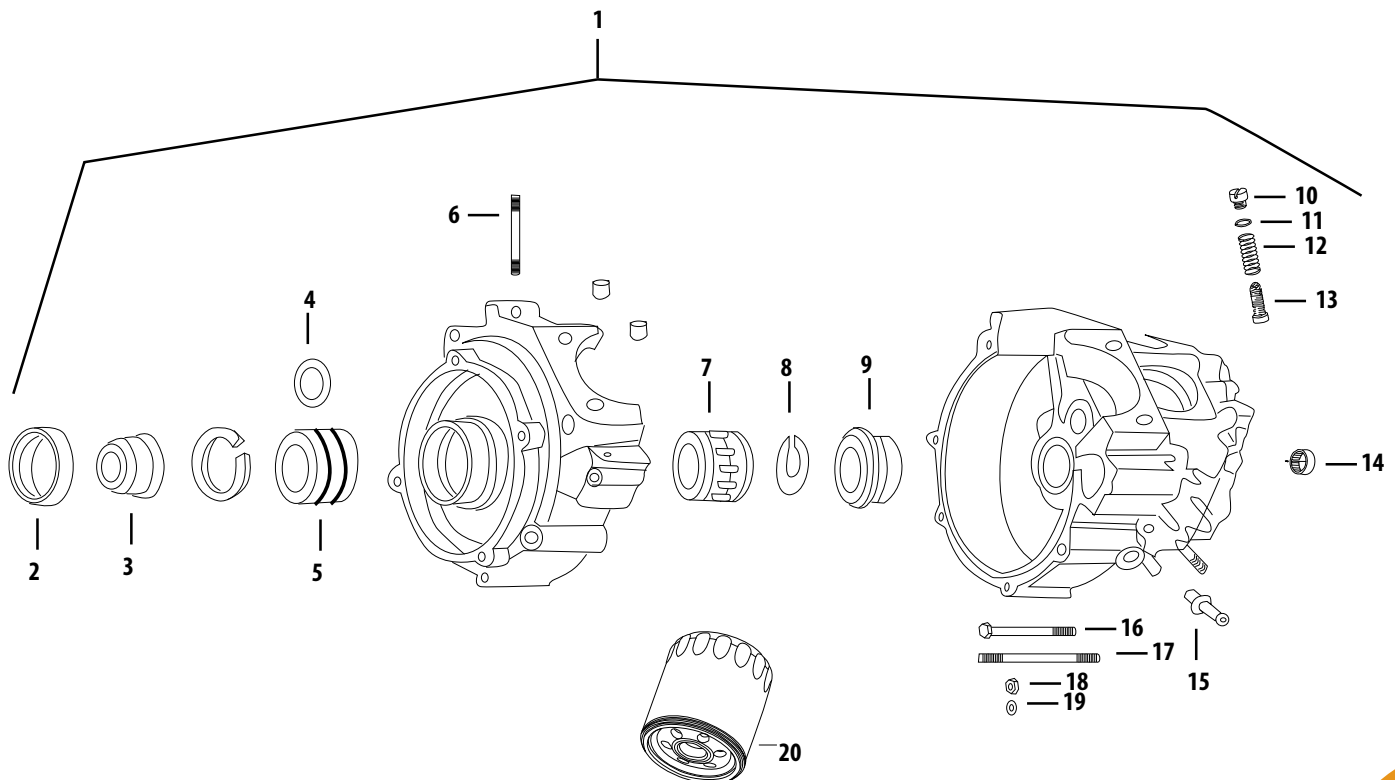
*Note: Requires flywheels to be re-cut for larger taper.



Parts for Twin Cam 88, 96, 103™
 Parts for Evolution®
 Parts for Sportster®
 Parts for Shovelheads
 Parts for Panheads
 Parts for Knuckleheads
 Parts for Flatheads
 Index
 Cross Reference

CRANKCASE STOCK REPLACEMENT PARTS FOR HARLEY-DAVIDSON® SHOVELHEAD MODELS

1- Crankcase, Assembly, Stock Bore, Natural, 2B Generator, 1965-'69 bt	31-0010
Alternator, 1970-'84 bt.....	31-0003
2- Seal, Left, Main Bearing, 1.750" x 2.507" x .3130", 1970-up bt (H-D 12026B)	31-4010
3- Spacer, Sprocket Shaft Drive Sprocket 1970-'84 (H-D 24002-70)	31-4011
1966-'69	31-4014
4- Spacer, Left, Main Bearing, Steel 1969-99 bt .100" (H-D 9124).....	31-4071
.102" (H-D 9125).....	31-4072
.104" (H-D 9126).....	31-4073
.106" (H-D 9127).....	31-4074
.108" (H-D 9128).....	31-4075
.120" (H-D 9134).....	31-4076
5- Bearing, Assembly, Left, Main (H-D 9028).....	31-4013
6- Stud, Cylinder Base, 7/16-14 UNC, 7/16-20 UNF x 2.0, Zinc, Steel (H-D 16837-30) each	31-2328-S
8 pack	31-2328
7- Bearing, Assembly, Right, Main Small/Medium, White (H-D 24626-87A).....	31-4005
Small, Green (H-D 24628-87A).....	31-4016
Large, Red (H-D 24641-87A).....	31-4017
Medium/Large, Blue (H-D 24643-87A).....	31-4018
8- Retaining Ring, External, Pinion Bearing, 1.160" x 1.480" x .046", Carbon Steel, SAE 1060-1090 (H-D 11177A) each	50-8057
5 pack.....	50-1004
9- Race, Right, Main Bearing Standard (H-D 24599-93, 24599-58A).....	31-4004
+ .005" (H-D 24601-58B).....	31-4007
10- Screw, Oil Pump/Check Valve/Relief Va, Zinc, Steel (H-D 26263-80) each.....	31-6021
5 pack.....	31-7005
11- O-ring, (-013), .437" ID x .565" OD, ° (H-D 11105) each	50-8008
10 pack.....	50-8078
12- Spring, Crankcase Oil Screen, .040" Wire, .340" x .420" x 1.375", Music Wire (H-D 24982-70) each	31-2011-S
10 pack.....	31-2058
13- Screen, Crankcase Oil (H-D 24981-70) each.....	31-2010
5 pack	31-7008
14- Bearing, Assembly, Needle, Cam (H-D 9058).....	31-4009
15- Fitting, Pipe, Straight, 1/8-27 NPTF x 7/16-24 UNS-2A (H-D 62484-81)	31-2021
16- Screw, HHC, Gr8, 5/16-24 x 5", Zinc, Steel (H-D 3430).....	50-0119
17- Stud, Crankcase Alignment, 5/16-24 UNF x 5.750", Zinc, Steel (H-D 3506)	31-2003
18- Nut, HH, 5/16-24 UNF-2B x .273", Zinc, Steel (H-D 7833).....	50-5023
Nut, HH, 1/4-28 UNC-2B x .226", Zinc, Steel (H-D 7675, 7676, 7683) each.....	50-5011
19- Washer, Flat, .281" x .625" x .080", Zinc, Steel (H-D 6245) each	50-7021
10 pack	50-7074
Washer, Flat, .344" x .688" x .065", Zinc, Steel (H-D 6016, 6702) each.....	50-7034
20- Filter, Oil, 1980-'84 (not included in the crankcase assembly) Chrome (H-D 63796-77A) each	31-4102
Case (12 pack)	310-0240
Black (H-D 63810-80) each.....	31-4101
Case (12 pack)	310-0239

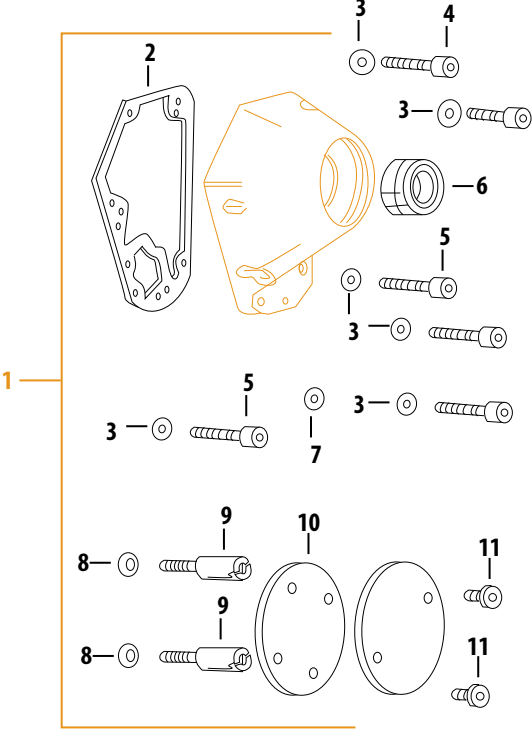


Harley-Davidson® Shovelhead Models

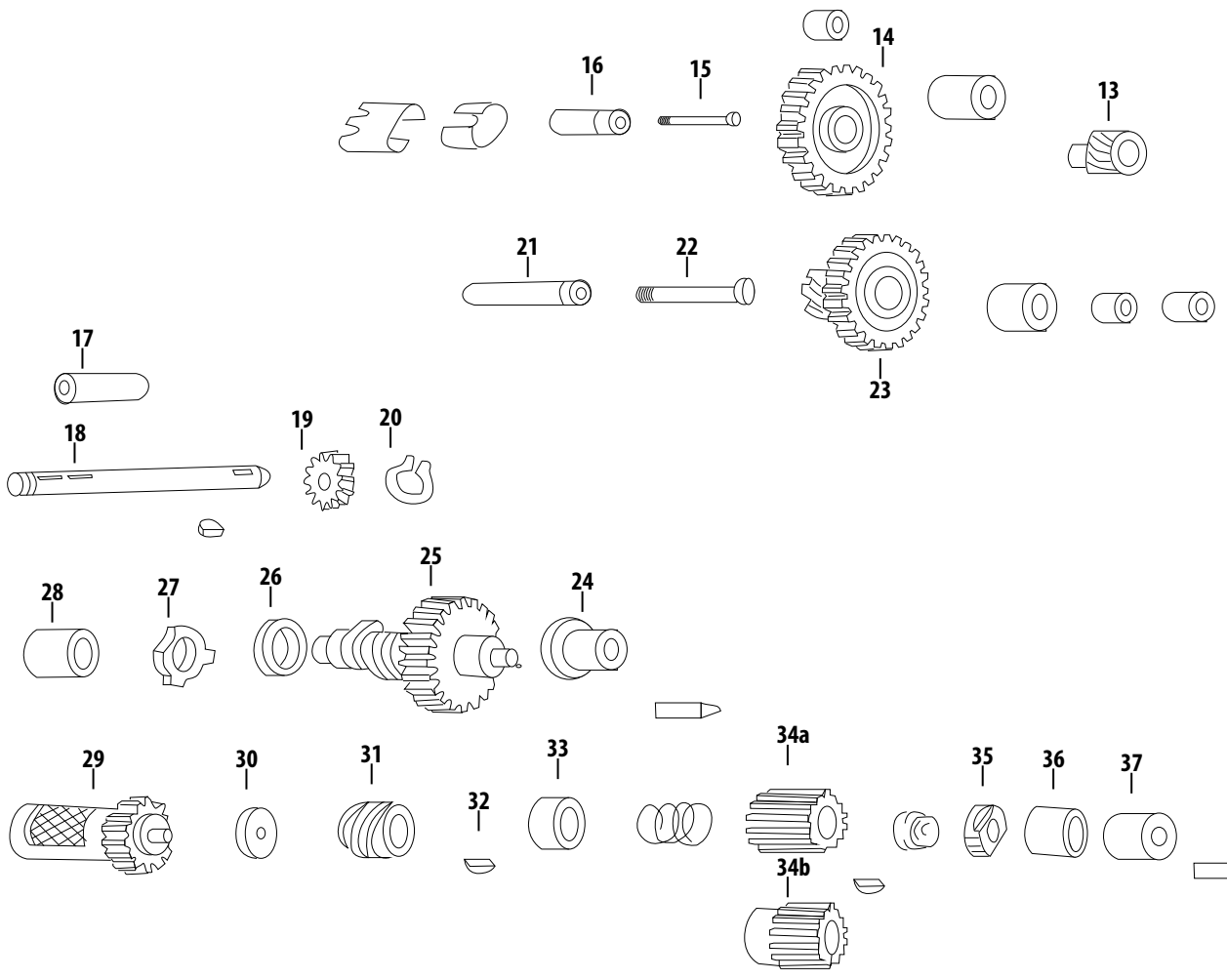
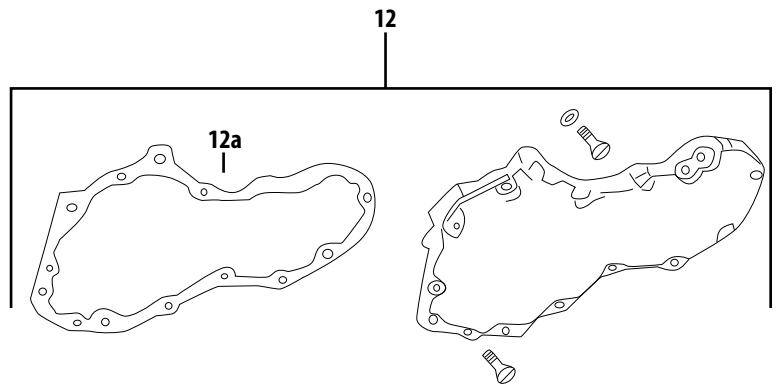
GEARCOVER STOCK REPLACEMENT PARTS FOR HARLEY-DAVIDSON® SHOVELHEAD MODELS

1- Gearcover, Kit, Alternator, Billet Ignition Cover, 1973-'92 bt Polished..... 31-0335 Chrome..... 106-4211 Gearcover Kit Includes #2-11:	5 pack..... 31-7002	+ .030"..... 33-4242
2- Gasket, Gearcover, Undersized Profile, 1970-'99 bt (H-D 25225-70A & 25225-70B) each..... 31-2107 10 pack..... 106-0232	19- Gear, Pinion, Oil Pump Drive, 24 Tooth, 1936-'69 bt (H-D 26345-73)..... 33-4230	30- Shim, Breather Gear, Steel, .325" x .740" x (fits stock 1979-'82 & all S&S steel breather gears) .100" each..... 33-4200 5 pack..... 33-1000 .110" (H-D 25320-79) each..... 33-4201 5 pack..... 33-1001 .120" (H-D 25322-79) each..... 33-4202 5 pack..... 33-1002 .130" (H-D 25325-79) each..... 33-4203 .140" (H-D 25327-79) each..... 33-4204 5 pack..... 33-1004 .150" each..... 33-4205 5 pack..... 33-1005 .160" each..... 33-4206 8 pack (includes one each of .100"- .170") 33-4249
3- Washer, .261" x .474" x .050", Annealed, Stainless Steel (H-D 6099) each..... 50-7020 10 pack..... 50-7076	20- Retaining Ring, External, Tru-arc, .366" x .025", (H-D 11002) each..... 50-8059 10 pack..... 50-8107	31- Gear, Pinion, Oil Pump Drive, , 6 Tooth, 1954-'89 bt (H-D 26349-73)..... 33-4232
4- Screw, SFH, 1/4-20 x 1-3/4", Black, Alloy Steel (H-D 905) each..... 50-0334-S 5 pack..... 50-0334	21- Shaft, Circuit Breaker Drive Gear, 1936-'69 bt (H-D 25856-36)..... 31-2037	32- Key, Woodruff, .094" x .313" x .311", Steel (H-D 26348-15) each..... 50-8220-S 10 pack..... 50-8229
5- Screw, PHIL/OH, 1/4-20 x 1" Black Alloy Steel (H-D 902) each..... 50-0310-S 3 pack..... 50-0310 Nickel Stainless Steel (H-D 1305) each..... 50-0072 10 pack..... 50-0094	22- Screw, SHCS, 1/4-20 x 3 1/4", Zinc, ASTM A574-92A (H-D 1430)..... 50-0012	33- Spacer, Oil Pump Drive Gear, .740" x .900" x .320", Black, Steel, 1954-'89 bt (H-D 24703-54)..... 33-4289
6- Seal, Gearcover Cam, 1" x 1.441" x .250", 1970-up bt (H-D 83162-51)..... 31-4022	23- Gear, Assembly, Circuit Breaker, 1936-'69 bt (H-D 25850-36A)..... 33-4215	34- Gear, Pinion a. 1954-E'77 bt Orange..... 33-4121 Black..... 33-4122 Red..... 33-4123 Blue..... 33-4124 Green (H-D 24010-54)..... 33-4125 White..... 33-4126 Brown..... 33-4127 Yellow..... 33-4128 b. L1977-'89 Orange (H-D 24040-78)..... 33-4141 White (H-D 24041-78)..... 33-4142 Yellow (H-D 24042-78)..... 33-4143 Red (H-D 24043-78)..... 33-4144 Blue (H-D 24044-78)..... 33-4145 Green (H-D 24045-78)..... 33-4146 Black (H-D 24046-78)..... 33-4147
7- Washer, .261" x .474" x .050", Annealed, Stainless Steel (H-D 6192)..... 50-7020	24- Bushing, Cam, Bronze 1936-'69 bt (H-D# 25581-36)..... 31-4025 1973-'92 bt (H-D 25581-70)..... 31-4019	35- Nut, Pinion Gear, 5/8-24 UNEF-3B LH x .375", Black, Steel, 4140 (H-D 24023-54)..... 33-4244
8- Washer, Flat, .281" x .625" x .080", Zinc, Steel (H-D 6194 & 6703) each..... 50-7021 10 pack..... 50-7074	25- Camshaft, Bolt-in Crane Cams, Replacement H grind, 1970-'77 bt (H-D 25523-70)..... 1-0010 Crane Cams, Replacement H grind, 1978-'84 bt (H-D 25530-81)..... 1-0011	36- Bushing; Pinion Shaft; Bronze; 1973-'92 bt (H-D 22582-73)..... 31-4031
9- Screw, Timing Mechanism, Steel (H-D 32606-82) each..... 31-0224 2 pack..... 31-0224P	26- Washer, Cam, Thrust, .820" x 1.060" x .050" (H-D 25550-36) each..... 33-5200 5 pack..... 33-1007 .055" (H-D 25551-36) each..... 33-5202 5 pack..... 33-1008 .060" (H-D 25552-36) each..... 33-5203 5 pack..... 33-1009 .065" (H-D 25553-36) each..... 33-5204 5 pack..... 33-1010 .070" (H-D 25554-36) each..... 33-5205 5 pack..... 33-1011 .075" (H-D 25555-36) each..... 33-5206 5 pack..... 33-1012 .080" (H-D 25556-36) each..... 33-5207 5 pack..... 33-1013 .090" (H-D 25558-36) each..... 33-5209 5 pack..... 33-1014	37- Bushing, Pinion Shaft, Bronze, 1954-'72 bt (H-D 25582-54A)..... 31-4020
10- Gasket, Ignition Cover, 1970-'99 bt (H-D 32591-70 & 32591-80) each..... 31-0225 10 pack..... 31-0260	27- Washer, Cam, Lock, .062", Steel, 1958 - 99 bt (H-D 25550-57) each..... 33-5201 5 pack..... 33-5213	
11- Screw, FHCS, 8-32 x 1/2", Stainless Steel (H-D 1601) each..... 50-0353-S 10 pack..... 106-3456	28- Bearing, Assembly, Needle, Cam (H-D 9058) 31-4009	
12- Gearcover, Kit, Generator, Flatside, Natural, 1966-'69 bt 106-1625 a. Gasket, Gearcover, 1965-'69 bt (H-D# 25225-36C)..... 106-2072	29- Gear, Breather 1948-E'77 bt (H-D 25313-73)..... 33-4246 + .030"..... 33-4247 1977-'99 bt (H-D 25313-77B)..... 33-4241	
13- Gear, Circuit Breaker, , 1936-'69 bt (H-D 32531-36)..... 33-4217		
14- Gear, Idler, , 1936-'69 bt (H-D 25775-36)..... 33-4216		
15- Screw, SHCS, 1/4-20 x 2", Zinc, ASTM A574-92A (H-D 25794-36)..... 50-0013		
16- Shaft, Idler Gear, .5556" x 1.8760", AISA 8620H, 1936-'69 bt (H-D 25791-36)..... 31-2039		
17- Bushing, Drive Shaft, Oil Pump, Stepped, .424" x .533" x 2.540", Bronze, 1936-up bt (H-D 24641-36)..... 31-4008		
18- Shaft, Drive, Oil Pump, .4223" x 4.650", Cold Drawn Steel, AISI 1146, 1968-'99 bt (H-D 26346-70) each..... 31-6011		

Stock Replacement Parts from S&S®



■ = Not direct replacement parts
 ■ = Direct replacement parts



Parts for
Twin Cam 88, 96, 103™

Parts for
Evolution®

Parts for
Sportster®

Parts for
Shovelheads

Parts for
Panheads

Parts for
Knuckleheads

Parts for
Flatheads

Index
Cross Reference

Harley-Davidson® Shovelhead Models

TRANSMISSION STOCK REPLACEMENT PARTS FOR HARLEY-DAVIDSON® SHOVELHEAD MODELS

1- Cover, Kit, Transmission Kick Start, Stock 1940-'50 bt (H-D 33277-36A) **106-6479-00**

Cover Kit Includes #2-4:

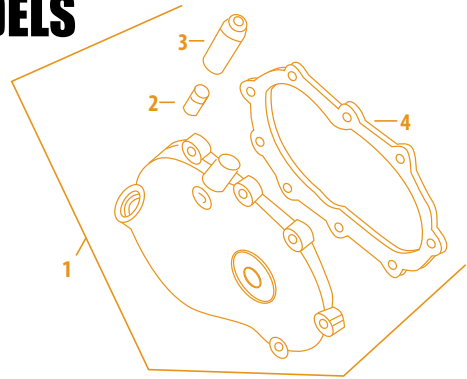
2- Bushing, Lower, Clutch Arm, Transmission Cover, Kick Start (H-D 33290-38)..... **106-6473**

2- Bushing, Upper, Clutch Arm, Transmission Cover, Kick Start (H-D 33291-36)..... **106-6474**

4- Gasket, Cover, Transmission Kick Start, Flathead Power®, Stock 1937-'50 bt (H-D 33295-36)..... **560-0012**

■ = Not direct replacement parts

■ = Direct replacement parts



IGNITION SYSTEM STOCK REPLACEMENT PARTS FOR HARLEY-DAVIDSON® SHOVELHEAD MODELS

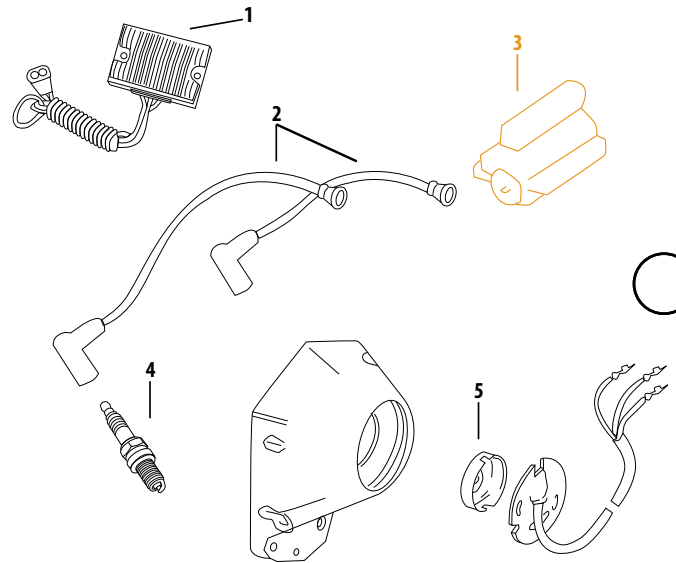
1- Performance Replacement Voltage Regulator, Chrome, 1981-'84 bt (H-D 74513-82A) **8-4061**

2- Spark Plug Wires, FireWire®
 1979-'85 FX **8-5003**
 1950-'84 FLT **8-5004**
 1979-'82 FLH **8-5006**
 1982-'84 FXR **8-5007**
 1991-'99 Softail® **8-5008**

3- Hi-Intensity Performance Dual Fire Coil, 1970-'84 bt* **8-3002***
 * 3Ω electronic ignition

4- Spark Plugs, 1970-'84 bt
 12mm, each **55-1320**
 2 pack **55-1322**
 14mm, each **55-1321**
 2 pack **55-1323**

5- Ignition Rotor, 1980-'84 bt* (H-D 32402-83 & 32401-80) **8-1150**
 * Can be retro-fitted for 1970-'79 bt



INTAKE MANIFOLD STOCK REPLACEMENT PARTS FOR HARLEY-DAVIDSON® SHOVELHEAD MODELS

1- Manifold, 1 7/8", #220, Natural, 1957-'78 bt
 O-ring Style (H-D 27021-71A) **16-1200**
 Band Style (H-D 27021-78) **16-1300**

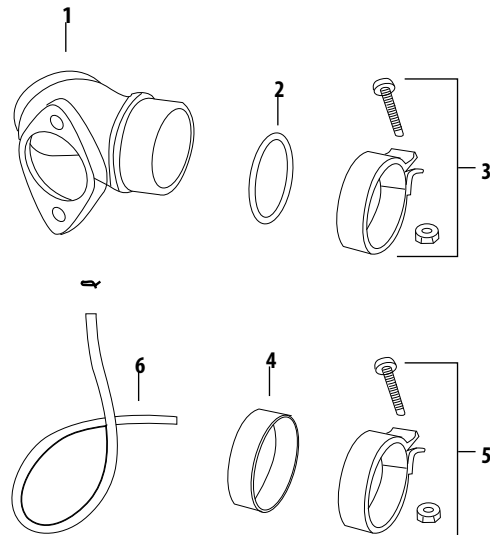
2- O-ring, (-326), 1.625" ID x 2" OD, Black, (H-D 27060-55)
 each **50-8046**
 10 pack **50-8132**

3- Clamp, Manifold, O-ring Style (H-D 27063-57)..... **16-0230**

4- Seal, Manifold, Band Style, 2.010" x 2.315" x .7870", Buna, 1979-'84 bt (H-D 27062-78)
 each **16-0238**
 10 pack **16-0245**

5- Clamp;Manifold;Band Style (H-D 27063-78 & 27063-80)..... **16-0231**

6- Hose, Overflow, .125" x .250" x 24", Plastic, Duro 68A (H-D 27369-76)
 each **19-0262-S**
 5 pack **19-0263**



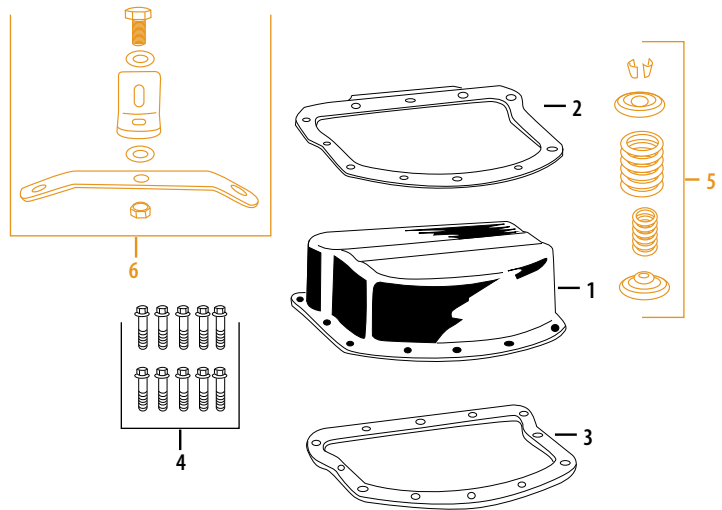
Parts for Twin Cam 88, 96, 103™
 Parts for Evolution®
 Parts for Sportster®
 Parts for Shovelheads
 Parts for Panheads
 Parts for Knuckleheads
 Parts for Flatheads
 Index
 Cross Reference

ROCKER COVER STOCK REPLACEMENT PARTS FOR HARLEY-DAVIDSON® PANHEAD MODELS

- 1- Cover, Set, Rocker Arm, Chrome, Steel, 1948-'65 bt (H-D 17500-48A) **106-0919**
- 2- Ring, Set, Rocker Cover, D Style, 1948-'65 bt (H-D 17507-51) **106-0920**
- 3- Gasket, Rocker Cover, Rubber, 1948-'65 OHV bt (H-D 117541-48) each **900-0329**
Set of Two **900-0339**
- 4- Screw, SHC, 10-24 x 3/4", Chrome (H-D 2675) **106-0913**
- 5- Spring, Kit, Valve,
Triple, Steel, .590", 1948-E'81 bt (H-D 18201-57B & 18204-36A) 90-2060
Dual, Steel, .550", 1948-'84 bt 90-2053
- 6- Mount, Top, Engine, 2-Piece, Natural, Steel, 1948-'84 bt **93-4057**

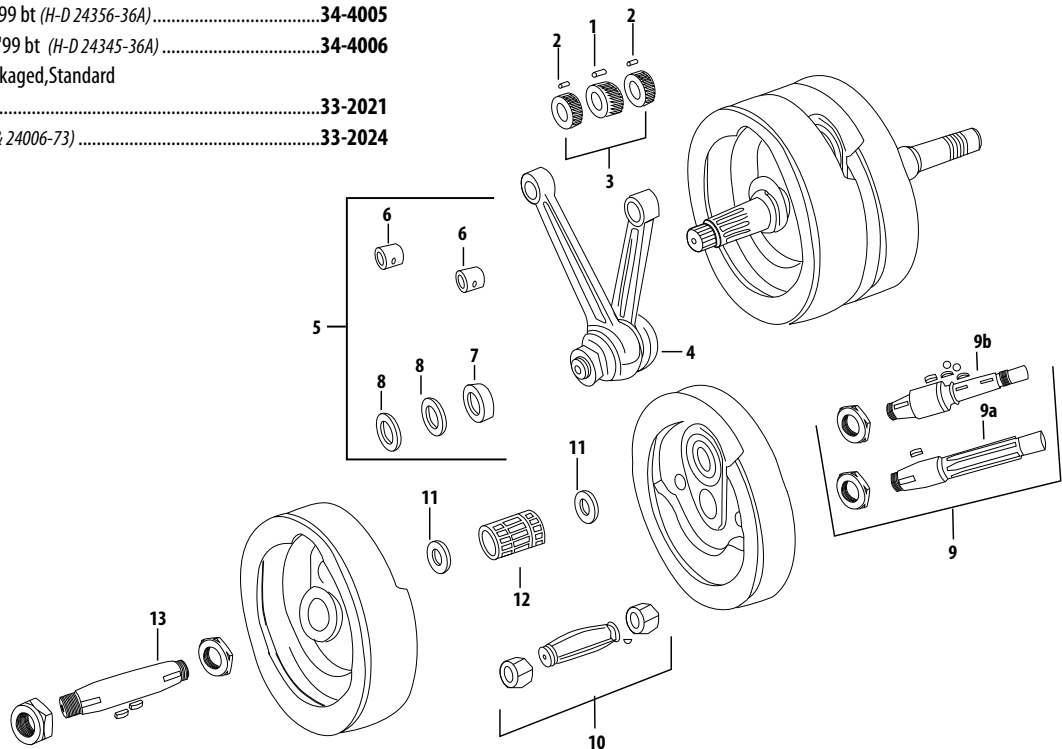
■ = Not direct replacement parts

■ = Direct replacement parts



FLYWHEEL STOCK REPLACEMENT PARTS FOR HARLEY-DAVIDSON® PANHEAD MODELS

- 1- Bearing, Front, Rod, Standard, Alloy (H-D 9186) **34-4033**
- 2- Bearing, Rear, Rod, Standard, Alloy (H-D 9441A) **34-4034**
- 3- Bearing Cage, Set, Connecting Rod, 1.25", Alloy, bt **34-4020**
- 4- Connecting Rod, Set, Heavy Duty, IBC, .791" WP, 7.440"
 1941- E'81 bt **34-7004**
- 5- Rebuild Kit, Connecting Rod, Race & Bushing, 1941-'99 bt **34-4040**
Rebuild Kit includes two of #7 & #9, one of #8
- 6- Bushing, Wristpin, .767" x .895" x 1.077", Bronze, 1941-'99 bt (H-D 24334-36) each **34-4007**
- 7- Race, Front, Connecting Rod, 1941-'99 bt (H-D 24356-36A) **34-4005**
- 8- Race, Rear, Connecting Rod, 1941-'99 bt (H-D 24345-36A) **34-4006**
- 9- Pinion Shaft, Assembly, Tapered, Packaged, Standard
 a. 1939-'53 bt (H-D 24007-39) **33-2021**
 b. 1958-E'81 bt (H-D 24006-54A & 24006-73) **33-2024**
- 10- Crankpin, Assembly, Tapered, , 1.249
 1941-'81 bt **34-2003**
- 11- Washer, Flywheel, Thrust, w/ 1.250" Crankpin, 1.415" x 2.329" x .065", Phosphor Bronze (H-D 6506) **32-2019**
- 12- Bearing, Assembly, Connecting Rod, 1.25", 1941-'99 bt (H-D 24385-40B) **34-4010**
- 13- Sprocket Shaft, Assembly, Packaged, 1936-'54 bt **33-2001**



Parts for
Twin Cam 88, 96, 103™

Parts for
Evolution®

Parts for
Sportster®

Parts for
Snowballheads

Parts for
Panheads

Parts for
Knuckleheads

Parts for
Flatheads

Index
Cross Reference

GEARCOVER STOCK REPLACEMENT PARTS FOR HARLEY-DAVIDSON® PANHEAD MODELS

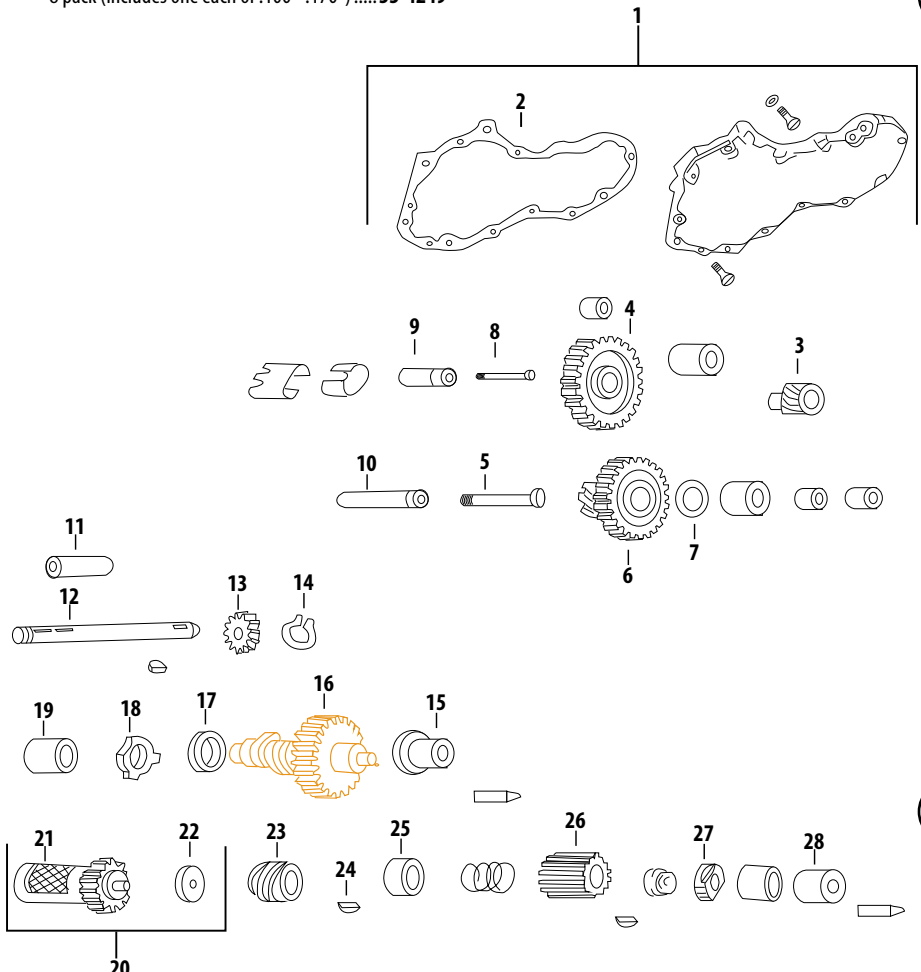
1- Gearcover, Kit, Generator	
8 Ribbed, Stock Pinion Shaft, Natural, Late 1948-'53 bt (H-D 25216-48).....	106-3499
4 Ribbed, Bushing Style, Stock Style Case, Natural, Cast, 1954-'62 bt (H-D 25216-58).....	31-0240
Flatside, Stock Style, Natural, 1965 bt	106-1619
2- Gearcover gasket	
1936-'64 S&S BT (H-D# 25225-36A)	31-2030
1965-'69 S&S BT (H-D# 25225-36C).....	106-2072
3- Gear, Circuit Breaker, , 1936-'69 bt (H-D 32531-36).....	33-4217
4- Gear, Idler, , 1936-'69 bt (H-D 25775-36)	33-4216
5- Screw, SHCS, 1/4-20 x 3 1/4", Zinc, ASTM A574-92A (H-D 1430).....	50-0012
6- Gear, Assembly, Circuit Breaker, 1936-'69 bt (H-D 25850-36A)	33-4215
7- Circuit Breaker Drive/Idler Gear Shims	
Fits 1936-'69 big twin engines.	
.050" Thick	33-4221
.054" Thick	33-4222
.058" Thick	33-4223
.062" Thick	33-4224
.066" Thick	33-4225
8- Screw, SHCS, 1/4-20 x 2", Zinc, ASTM A574-92A (H-D 25794-36).....	50-0013
9- Shaft, Idler Gear, .5556" x 1.8760", AISA 8620H, 1936-'69 bt (H-D 25791-36).....	31-2039
10- Shaft, Circuit Breaker Drive Gear, 1936-'69 bt (H-D 25856-36).....	31-2037
11- Bushing, Drive Shaft, Oil Pump, Stepped, .424" x .533" x 2.540", Bronze, 1936-up bt (H-D 24641-36)	31-4008
12- Shaft, Drive, Oil Pump, .4223" x 4.650", Cold Drawn Steel, AISI 1146, 1968-'99 bt (H-D 26346-70) each	31-6011
5 pack.....	31-7002
13- Gear, Pinion, Oil Pump Drive, 24 Tooth, 1936-'69 bt (H-D 26345-73).....	33-4230
14- Retaining Ring, External, Tru-arc, .366" x .025", (H-D 11002) each	50-8059
10 pack	50-8107
15- Bushing, Cam, Bronze, 1936-'69 bt (H-D# 25581-36) 31-4025	
16- Camshaft, Bolt-in	
S&S 450S, 1966-'69 bt.....	33-5062
Crane Cams, Bolt-in, 1966-'69 bt	1-0100
17- Washer, Cam, Thrust, .820" x 1.060" x	
.050" (H-D 25550-36) each	33-5200
5 pack.....	33-1007
.055" (H-D 25551-36) each	33-5202
5 pack.....	33-1008
.060" (H-D 25552-36) each	33-5203
5 pack.....	33-1009
.065" (H-D 25553-36) each	33-5204
5 pack.....	33-1010
.070" (H-D 25554-36) each	33-5205
5 pack.....	33-1011
.075" (H-D 25555-36) each	33-5206
5 pack.....	33-1012
.080" (H-D 25556-36) each	33-5207
5 pack.....	33-1013
.090" (H-D 25558-36) each	33-5209
5 pack.....	33-1014

18- Washer, Cam, Lock, .062", Steel, 1958 - 99 bt (H-D 25550-57) each	33-5201
5 pack.....	33-5213
19- Bearing, Assembly, Needle, Cam (H-D 9058).....	31-4009
20- Gear, Kit, Breather, 1948-E'77 bt	
Standard.....	33-4253
+ .030".....	33-4263
(Breather Gear Kit includes #20-21)	
21- Gear, Breather 1948-E'77 bt	
Standard.....	33-4246
+ .030".....	33-4247
22- Shim, Breather Gear, Steel, .325" x .740" x (fits stock 1979-'82 & all S&S steel breather gears)	
.100" each.....	33-4200
5 pack.....	33-1000
.110" (H-D 25320-79) each	33-4201
5 pack.....	33-1001
.120" (H-D 25322-79) each	33-4202
5 pack.....	33-1002
.130" (H-D 25325-79) each	33-4203
.140" (H-D 25327-79) each	33-4204
5 pack.....	33-1004
.150" each.....	33-4205
5 pack.....	33-1005
.160" each.....	33-4206
8 pack (includes one each of .100"-.170").....	33-4249

23- Gear, Pinion, Oil Pump Drive, , 6 Tooth, 1954-'89 bt (H-D 26349-73)	33-4232
24- Key, Woodruff, .094" x .313" x .311", Steel (H-D 26348-15) each	50-8220-5
10 pack.....	50-8229
25- Spacer, Oil Pump Drive Gear, .740" x .900" x .320", Black, Steel, 1954-'89 bt (H-D 24703-54)	33-4289
26- Gear, Pinion	
a. 1954-E'77 bt	
Orange	33-4121
Black.....	33-4122
Red	33-4123
Blue	33-4124
Green (H-D 24010-54).....	33-4125
White	33-4126
Brown.....	33-4127
Yellow.....	33-4128
27- Nut, Pinion Gear, 5/8-24 UNEF-3B LH x .375", Black, Steel, 4140 (H-D 24023-54)	33-4244
28- Bushing, Pinion Shaft, Bronze, 1954-'72 bt (H-D 25582-54A).....	31-4020

■ = Not direct replacement parts

■ = Direct replacement parts



Parts for Twin Cam 88, 96, 103™
Parts for Evolution®
Parts for Sportster®
Parts for Showelheads
Parts for Panheads
Parts for Knuckleheads
Parts for Flatheads
Index
Cross Reference

TRANSMISSION STOCK REPLACEMENT PARTS FOR HARLEY-DAVIDSON® PANHEAD MODELS

1-Cover, Kit, Transmission Kick Start, Stock 1940-'50bt (H-D 33277-36)..... **106-6479-00**

Cover Kit Includes #2-4:

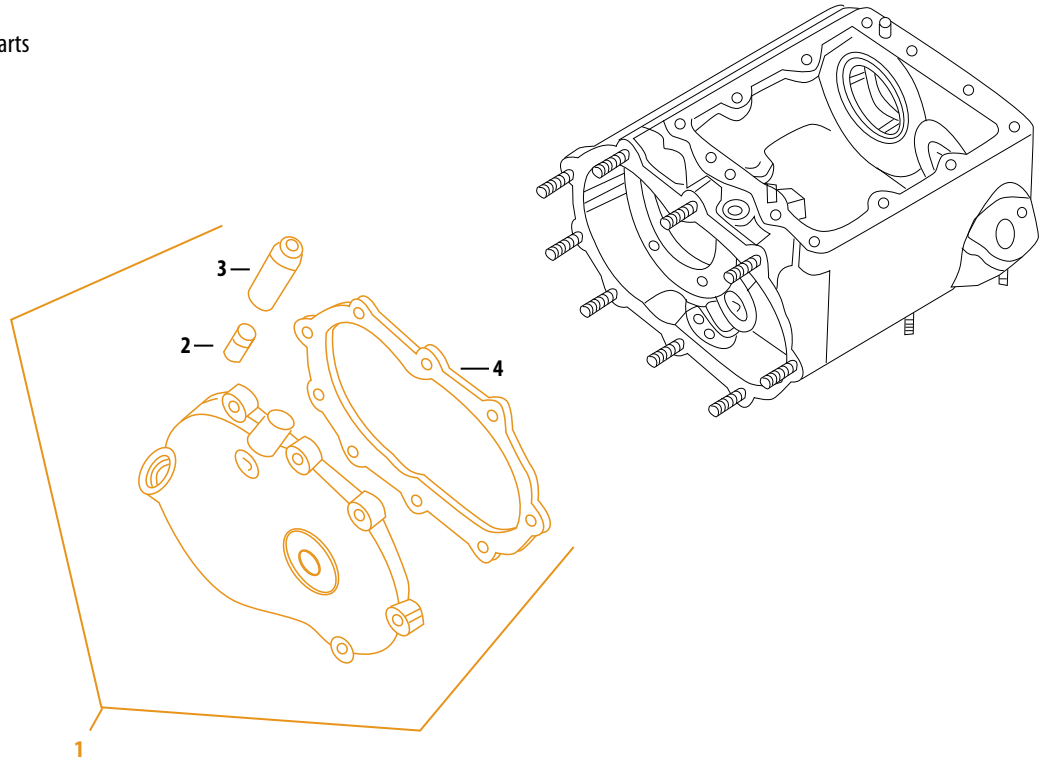
2- Bushing, Lower, Clutch Arm, Transmission Cover, Kick Start (H-D 33290-38)..... **106-6473**

3- Bushing, Upper, Clutch Arm, Transmission Cover, Kick Start (H-D 33291-36)..... **106-6474**

4- Gasket, Cover, Transmission Kick Start, Flathead Power®, Stock 1937-'50 bt (H-D 33295-36)..... **560-0012**

■ = Not direct replacement parts

■ = Direct replacement parts



Parts for
Twin Cam 88®, 96®, 103™

Parts for
Evolution®

Parts for
Sportster®

Parts for
Snowballheads

Parts for
Panheads

Parts for
Knuckleheads

Parts for
Flatheads

Index
Cross Reference

Harley-Davidson® Panhead Models

CRANKCASE STOCK REPLACEMENT PARTS FOR HARLEY-DAVIDSON® PANHEAD MODELS

- | | | |
|--|---|---|
| <p>1. Crankcase, Assembly, Stock Bore, bt, 2B Generator, Natural, 1965-'69 (H-D# 24519-65) 31-0010
1948-'64 (H-D# 24519-55, 24519-58, 24519-63) 31-0008</p> <p>2. Race, right main bearing, All S&S BT
Standard (H-D# 24599-58B) 31-4004
+ .005" O.S. (H-D# 24601-58B) 31-4007
+ .025" O.S. 31-4028
Clearanced for .798" lift 1984-'99 style cam w/ 1" base circle
+ .030" O.S. 31-4030</p> <p>3. Right main bearing assembly BT
White (H-D# 24626-87) 31-4005
Green (H-D# 24628-87) 31-4016
Red (H-D# 24641-87) 31-4017
Blue (H-D# 24643-87) 31-4018</p> <p>4. Retaining ring, main bearing BT
(H-D# 11177, 11177A) each 50-8057
5 pack 50-1004</p> <p>5. Cam needle bearing assembly BT
(H-D# 9058) 31-4009</p> <p>6. Washer, cam lock - BT
1936-'47 OHV 106-4528
1958-'99 bt (H-D# 25550-57) each 33-5201
5 pack 33-5213</p> <p>7. Cam thrust washer - BT
.050" (H-D# 25550-36) each 33-5200
5 pack 33-1007
.055" (H-D# 25551-36) each 33-5202
5 pack 33-1008
.060" (H-D# 25552-36) each 33-5203
5 pack 33-1009
.065" (H-D# 25553-36) each 33-5204
5 pack 33-1010
.070" (H-D# 25554-36) each 33-5205
5 pack 33-1011
.075" each 33-5206
5 pack 33-1012
.080" each 33-5207
5 pack 33-1013
.090" each 33-5209
5 pack 33-1014</p> <p>8. Bushing, oil pump shaft - All S&S BT cases Standard
(H-D# 24641-36) 31-4008</p> <p>9. Screw, Slotted, Oval, Machined, 1/4"-24 x 3/8" ... 106-3847</p> <p>10. Gasket, tappet guide - 1948-'99 BT
Front (H-D# 18634-48C) each 33-5302F
10 pack front 33-5313F
Rear (H-D# 18633-48D) each 33-5302R
10 pack rear 33-5313R
Set (each front & rear) 33-5302
10 pack set 33-5313</p> <p>11. Crankcase oil screen - 1948-'99 BT
(H-D# 24981-70) each 31-2010
5 pack 31-7008</p> <p>12. Crankcase oil screen spring - 1948-'99
big twin (H-D# 24982-70) each 31-2011-S
10 pack 31-2058</p> | <p>13. Cover screw o-ring - 1948-up S&S BT
(H-D# 11105) each 50-8008
10 pack 50-8078</p> <p>14. Cover screw - 1948-'99 S&S BT (H-D# 26263-80)
each 31-6021
5 pack 31-7005</p> <p>15. Cylinder stud
1936-'84 BT Standard each 31-2328-S
8 pack 31-2328
1936-'84 BT + 5/16" longer each 31-2324-S
8 pack 31-2324
1984-up BT (H-D# 16837-85C) each 31-2321-S
8 pack 31-2321</p> <p>16. Crankcase Hardware Generator Cases 1936-'69
(Positions 1, 3 & 4)
Alignment Stud, 5/16" -24 x 6 1/16" 31-2034
(Position 2)
Alignment Stud, 5/16" -24 x 5 3/4"
(H-D# 3506) 31-2003
(Position 5)
Screw, HHCS 5/16" -18 x 3 3/4" 50-0011
(Position 6)
1936-'64 Breather stud (H-D# 24912-48) ... 106-4795
1965-'69 S&S BT cases
Screw, HHCS 5/16" -18 x 3 3/4" 50-0011
(Position 7)
Screw HHCS, 5/16" -24 x 5" (H-D# 3430) 50-0119
(Position 8)
Screw HHCS, 1/4" -28 x 5 1/2" each 50-0090
5 pack 50-0126</p> <p>17. Nut, Hex - 1/4"-28 (H-D# 7675, 7676, 7683) 50-5011</p> <p>18. Washer, flat - 1/4" x 5/8" x 1/16"
Zinc (H-D# 6245) each 50-7021
10 pack 50-7074
Chrome each 50-7104-S
10 pack 106-3453</p> <p>19. Nut, hex - 5/16"-24 zinc
(H-D# 7833) 50-5023
Nut, hex - 5/16"-24 chrome each 50-5029-S
5 pack 106-4749</p> <p>20. Washer, flat - 5/16" x 1 1/16" x 1/16" (H-D# 6016, 6702)
..... 50-7034</p> <p>21. Fitting, 1/8" x 1/8" pipe, male/female 50-8112</p> <p>22. Spacer, Front, Motor Mount, 1948-'65 OHV bt ... 31-2017</p> <p>23. Dowel pin .375" diameter x 3/4"
1936-'64 S&S BT 50-8017</p> <p>24. Fitting, oil line - .375" x 1/8"-27
(H-D# 62484-81) 31-2021</p> <p>25. Plug, SH pipe - 1/8"-27 (H-D# 45830-48)
each 50-8331
10 pack 50-1015</p> <p>26. Fitting, primary oil return (H-D# 63533-65) ... 31-2019</p> <p>27. Fitting, 45° hose - 1/4" pipe male x 3/8" male hose
(H-D# 16302-81) 50-8113</p> <p>28. Plug, SH pipe, 1/4"-18, 1965-'69 S&S BT
(H-D# 765) 50-8330</p> | <p>29. Fitting, hose - 1/8"-27 pipe male
(H-D# 63533-41) 50-8115</p> <p>30. Fitting, oil line (H-D# 63533-15) 31-2018</p> <p>31. Shaft, circuit breaker drive gear -
1936-'69 BT (H-D# 25856-36) 31-2037</p> <p>32. Screw, SHC 1/4" -20 x 2" (Idler gear shaft) 50-0013</p> <p>33. Screw, SHC 1/4" -20 x 3 3/4" (Circuit breaker drive gear shaft.)
..... 50-0012</p> <p>34. Idler gear shaft - 1936-'69 BT
(H-D# 25791-36) 31-2039</p> <p>35. Washer, lock - 1/4" (H-D# 7035) 50-7019</p> <p>36. Screw, HHC 1/4" -20 x 1 1/2" 1936-'65
S&S BT timer (H-D# 3728) 50-0014
1/4" -20 x 1" 1966-'69
S&S BT timer (H-D# 2551W) 50-0018
10 pack 50-0270</p> <p>37. Screw, standard RH 1/4" -20 x 1/2"
(H-D# 2759) 50-0015</p> <p>38. Screw, SHS 1/4" -20 x 3/16" each 50-0024
2 pack 50-0024P</p> |
|--|---|---|

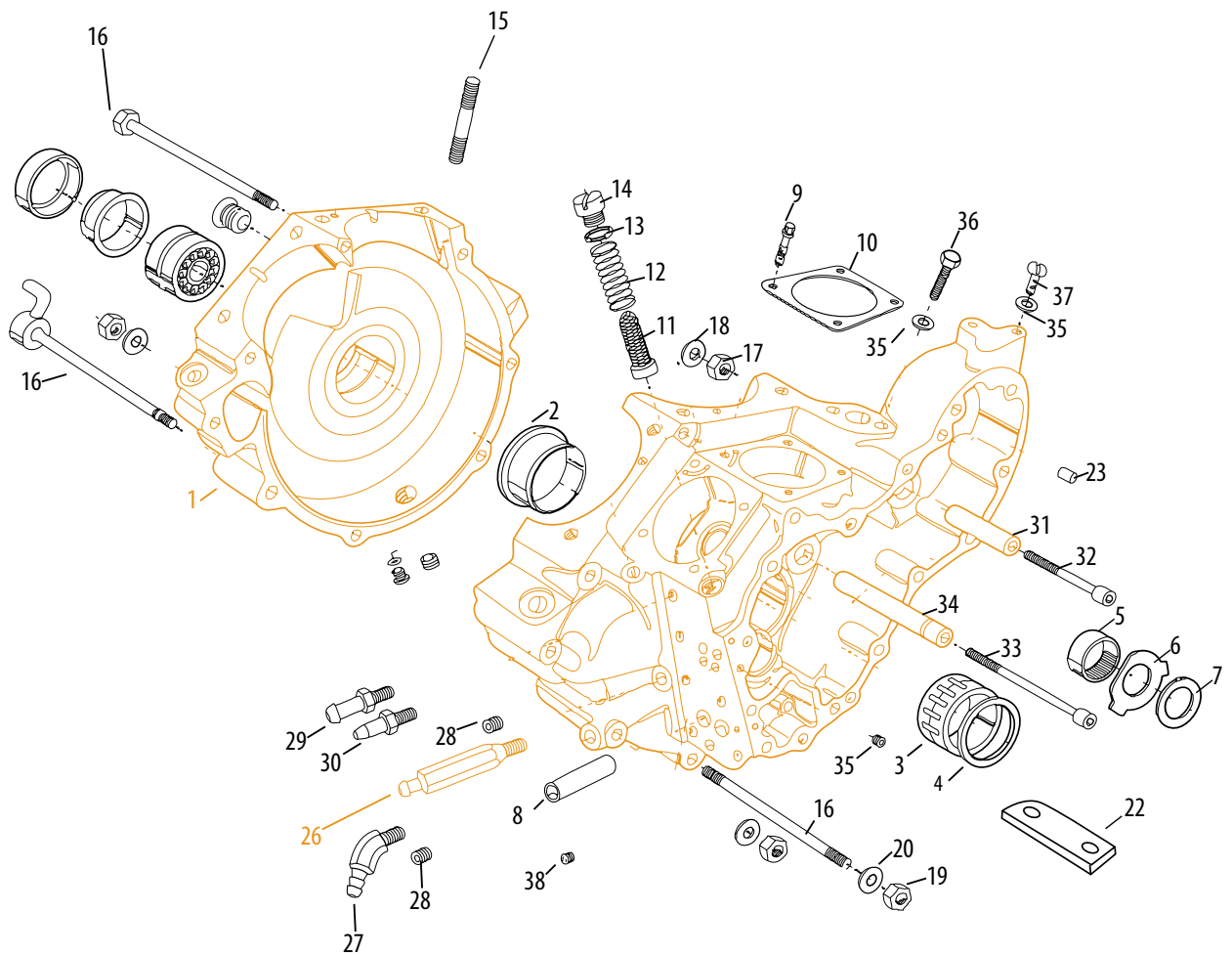
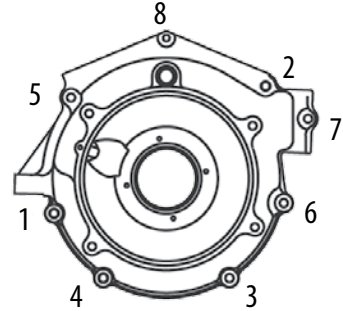
■ = Not direct replacement parts

■ = Direct replacement parts

Parts for Twin Cam 88°, 96°, 103™
 Parts for Evolution®
 Parts for Sportster®
 Parts for Shovelheads
 Parts for Panheads
 Parts for Knuckleheads
 Parts for Flatheads
 Index
 Cross Reference

Stock Replacement Parts from S&S®

BOLT POSITION DIAGRAM



Parts for
Twin Cam 88, 96, 103™

Parts for
Evolution®

Parts for
Sportster®

Parts for
Shovelheads

Parts for
Panheads

Parts for
Knuckleheads

Parts for
Flatheads

Index
Cross Reference

Harley-Davidson® Knucklehead Models

CYLINDER, HEAD & VALVE STOCK REPLACEMENT PARTS FOR HARLEY-DAVIDSON® KNUCKLEHEAD MODELS

- 1- Head, Kit, Flathead Power®, Stock 1936-'47 OHV bt
Fully Assembled, CTO **106-4929**
Partially assembled, CTO
(Not included: rocker arms & shafts, tins, rocker housings, and oil return lines) **106-2403**
- 2- Screw, Valve Spring Covers, Stock 1936-'47 OHV bt & KN-Series (H-D 3477)
each **106-3634**
- 3- Cover, Kit, Top, Valve Spring (Tins), Flathead Power, 1938 -'47 bt; KN-Series *
Chrome **106-2400**
Gloss Black **106-2893**
Silver **106-4346**
*Must be used with S&S bottom covers part #106-2401
- 4- Spring, Kit, Valve, Dual, .480" Lift, Steel, Stock 1936-'47 OHV bt **106-6398**
- 5- Valve Guide, Intake/Exhaust, Standard, Cast Iron (H-D 18181-36) **106-3637**
- 6- Cover, Kit, Bottom, Valve Spring (Tins), Black Anodize, 1938 -'47 bt * **106-2401***
a. Gasket, Bottom, Valve Spring Covers, (Tins)Foam coated aluminum **106-2878**
*Must be used with S&S top covers part #106-2400 and S&S spring kit part #106-6398
- 7- Washer, Lock, 7/16", Zinc **106-4357**
- 8- Screw, HHC, 3/8-16 x 1 1/2", Cadmium Plated **106-4598**
- 9- Gasket, Set, Head, KN-Series, Flathead Power®, 3 1/16", Copper (H-D 16770-36)..... **106-2689**
- 10- Housing, Rocker Arm, Flathead Power, Stock 1936-'47 OHV bt & KN-Series
Polished Set **106-1771**
Front **106-3830**
Rear **106-3834**
Natural Set **106-3951**
Front (H-D 17300-36)..... **106-3842**
Rear (H-D 17310-36/41) **106-3945**
- 11- Nut, Rocker Arm Shaft, Knuckle, w/ O-ring, Chrome, 1936-'47 OHV bt (H-D 17447-36)
each **106-4355**
4 pack **106-2889**
- 12- Rocker Arm, Set, Non-Roller, Flathead Power, 1:1 Ratio **106-2412**
Rocker Arm Set Includes:
a. Rocker Arm,FI,Non-Roller,Flathead Power® (includes shaft) **106-2862**
Rocker Arm,FE,Non-Roller,Flathead Power® (includes shaft) **106-2863**
Rocker Arm,RI,Non-Roller,Flathead Power® (includes shaft) **106-2864**
Rocker Arm,RE,Non-Roller,Flathead Power® (includes shaft)..... **106-2865**
b. Washer, Rocker Arm, Thrust, Stepped .015 **106-4352**
- 13- Seal, Oil, Rocker Arm (H-D 17475-38) **106-3636**
- 14- Washer, Rocker Arm, Packing, Stock 1936-'47 OHV bt (H-D 17482-36) **106-4358**
- 15- Cylinder, Kit, 3 1/16" Bore, 5.530", 3 1/2" Stroke, 106-5495, Hi-Temp Black,
8.0:1 Compression, 1936-'47 OHV bt **106-4519**
Cylinder Kit Includes:
16- Piston, Set, 3 1/16", (see chart)
17- Cylinder, Set, 3 1/16" Bore, 5.530", w/ Gaskets, Hi-Temp Black, 1936-'47 OHV bt
(H-D 16483-41 & 16492-41)..... **106-4512**
Cylinder Set Includes:
a. Cylinder, 3 1/16" Bore, 5.530", 1936-'47 OHV bt
Front (H-D 16483-41) **106-4513**
Rear (H-D 16492-41)..... **106-4514**
b. Gasket, Base, KN-Series, Flathead Power®, 3 1/16", CMP-4200 (H-D 16774-21)
each **106-2692**
2 pack **106-4919**
- 18- Washer, Head Bolt, Cadmium Plated, 1936-'64 OHV bt (H-D 6469)..... **106-5314**
- 19- Nut, Kit, Base, Cadmium Plated, Stock Bore 1930-'78 bt **106-4522**
Nut Kit Includes 8 each:
a. Nut, Cylinder Base, HH, 7/16-20 YBF-2B, Cadmium Plated (H-D 7839)..... **106-4524**
b. Washer, Lock, 7/16", Cadmium Plated (H-D 7055) **106-5313**

- 20- Stud, Cylinder Base, 7/16-14 UNC, 7/16-20 UNF x 2.0, Zinc, Steel (H-D 16831-30)
each **31-2328-S**
8 pack **31-2328**
- 21- Valve, Exhaust, 1.750", Stock 1936-'47 OHV bt (H-D 18081-36) **106-3629**
- 22- Fitting, Pipe, Straight, Oil Line Return, Rocker Housing, Parkerized **106-4619**
- 23- Pushrod Cover, Kit, Natural, Stock 1936-'47 OHV bt & KN-Series **106-3949**
Pushrod Cover Kit Includes:
a. O-ring, Square, .1875" (H-D 17955-36) **106-3849**
b. Pushrod Cover, Bottom, Chrome, Stock 1936-'47 OHV bt (H-D 17983-40) **106-3851**
c. Washer, Flat, .715" x .950" x .031", Steel (H-D 6762B) each **50-7131**
10 pack **50-7136**
d. Spring, Pushrod Cover Cap, .080" Wire, .730" x .890" x .925", Steel
(H-D 17947-36)..... **93-4018**
e. Cap, Pushrod Cover, 1936-up bt (H-D 17945-36)..... **93-4017**
f. Pushrod Cover, Top, Natural, Zinc Plated, Steel (H-D 17935-36) **106-3850**
- 24- Cover Keeper, Pushrod, 3.330", Chrome (H-D 17949-40) each **93-4035-S**
4 pack **93-4106**
- 25- Pushrod, Set, Non-Adjustable, Stock (61"), Aluminum, 1936-'47 bt
61" **930-0007**
74" **930-0008**
93" **930-0009**
- 26- Screw, Pushrod Adjustment, Black, Steel, 1936-'84 bt (H-D 18555-36) **33-5332**
- 27- Tappet, 1936-'47 OHV bt (H-D 18491-36)
Standard
Set **106-1819**
Intake **106-1815**
Exhaust **106-1817**
+.005"
Set **106-1820**
Intake **106-1816**
Exhaust **106-1818**
- 28- Tappet Guide, Flathead Power, Silver, 1936-'47 OHV bt
Set **106-2410**
Front (H-D 18600-36)..... **106-2665**
Rear (H-D 18610-36)..... **106-2666**
a. Screw, Slotted, Oval, Machined, 1/4-24 x 5/8" **106-3847**
b. Washer, Countersunk, External Tooth, 1/4" x 1/2" **106-3848**
- 29- Gasket, Tappet Guide, 1936-'47 OHV bt (H-D 18632-36)
each **106-2561**
2 pack **106-2563**

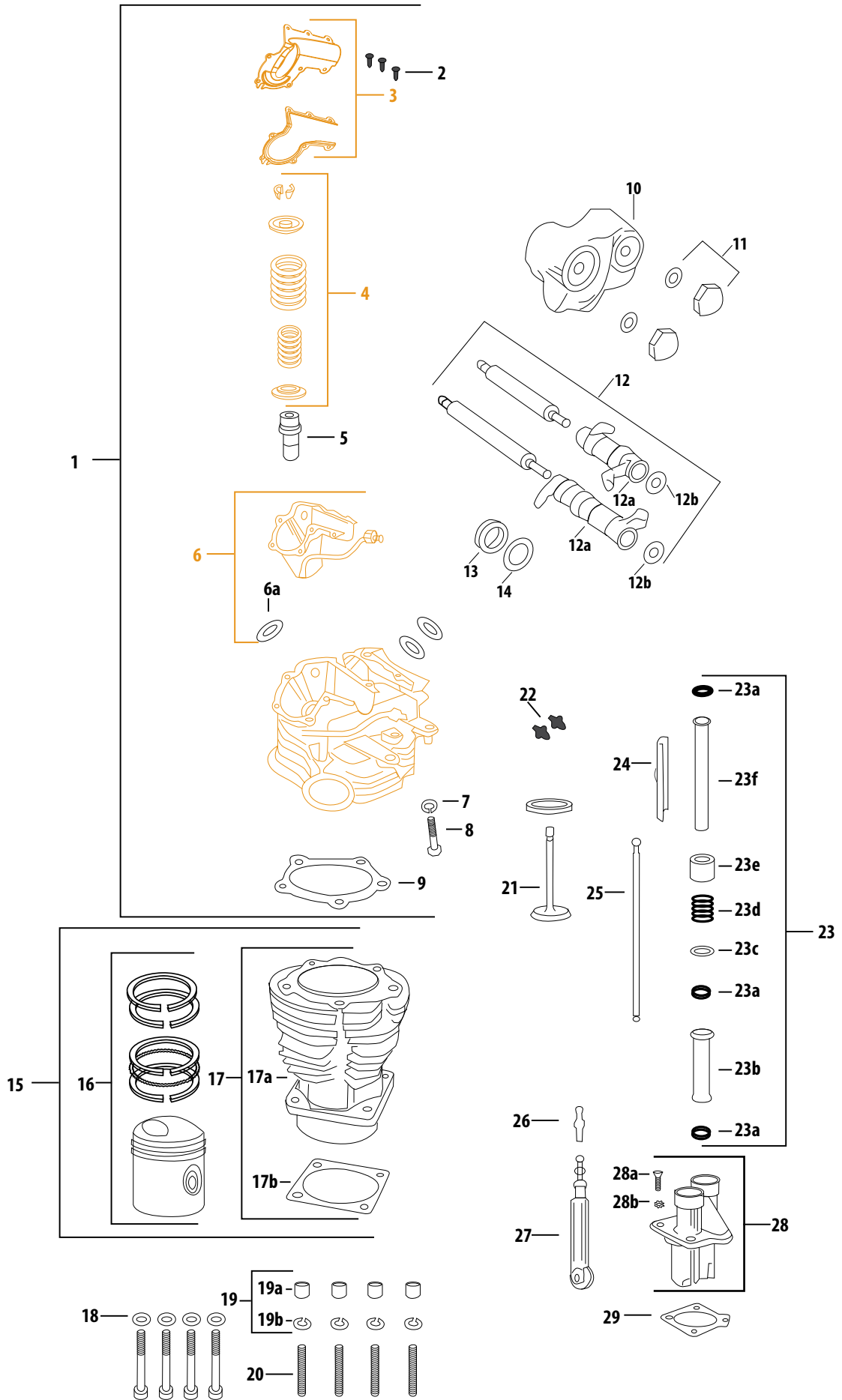
■ = Not direct replacement parts
■ = Direct replacement parts

S&S FORGED 74" PISTONS

Oversize	8:1 Compression	9:1 Compression	Replacement Rings
Standard (3/16")	106-5495	106-5503	94-2200X
+.010"	106-5496	106-5504	94-2201X
+.020"	106-5497	106-5505	94-2202X
+.030"	106-5498	106-5506	94-2203X
+.040"	106-5773	106-5775	94-2204X

Parts for Twin Cam 88°, 96°, 103™
Parts for Evolution®
Parts for Sportster®
Parts for Shovelheads
Parts for Panheads
Parts for Knuckleheads
Parts for Flatheads
Index Cross Reference

Stock Replacement Parts from S&S®



Parts for
Twin Cam 88, 96, 103™

Parts for
Evolution®

Parts for
Sportster®

Parts for
Shovelheads

Parts for
Panheads

Parts for
Knuckleheads

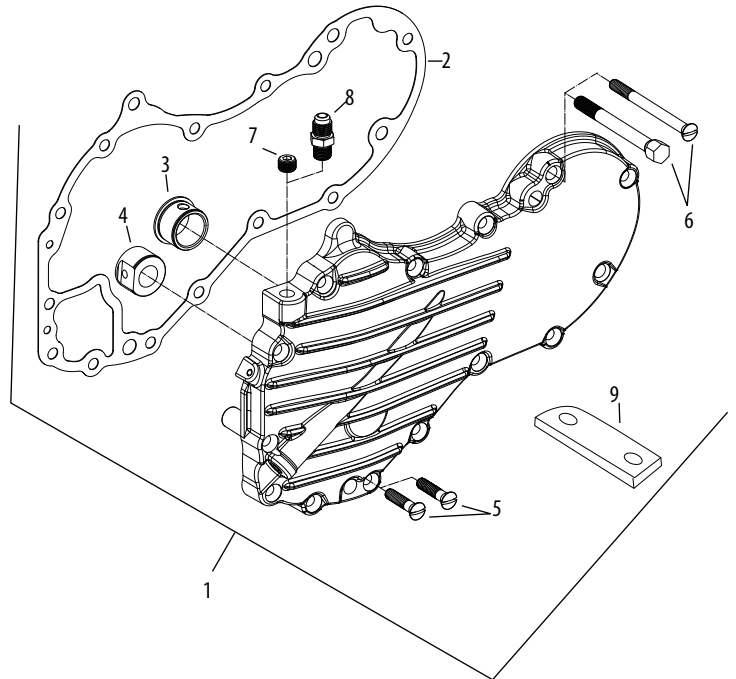
Parts for
Flatheads

Index
Cross Reference

Harley-Davidson® Knucklehead Models

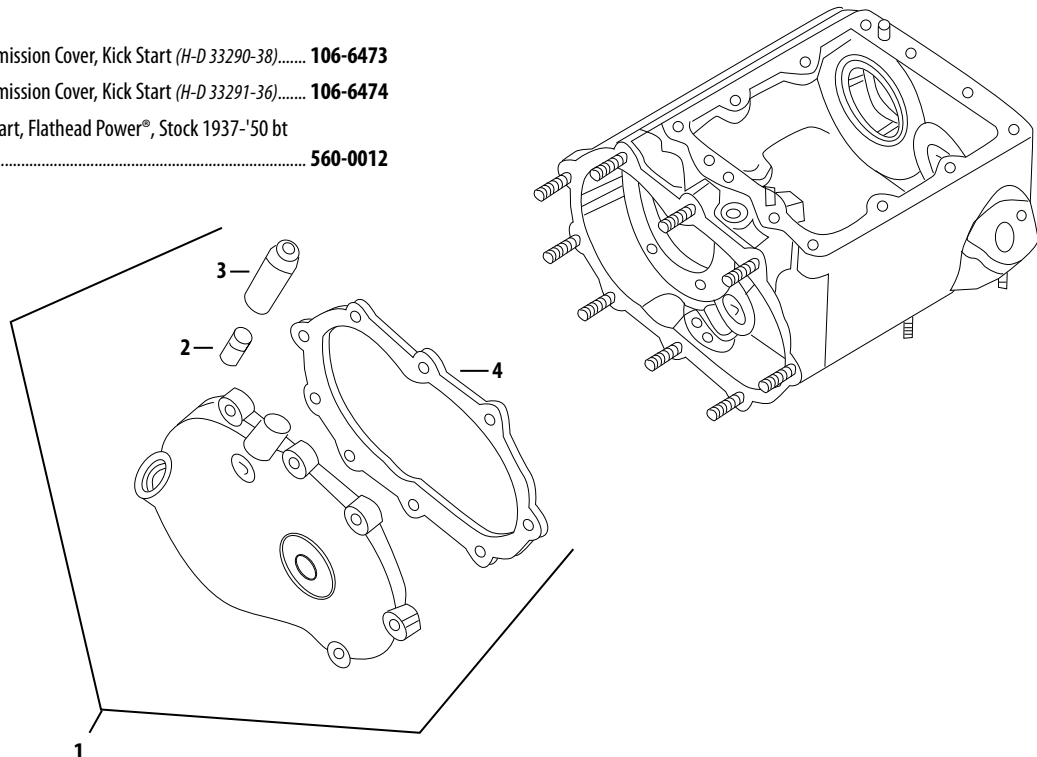
GEARCOVER STOCK REPLACEMENT PARTS FOR HARLEY-DAVIDSON® KNUCKLEHEAD MODELS

1. Gearcover, Kit, Generator, 8-Ribbed, Stock Pinion Shaft, Natural Late 1940-'48 bt (H-D# 25216-48) **106-3198**
2. Gasket, Gearcover (H-D# 25225-36)
Stock crankcases, 1936-'69 **31-2030**
3. Bushing, cam, 1936-'69 (H-D# 25581-36) **31-4025**
4. Bushing, pinion shaft, 1936-'53 (H-D# 25582-36) **31-4029**
5. Screw, gear cover mounting, Stock crankcases (H-D# 2341)
Slotted countersunk, oval, 1/4"-24 x 1 1/8", cadmium (each) **106-2013**
12 pack **106-2087**
6. Generator bolt
Stock crankcases
HH countersunk, 5/16"-24 x 3 1/4" cadmium **106-2107**
Slotted countersunk oval 1/4"-24 x 3" **106-3814**
7. Oil passage screw, slotted hollow, includes nylon washer, 1963-'65 BT
..... **106-2014**
8. Oil line fitting (H-D# 17330-42) **106-4734**
9. Spacer, Front, Motor Mount, 1948-'65 OHV bt (H-D# 24795-48) **31-2017**



TRANSMISSION STOCK REPLACEMENT PARTS FOR HARLEY-DAVIDSON® KNUCKLEHEAD MODELS

- 1-Cover, Kit, Transmission Kick Start, Flathead Power®, Stock
1940-'47 bt G6 Date Code (H-D 33277-36) **106-6479-G6**
1948-'50 bt, J7 Date Code (H-D 33277-36) **106-6479-J7**
- Cover Kit Includes #2-4:**
- 2- Bushing, Lower, Clutch Arm, Transmission Cover, Kick Start (H-D 33290-38) **106-6473**
 - 3- Bushing, Upper, Clutch Arm, Transmission Cover, Kick Start (H-D 33291-36) **106-6474**
 - 4- Gasket, Cover, Transmission Kick Start, Flathead Power®, Stock 1937-'50 bt
(H-D 33295-36) **560-0012**

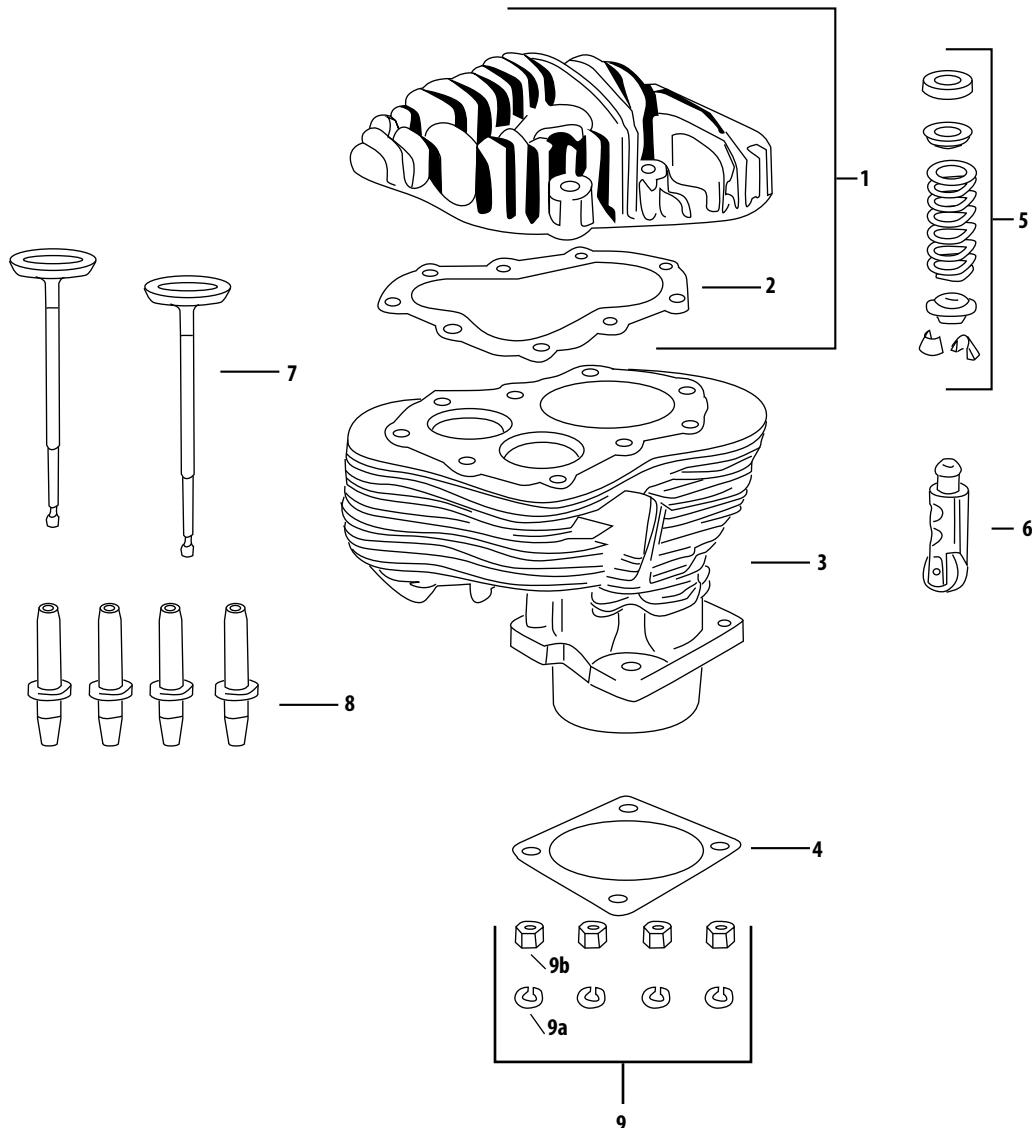


Parts for Twin Cam 88®, 96®, 103™
 Parts for Evolution®
 Parts for Sportster®
 Parts for Shovelheads
 Parts for Panheads
 Parts for Knuckleheads
 Parts for Flatheads
 Index
 Cross Reference

Harley-Davidson® Flathead Models

UL CYLINDER STOCK REPLACEMENT PARTS FOR HARLEY-DAVIDSON® FLATHEAD MODELS

1- Head, Set, Natural, Aluminum, 1937-'48 UL, FH-Series (H-D 16671-36)	106-2475*	6- Tappet, 1929-'73 SV bt	
*Configured to Order- Specify chamber volume for compression ratio		Standard (H-D 18490-29) each	106-5872
2- Gasket, Head, Copper, 1937-'48 UL (H-D 16769-36) each	106-2680	Set of Two	106-5875
Set	106-2669	+ .005, each	106-5876
3- UL Cylinder Set - 80", 3 7/16" Bore		Set of Two	106-5879
1937-'48 bt (with pistons)	910-0169	7- Valve, 74", S&S 80", FH-Series	
1937-'41 bt (without pistons)	910-0166	Intake (H-D 18072-37)	900-0210
Cylinder Set includes #4 & #5b		Exhaust (H-D 18082-37)	900-0211
4- Gasket, Base, KN-Series, Flathead Power®, 3-5/16", CMP-4200 (H-D 16774-21)	106-2692	8- Valve Guide, Honed, 74", S&S 80", Cast Iron, 1930-'40 bt (H-D 18170-30)	900-0209
5- Spring, Kit, Valve, Single Valves,		9- Nut, Kit, Base, Cadmium Plated, Stock Bore 1930-'78 bt	106-4522
1941-'51 WR, 1952-'53 KR (H-D RLDR, WLDR, & WR 80168-32)	90-2345	Nut Kit Includes 8 each:	
74", S&S 80", 1937-'41 UL svbt	900-0208	a. Nut, Cylinder Base, HH, 7/16"-20 YBF-2B, Cadmium Plated (H-D 7839)	106-4524
		b. Washer, Lock, 7/16", Cadmium Plated (H-D 7055)	106-5313

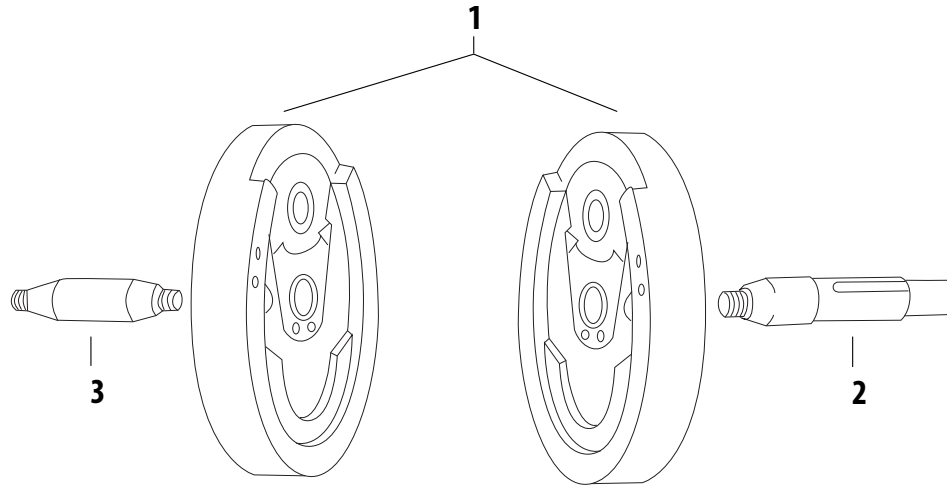


Parts for
Twin Cam 88, 96, 103™
Evolution®
Parts for
Sportster®
Parts for
Snowmobiles
Parts for
Panheads
Parts for
Knuckleheads
Parts for
Flatheads
Index
Cross Reference

Harley-Davidson® Flathead Models

FLYWHEEL STOCK REPLACEMENT PARTS FOR HARLEY-DAVIDSON® FLATHEAD MODELS

- 1- Flywheel, Set, 3¹³/₁₆" Stroke, 7⁷/₈" Diameter, WR/KR (H-D 23925-37).....**32-3013**
- 2- Pinion Shaft, Assembly, Tapered, Standard, 1937-'43 bt (H-D 24005-37)**33-2356**
- 3- Sprocket Shaft, Assembly, 1936-'54 bt (H-D 24001-30)**33-2001**



Parts for
Twin Cam 88®, 96®, 103™

Parts for
Evolution®

Parts for
Sportster®

Parts for
Shovelheads

Parts for
Panheads

Parts for
Knuckleheads

Parts for
Flatheads

Index
Cross Reference

OEM to S&S Cross Reference Chart

H-D® Part Number	S&S® Part Number	Description	Page No.	MSRP
10998	50-8448-S	Retaining Ring, Internal, HO-212	12	\$3.15
11002	50-8059	Retaining Ring, Oil Pump Drive Gear, Carbon Steel, SAE 1060-1090	14, 25, 28, 32	\$1.00
	50-8107	Retaining Ring, External, Tru-arc, .366" x .025", 10 Pack	14, 25, 28, 32	\$4.40
11105	50-8008	O-ring, (-013), .437" ID x .565" OD,	11, 14, 25, 27, 34	\$1.00
	50-8078	O-ring, Oil Return, (-013), .437" ID x .565" OD, 10 Pack	11, 14, 25, 27, 34	\$7.50
11110	50-8006	O-ring, (-012), .375" ID x .500" OD,	27, 34	\$1.00
	50-8077	O-ring, (-012), .375" ID x .500" OD, 10 Pack	17	\$6.05
11124	31-4051	Seal, Gearcover Cam, 1.125" x 1.561" x .250", 1971-up xl	20	\$7.90
11132A	50-8038	O-ring, (-115), .687" ID x .875" OD, Black, Nitrile	4	\$1.00
	93-4111	O-ring, Middle, Pushrod Cover, (-115), .687" ID x .875" OD, Black, Nitrile, 10 Pack	4	\$3.75
11133A	50-8064-S	O-ring, Quad Seal, (-119), .937" ID x 1.125" OD,	24	\$0.85
11140	50-8130	O-ring, (-014), .500" ID x .625" OD, Nitrile, 10 Pack	5	\$4.25
	50-8032	O-ring, (-014), .500" ID x .625" OD, Nitrile	5	\$1.00
11145A	50-8037	O-ring, (-118), .875" ID x 1.062" OD,	4	\$1.00
	93-4112	O-ring, Bottom, Pushrod Cover, (-118), .875" ID x 1.062" OD, 10 Pack	4	\$6.45
11157	50-8200	O-ring, (-209), .687" ID x .937" OD, 5 Pack	9, 24	\$4.25
	50-8039	O-ring, (-209), .687" ID x .937" OD,	9, 24	\$1.60
	93-4110	O-ring, Top, Pushrod Cover, (-209), .687" ID x .937" OD, 10 Pack	9, 24	\$14.50
11161	50-8051	Retaining Ring, Internal, 3.734" x .109", Carbon Steel, SAE 1060-1090	6, 12, 19	\$6.65
11165	50-8045	O-ring, Quad Seal, (-031), 1.734" x 1.875", Black, Nitrile	12	\$2.20
11168A	106-0682	O-ring, (-022), 10 Pack	17	\$11.05
	50-8005	O-ring, (-022), 1" ID x .125" OD, Black,	17	\$1.20
11177A	50-1004	Retaining Ring, External, Pinion Bearing, 1.160" x 1.480" x .046", 5 Pack	11, 18, 19, 27, 34	\$5.35
	50-8057	Retaining Ring, External, Pinion Bearing, 1.160" x 1.480" x .046", Carbon Steel, SAE 1060-1090	11, 18, 19, 27, 34	\$1.20
11190	50-8039	O-ring, (-209), .687" ID x .937" OD,	17, 24	\$1.60
	93-4110	O-ring, Top, Pushrod Cover, (-209), .687" ID x .937" OD, 10 Pack	17, 24	\$14.50
11218	50-1009	Key, Woodruff, .125" x .375" x .374", Steel, 5 Pack	10	\$6.65
	50-8222-S	Key, Woodruff, .125" x .375" x .374"	10	\$1.45
11256	50-8048	O-ring, (-155), 3.987" ID x 4.193" OD,	3	\$4.05
11270	50-8033	O-ring, (-114), .625" ID x .812" OD, Black,	4	\$1.40
11273	50-8130	O-ring, (-014), .500" ID x .625" OD, Nitrile, 10 Pack	5	\$4.25
	50-8032	O-ring, (-014), .500" ID x .625" OD, Nitrile	5	\$1.00
11275	50-8008	O-ring, (-013), .437" ID x .565" OD,	3	\$1.00
	50-8078	O-ring, Oil Return, (-013), .437" ID x .565" OD, 10 Pack	3	\$7.50
11293	50-8200	O-ring, (-209), .687" ID x .937" OD, 5 Pack	4, 6	\$4.25
	50-8039	O-ring, (-209), .687" ID x .937" OD,	4, 6	\$1.60
	93-4110	O-ring, Top, Pushrod Cover, (-209), .687" ID x .937" OD, 10 Pack	4, 6	\$14.50
11301	50-8066	O-ring, (-110), .375" ID x .562" OD, 10 Pack	6	\$8.60
	50-8066-S	O-ring, (-110), .375" ID x .562" OD,	6	\$1.00
11317	50-8099	Pin, Dowel, .093" x .500"	20	\$0.45
11461	50-8061	Retaining Ring, External, Tru-arc, .722" x .042", Steel, SAE 1060-1090	6	\$0.45
1167A	50-8153	O-ring, Kit, Tappet Guide, 1986-2003 xl	17	\$13.80
11733	50-8084	Stud, 3/8-24 UNF, 7/16-14 ONF x 1.30, Zinc	12	\$3.85
117541-48	900-0329	Gasket, Rckr Cvr, Rbr, 1948-65 OHV bt	31	\$15.95
	900-0339	Gasket, Set, Rckr Cvr, Rbr, 1948-65 OHV bt	31	\$27.95
12026B	31-4010	Seal, Left, Main Bearing, 1.750" x 2.507" x .3130", 1970-up bt	11, 27	\$4.00
12067A	56-3033	Seal, Transmission Output Shaft, 2.255" x 3.388" x .250, 1994-99 bt, 1995-03 xl	6, 12	\$10.50
12068	31-4035	Seal, Left, Main Bearing, 1999-up bt	5	\$14.40
1305	50-0072	Screw, PH, 1/4-20 x 1", Nickel, Stainless Steel	28	\$1.00
	50-0094	Screw, PH, 1/4-20 x 1", 10 Pack	28	\$6.65
1430	50-0012	Screw, SHCS, 1/4-20 x 3-1/4", Zinc, ASTM A574-92A	28, 32	\$1.55
1601	106-3456	Screw, FHCS, 8-32 x 1/2", Stainless Steel, 10 Pack	13, 28	\$4.00
	50-0353-S	Screw, FHCS, 8-32 x 1/2", Stainless Steel	13, 28	\$1.00
16240-82	31-2048	Nut, Motor Mount, Press-In, HH, 3/8-24 2B x .785", Steel, xl	19	\$10.50
16302-81	50-8113	Fitting, Pipe, 45i, 1/4-18 NPTF x .375"	34	\$4.40
16483-41	106-4513	Cylinder, Front, 3-7/16" Bore, 5.530", 1936-47 OHV bt	36	\$455.95
	106-4512	Cylinder, Set, 3-7/16" Bore, 5.530", w/ Gaskets, Hi-Temp Black, 1936-47 OHV bt	36	\$910.95

H-D® Part Number	S&S® Part Number	Description	Page No.	MSRP
16492-41	106-4514	Cylinder, Rear, 3-7/16" Bore, 5.530", 1936-47 OHV bt	36	\$455.95
	106-4512	Cylinder, Set, 3-7/16" Bore, 5.530", w/ Gaskets, Hi-Temp Black, 1936-47 OHV bt	36	\$910.95
16510-83A	910-0179	Cylinder, Kit, 3-1/2" Bore, 5.550", 4-1/4" S	8	\$649.95
16512-86A	910-0182	Cylinder, Kit, 3-1/2" Bore, 5.550", 4-1/4" S	8	\$739.95
16573-83	50-8023	Pin, Dowel, .557" x .500", Black, Steel	8, 16, 19, 20	\$1.60
	50-8109	Pin, Dowel, .557" x .500", Black, Steel, 10 Pack	8, 16, 19, 20	\$14.50
16589-99A	50-8148-S	Pin, Dowel, .275" x .397", Steel	5	\$2.75
	50-8177	Pin, Dowel, .437" x .610", Steel	3, 5	\$2.15
16595-99A	50-8177-4	Pin, Dowel, 1999-up bt, 4 Pack	3, 5	\$7.85
	50-8179	Pin, Dowel, .437" x .610", Steel, 10 Pack	3, 5	\$20.95
16602-30	93-3063	Nut, Cylinder Base, HH, 7/16-20 UNF-2B x .910", Polished, Stainless Steel, 1936-84 bt, 8 Pack	22	\$61.95
	93-3063-S	Nut, Cylinder Base, HH, 7/16-20 UNF-2B x .910", Polished, Stainless Steel, 416	22	\$8.50
16664-86B	93-1051	Gasket, Head, .0625", 3-1/2", 1984-99 bt, 1986-2003 xl, 10 Pack	16	\$77.95
	93-1313-S	Gasket, Head, .0625", 3-1/2", Graphite, 304 SS, 1984-99 bt, 1986-2003 xl	16	\$8.55
16671-36	106-2475	Head, Set, Natural, Aluminum, 1937-48 UL, FH-Series	39	\$623.95
16690-92B	106-3466	Head, Kit, Stock & 3-5/8" Bore, Performance Replacement, .585" SDW Steel, 82cc, Natural, 1984-99 bt	8	\$982.95
16691-92B		Head, Kit, Stock & 3-5/8" Bore, Performance Replacement, .585" SDW Steel, 82cc, Wrinkle Black, 1984-99 bt	8	\$1,039.95
16692-95	106-4570	Head, Kit, Stock & 3-5/8" Bore, Performance Replacement, .585" SDW Steel, 82cc, Wrinkle Black, 1984-99 bt	8	\$1,039.95
16696-92A		Head, Kit, Stock & 3-5/8" Bore, Performance Replacement, .585" SDW Steel, 82cc, Wrinkle Black, 1984-99 bt	8	\$1,039.95
16715-83	50-0493	Stud, Exhaust Port, 5/16-18, 5/16-24 x 1.910", Zinc, Steel	3, 16	\$2.60
16719-99B	90-4071	Gasket, Bottom, Rocker Cover, Graphite, 4-1/8" 1984-99 bt, 1999-up bt, 2 Pack	4	\$9.00
	90-4071-S	Gasket, Bottom, Rocker Cover, 4-1/8" 1984-99 bt, 1999-up bt	4	\$7.25
16719-99B	90-4071-S	Gasket, Rocker Cover, 1999-up	4	\$7.25
	90-4071	Gasket, Rocker Cover, 1999-up, 2 PACK	4	\$9.00
16719-99B	90-4099	Gasket, Rocker Cover, 1999-up, 10 PACK	4	\$65.95
	90-4097	Gasket, Kit, Rocker Cover, 1999-up bt	4	\$45.95
16769-36	106-2669	Gasket, Set, Head, FH-Series, Flathead Power®, Copper, 1937-48 UL	39	\$36.95
	106-2680	Gasket, Head, FH-Series, Flathead Power®, Copper, 1937-48 UL	39	\$31.95
16770-36	106-2689	Gasket, Set, Head, KN-Seriesies, Flathead Power®, 3-7/16", Copper	36	\$34.95
16770-66B	93-1041	Gasket, Head, .032", Stock, Copper, 1966-84 bt	22	\$10.00
	93-1061	Gasket, Head, .032", Stock, Copper, 1966-84 bt, 10 Pack	22	\$90.95
16770-84D	93-1011-S	Gasket, Head, .045", 3-1/2", Graphite, 304 SS, 1984-99 bt, 1986-2003 xl	8, 16	\$7.15
	93-1024	Gasket, Head, .045", 3-1/2", 1984-99 bt, 1986-2003 xl, 10 Pack	8, 16	\$64.95
16774-21	106-2692	Gasket, Base, KN-Seriesies, Flathead Power®, 3-5/16", CMP-4200	36, 39	\$8.25
	106-4919	Gasket, Base, KN-Seriesies, Flathead Power®, 3-5/16", 3-7/16", 2 Pack	36, 39	\$15.00
16774-86D	93-1038-S	Gasket, Base, .018", 3-1/2", Graphite, 1986-2003 xl	8, 16	\$3.35
16776-63	93-1023-S	Gasket, Base, .020", Stock, 1966-84 bt (Logo Side Faces Cylinder)	22	\$4.15
	93-1070	Gasket, Base, .020", Stock, Graphite, 1966-84 bt, 10 Pack (Logo Side Facing Cylinder)	22	\$37.95
16777-83A	93-1063	Gasket, Base, .018", 3-1/2", 1984-99 bt, 10 Pack	8	\$36.95
	93-1035-S	Gasket, Base, .018", 3-1/2", Graphite, 1984-99 bt	8	\$4.05
16778-84A	90-4058	Gasket, Bottom Right, Rocker Cover, 1984-99 bt, 1986-2003 xl	9	\$3.50
	90-4062	Gasket, Bottom Right, Rocker Cover, .018", Graphite, 1984-99 bt, 1986-2003 xl, 10 Pack	9	\$31.95
16779-84B	90-4063	Gasket, Bottom Left, Rocker Cover, .018", Graphite, 1984-99 bt, 1986-2003 xl, 10 Pack	9	\$48.95
16779-84B/D	90-4059	Gasket, Bottom Left, Rocker Cover, 1984-99 bt, 1986-03 xl	9	\$5.40
16814-77	93-3024	Head Bolt, w/ Washer, 12 pt, 7/16-20 X 2-3/8" x 1" TD, 10 Pack	22	\$79.95
16831-30	31-2328	Stud, Cylinder Base, 7/16-14 UNC, 7/16-20 UNF x 2.0, Zinc, Steel, 1936-84 bt, 8 Pack	22, 36	\$31.95
	31-2328-S	Stud, Cylinder Base, 7/16-14 UNC, 7/16-20 UNF x 2.0, Zinc, Steel	22, 36	\$4.40

OEM to S&S Cross Reference Chart

OEM to S&S Cross Reference Chart

OEM to S&S Cross Reference Chart

H-D® Part Number	S&S® Part Number	Description	Page No.	MSRP
16832-86C	31-2331	Stud, Cylinder Base, 3/8-16 UNC x 5.760", 1986-2003 xl, 8 Pack	16	\$37.95
	31-2331-S	Stud, Cylinder Base, 3/8-16 UNC x 5.760"	16	\$5.20
	31-2325-S	Stud, Cylinder Base, 3/8-16 UNC x 6.070", Black, Steel	3	\$5.50
16834-99A	31-2340	Stud, Cylinder Base, 3/8-16 UNC x 6.070", Black, Steel, 1999-up bt, 8 Pack	3	\$39.95
		Stud, Cylinder Base, 7/16-14 UNC, 7/16-20 UNF x 2.0, Zinc, Steel, 1936-'84 bt, 8 Pack	27	\$31.95
16837-30	31-2328	Stud, Cylinder Base, 7/16-14 UNC, 7/16-20 UNF x 2.0, Zinc, Steel, 1936-'84 bt, 8 Pack	27	\$4.40
	31-2328-S	Stud, Cylinder Base, 7/16-14 UNC, 7/16-20 UNF x 2.0, Zinc, Steel	27	\$107.95
16837-78	31-2324	Stud, Cylinder Base, 7/16-14 ONF, 7/16-20 UNF x 2.3, Black, Steel, 1936-'84 bt, 8 Pack	22	\$22.95
	31-2324-S	Stud, Cylinder Base, 7/16-14 ONF, 7/16-20 UNF x 2.3, Black, Steel	22	\$31.95
16837-85C	31-2321	Stud, Cylinder Base, 3/8-16 UNC x 6.680", 1984-'99 bt, 8 Pack	8, 11, 34	\$4.40
	31-2321-S	Stud, Cylinder Base, 6.68", Black Oxide, 1984-'99 bt	8, 11, 34	\$42.95
16852-67A	93-4057	Mount, Top, Engine, 2-Piece, Natural, Steel, 1948-'84 bt	22	\$42.95
16853-48	93-4057	Mount, Top, Engine, 2-Piece, Natural, Steel, 1948-'84 bt	22	\$187.95
17300-36	106-3842	Housing, Front, Rocker Arm, Flathead Power®, Natural, Stock 1936-'47 OHV bt & KN-Series	36	\$187.95
17310-36/41	106-3945	Housing, Rear, Rocker Arm, Flathead Power®, Natural, Stock 1936-'47 OHV bt & KN-Series	36	\$9.65
17330-42	106-4734	Oil Line Fitting	38	\$5.25
17354-89	90-4020	Gasket, Top, Rocker Cover, Cork, 1991-2003 xl	17	\$1.65
17358-84A	90-4018	Gasket, Middle Inner, Rocker Cover, Cork, 1984-'99 bt, 1986-2003 xl	9, 17	\$1.00
	90-4042	Gasket, Middle Inner, Rocker Cover, Rubber, 1984-'99 bt, 1986-2003 xl	9, 17	\$149.95
17360-66A	900-4320RA	Rocker Arm, Assembly, FE/RE, Roller, 1.5:1 Ratio, 8620, 1966-'84 bt	24	\$59.95
17360-83A	900-4119RA	Rocker Arm, Assembly, RE/FL, Non-Roller, 1.625:1 Ratio, 8620, 1984-up bt, 1986-2003 xl	4, 9, 17	\$149.95
17375-66A	900-4320FA	Rocker Arm, Assembly, FE/RI, Roller, 1.5:1 Ratio, 8620, 1966-'84 bt	24	\$59.95
17375-83A	900-4119FA	Rocker Arm, Assembly, FE/RI, Non-Roller, 1.625:1 Ratio, 8620, 1984-up bt, 1986-2003 xl	4, 9, 17	\$45.95
17386-99A	90-4097	Gasket, Kit, Rocker Cover, 1999-up bt	4	\$9.95
17386-99A	90-4096-S	Gasket, Rocker Cover, Steel, 1999-up bt	4	\$51.95
17447-36	106-2889	Nut, Rocker Arm Shaft, Knuckle, w/ O-ring, Chrome, Stock 1936-'47 OHV bt & KN-Series, 4 Pack	36	\$14.30
	106-4355	Nut, Rocker Arm Shaft, Knuckle, w/ O-ring, Chrome, 1936-'47 OHV bt	36	\$4.85
17475-38	106-3636	Seal, Oil, Rocker Arm	36	\$3.75
17482-36	106-4358	Washer, Rocker Arm, Packing, Stock 1936-'47 OHV bt & KN-Series	36	\$76.95
17500-48A	106-0919	Cover, Set, Rocker Arm, Chrome, Steel, 1948-'65 bt	31	\$53.95
17507-51	106-0920	Ring, Set, Rocker Cover, D Style, 1948-'65 bt	31	\$7.15
17540-69	90-4040	Gasket, Rocker Cover, 1966-'84 bt	24	\$64.95
	90-4064	Gasket, Rocker Cover, Graphite, 1966-'84 bt, 10 Pack	24	\$17.00
17591-99	90-4077	Gasket, Breather Cover, Stock Pattern, Paper, 1999-'10 bt	4	\$10.50
17592-99	90-4078	Gasket, Breather Baffle, Stock Pattern, Paper, 1999-'10 bt	4	\$34.95
17611-83	90-4006	Shaft, Rocker Arm, 1984-'99 bt	4, 9, 17	\$109.95
	90-4036	Shaft, Set, Rocker Arm, Stock Replacement, 1984-up bt, 1986-up xl	4, 9, 17	\$10.35
17904-66	93-5070	Pushrod, Set, Adjustable, Hydraulic Tappet, Stock, Steel, 1966-'84 bt	24	\$11.65
17935-36	106-3850	Pushrod Cover, Top, Natural, Zinc Plated, Steel, Stock 1936-'47 OHV bt & KN-Series	36	\$12.15
17935-79B	93-4016	Pushrod Cover, Top, Natural, Aluminum, 1966-up bt, 1986-'90 xl	9, 24	\$7.70
17938-83	93-4015	Pushrod Cover, Bottom, Chrome Plated, Steel, 1984-up bt, 1986-'90 xl	9	\$1.05
17945-36B	93-4017	Cap, Pushrod Cover, 1936-up bt, 1957-'90 xl	4, 9, 24	\$4.40
17947-36	93-4018	Spring, Pushrod Cover Cap, .080"Wire, .730"x .890" x .925", Steel, 1936-up bt, 1957-'90 xl	4, 9, 24, 36	\$27.95
	93-4035-S	Cover Keeper, Pushrod, 3.330", Chrome	36	\$4.40
17949-40	93-4106	Cover Keeper, Set, Pushrod, 3.330", Chrome	36	\$4.40
	93-4035-S	Cover Keeper, Pushrod, 3.330", Chrome	9, 24	\$27.95
17950-66	93-4106	Cover Keeper, Set, Pushrod, 3.330", Chrome	9, 24	\$17.35
17955-36	106-3849	O-ring, Square, .1875"	36	\$15.45
17983-40	106-3851	Pushrod Cover, Bottom, Chrome, Stock 1936-'47 OHV bt & KN-Series	36	\$1.95
18000-81	90-2019	Seal, Valve Guide, L1981-'84 bt	22	\$14.00
	90-2157	Seal, Valve Guide, L1981-'84 bt, 8 Pack	22	

H-D® Part Number	S&S® Part Number	Description	Page No.	MSRP
18001-83B	90-2008	Seal, Valve Guide, 1984-up bt, 1986-2003 xl	3, 8, 16	\$2.20
	90-2158	Seal, Valve Guide, 1984-up bt, 1986-2003 xl, 8 Pack	3, 8, 16	\$21.95
18010-79	90-2018	Seat, Exhaust, 1.750", 1948-'84 bt	22	\$27.95
18020-79	90-2017	Seat, Intake, 1.950", 1966-'84 bt	22	\$21.95
18055-66B	90-2018	Seat, Exhaust, 1.750", 1948-'84 bt	22	\$23.95
18072-37	900-0210	Valve, Forging, Intake, 74"S&S 80", FH-Series	22	\$61.95
18075-80/81	90-2015	Valve, Intake, Stock Heads, 1.950"x 3.885" @ 1.879" Gauge, 1966-'84 bt	22	\$32.95
18078-80/81		Valve, Exhaust, Flathead Power®, 1.750", Stock 1936-'47 OHV bt & KN-Series	36	\$23.95
18081-36	106-3629	Valve, Forging, Exhaust, 74"S&S 80", FH-Series	39	\$61.95
18082-37	900-0211	Valve, Exhaust, 1.720"x 3.724" @ 1.680" Gauge, 1948-'84 bt	22	\$18.25
18086-80/81	90-2022	Valve Guide, Intake/Exhaust, +.004", Cast Iron, 1980-'84 bt	22	\$18.25
18089-80/81		Valve Guide, Intake/Exhaust, +.003", Cast Iron, 1980-'84 bt	22	\$18.25
18106-81A	90-2244	Valve Guide, Intake/Exhaust, +.002", Cast Iron, 1980-'84 bt	22	\$18.25
18107-81A	90-2243	Valve Guide, Intake/Exhaust, +.001", Cast Iron, 1980-'84 bt	22	\$18.25
18108-81A	90-2242	Valve Guide, Intake/Exhaust, +.001", Cast Iron, 1980-'84 bt	22	\$9.35
18109-81A	90-2241	Valve Guide, Intake/Exhaust, Standard, Cast Iron, 1984-up bt, 1986-2003 xl	3, 8	\$18.80
18112-92	90-2210	Valve Guide, Intake/Exhaust, +.001", Cast Iron, 1984-up bt, 1986-2003 xl	3, 8	\$18.80
18130-83C	90-2211	Valve Guide, Intake/Exhaust, +.003", Cast Iron, 1984-up bt, 1986-2003 xl	3, 8	\$18.80
18131-83C	90-2213	Valve Guide, Intake/Exhaust, +.002", Cast Iron, 1984-up bt, 1986-2003 xl	3, 8	\$21.95
18133-83A	90-2212	Valve Guide, Intake/Exhaust, Standard, Cast Iron	36	\$171.95
18170-30	900-0209	Spring, Kit, Valve, Triple, Steel, .590", 1948-E'81 bt	31	\$171.95
18181-36	106-3637	Spring, Kit, Valve, Triple, Steel, .590", 1948-E'81 bt	31	\$14.00
18201-57B	90-2060	Collar, Bottom, Valve Spring, .550", Steel, 1981-'84 bt	22	\$14.95
18204-36A	90-2060	Valve Keeper, 1936-'84 bt, 8 Pack	22	\$2.05
18222-81	90-2038	Valve Keeper, 1936-'84 bt	22	\$67.95
18228-36	50-7165	Tappet, Set, Standard, 1936-'47 OHV bt	36	\$269.95
18490-29	106-5872	HYD. ROLL LIFTER H-D EVO P/1	9	\$56.95
18491-36	106-1819	Tappet, Set, Hydraulic, 1984-'99 bt, 1986-'90 xl	9	\$3.30
18523-86A	3-2050	Pin, Dowel, 1999-up bt, 2 Pack	4	\$1.80
	33-5352	Pin, Dowel, .250"x .750", Alloy	4	\$259.95
18535-99	50-8195	Tappet, Set, Hydraulic, 1999-up bt	4, 17	\$6.65
18538-99A/B	33-5350	Screw, Pushrod Adjustment, Black, Steel, 1936-'84 bt	36	\$239.95
18555-36	33-5332	Tappet Guide, Front, Flathead Power®, Silver, Cast Iron, 1936-'47 OHV bt	36	\$7.05
18600-36	106-2665	Tappet Guide, Rear, Flathead Power®, Silver, Cast Iron, 1936-'47 OHV bt	36	\$2.60
18610-36	106-2561	Gasket, Set, Tappet Guide, 1936-'47 OHV bt	9, 34	\$4.85
	106-2563	Gasket, Rear, Tappet Guide, 1948-'99 bt	9, 34	\$11.65
18632-36	33-5302	Gasket, Front, Tappet Guide, 1948-'99 bt	9, 34	\$17.65
18633-48	33-5302R	Gasket, Front, Tappet Guide, 1948-'69 bt, 10 Pack	9, 34	\$3.00
18633-48D	33-5313R	Gasket, Set, Tappet Guide, 1999-up bt	4	\$1.25
18633-48D	33-5302F	Gasket, Tappet Cover, 1999-up bt, 10 Pack	4	\$11.30
18634-48C	33-5313F	Gear, Pinion, White, 1991-'99 xl	18	\$17.05
	33-5303-2	Pin, Dowel, .312"x .500", Alloy	19	\$31.95
18635-99B	33-5303-5	Ring, Set, Piston, 3-1/2", Standard, Moly Faced, .0625, .0625, 1984-'99 bt, 1986-2003 xl	8	\$31.95
24058-91	33-5615	Ring, Set, Piston, 3-1/2", +.010", Moly Faced, .0625, .0625, 1984-'99 bt, 1986-2003 xl	8	\$31.95
215	33-4164	Ring, Set, Piston, 3-1/2", +.020", Moly Faced, .0625, .0625, 1984-'99 bt, 1986-2003 xl	8	\$109.95
21920-83	50-8019	Piston, Set, 3-1/2", +.010, 80", FD, .792"WP, 19	8	\$109.95
21920-83	94-2216X	Piston, Set, 3-1/2", +.020, 80", FD, .792"WP	8	\$109.95
21922-83	94-2217X	Jet, Assembly, Piston Cooling, 1999-up bt	5	\$26.95
21923-83	94-2218X	Jet, Kit, Piston Cooling, 4-1/8" 1984-'99 bt, 1999-up bt, 2 Pack	5	\$48.95
21940-83	920-0015	Bushing, Cam, Bronze, 1973-'92 bt	13	\$9.95
21942-83	920-0026	Wristpin Keeper, C-Clip, .791"/.792", 4 Pack	8	\$3.30
21943-83	920-0027	Wristpin Keeper, C-Clip, .791"/.792", 2 Pack	8	\$0.60
22307-99	31-2025B	Wristpin Keeper, C-Clip, .791"/.792"	8	\$1.75
22371-99	31-2026	Screw, Gearcover Mounting, Slotted countersunk, oval, 1/4-24 x 1-1/8", Cadmium	38	\$18.95
22581-70	31-4019	Screw, Gearcover Mounting, Slotted countersunk, oval, 1/4-24 x 1-1/8", Cadmium, 12 pack	38	
22589-83A/B	94-9254			
	94-9254-2			
2341	106-2013			
	106-2087			

H-D [®] Part Number	S&S [®] Part Number	Description	Page No.	MSRP
23729-07B	32-2310	Flywheel, Assembly, 4-3/8" Stroke, 8-1/4" Diameter, Balanced, 2006 Dynaf, 2007-up bt	5	\$1,299.95
23906-74	32-2014	Flywheel, Set, 3-1/32" Stroke, 8-1/2" Diameter, Special Order, 1936-'99 bt	26	\$430.95
23906-78B/D	32-2050	Flywheel, Set, 4-1/4" Stroke, 8-1/2" Diameter, Special Order, 1936-'99 bt	26	\$430.95
23906-87A	32-2239	Flywheel, Assembly, 4-1/4" Stroke, 8-1/2" Diameter, Balanced, 1984-'99 bt	10	\$1,134.95
23906-90	32-2239	Flywheel, Assembly, 4-1/4" Stroke, 8-1/2" Diameter, Balanced, 1984-'99 bt	10	\$1,134.95
23906-93B	32-2239	Flywheel, Assembly, 4-1/4" Stroke, 8-1/2" Diameter, Balanced, 1984-'99 bt	10	\$1,134.95
23912-07B	32-2311	Flywheel, Assembly, 4-3/8" Stroke, 8-1/4" Diameter, Balanced, 2007-up bt w/ Balancer	5	\$1,299.95
23925-37	32-3013	Flywheel, 3-13/16" Stroke, 7-7/8" Diameter, WR/KR	40	\$545.95
23941-95	32-2145	Flywheel, Assembly, 4-1/4" Stroke, 8-1/2" Diameter, Notched, Balanced, 1995-'98 bt	10	\$1,134.95
23957-99B	32-2293	Flywheel, Assembly, 4" Stroke, 8-1/4" Diameter, Balanced, 2006 Dynaf, 2007-up bt	5	\$1,299.95
23961-80A	34-2102	Crankpin, Assembly, Tapered, 1.249", 1981-up bt	10	\$114.95
23969-83	34-2104	Nut, HH, 1-20 UNEF-3B x .346", Black, Steel, 4140	10	\$5.50
23971-03	32-2241	Flywheel, Assembly, 4" Stroke, 8-1/4" Diameter, Notched, Balanced, 1999-2006 bt w/ Balancer	5	\$1,249.95
24001-30	33-2001	Sprocket Shaft, Assembly, 1936-'54 bt	40	\$132.95
24002-70	31-4011	Spacer, Sprocket Shaft, 70-up BT	11,27	\$27.95
24005-37	33-2356	Pinion Shaft, Assembly, Tapered, Standard, 1937-'43 bt	40	\$241.95
24005-57	33-2321	Pinion Shaft, Assembly, Tapered, Standard, 1957-'76 xl	18	\$201.95
24005-80	33-2323	Pinion Shaft, Assembly, Tapered, Standard, 1981-'85 xl	18	\$176.95
24006-54A	33-2024	Pinion Shaft, Assembly, Tapered, Standard, 1958-'81 bt	31	\$129.95
24006-73	33-2024	Pinion Shaft, Assembly, Tapered, Standard, 1958-'81 bt	31	\$129.95
24007-39	33-2021	Pinion Shaft, Assembly, Tapered, Standard, 1939-'53 bt	31	\$125.95
24008-97	31-4033	Spacer, Drive Sprocket, 45A Charging System, 1.131" x 1.730" x .325", Fatigue Proof, 1970-'99 bt	11	\$15.50
24010-54	33-4125	Gear, Pinion, Green, 1954-'E77 bt	28,32	\$95.95
24023-54	33-4244	Nut, Pinion Gear, 5/8-24 UNEF-3B LH x .375", Black, Steel, 4140	13,28,32	\$7.20
24040-78	33-4141	Gear, Pinion, Orange, L1977-'89 bt	13,28	\$83.95
24041-78	33-4142	Gear, Pinion, White, L1977-'89 bt	13,28	\$83.95
24042-78	33-4143	Gear, Pinion, Yellow, L1977-'89 bt	13,28	\$83.95
24043-78	33-4144	Gear, Pinion, Red, L1977-'89 bt	13,28	\$83.95
24044-78	33-4145	Gear, Pinion, Blue, L1977-'89 bt	13,28	\$83.95
24045-78	33-4146	Gear, Pinion, Green, L1977-'89 bt	13,28	\$83.95
24046-78	33-4147	Gear, Pinion, Black, L1977-'89 bt	13,28	\$83.95
24056-86	33-4152	Gear, Pinion, Blue, 1986-'87 xl	18	\$125.95
24056-91	33-4162	Gear, Pinion, Blue, 1991-'99 xl	18	\$133.95
24057-86	33-4153	Gear, Pinion, Red, 1986-'87 xl	18	\$125.95
24057-91	33-4163	Gear, Pinion, Red, 1991-'99 xl	18	\$133.95
24058-86	33-4154	Gear, Pinion, White, 1986-'87 xl	18	\$125.95
24059-86	33-4155	Gear, Pinion, Green, 1986-'87 xl	18	\$125.95
24059-91	33-4165	Gear, Pinion, Green, 1991-'99 xl	18	\$133.95
24060-86	33-4156	Gear, Pinion, Yellow, 1986-'87 xl	18	\$125.95
24060-91	33-4166	Gear, Pinion, Yellow, 1991-'99 xl	18	\$133.95
24281-83	34-7013	Connecting Rod, Set, Heavy Duty, IBC, .792" WP, 7.440", 1984-'99 bt	10	\$399.95
24331-36	34-4507	Bushing, Wristpin, .767" x .895" x .950", Bronze, 1954-up xl	18	\$3.85
24334-36	34-4007	Bushing, Wristpin, .767" x .895" x 1.077", Bronze, 1941-'99 bt	10,26,31	\$3.85
24345-36A	34-4006	Race, Rear, Connecting Rod, 1941-'99 bt	10,26,31	\$14.40
24346-87A	34-4010	Bearing, Assembly, Connecting Rod, 1.25", 1941-'99 bt	10	\$53.95
24356-36A	34-4005	Race, Front, Connecting Rod, 1941-'99 bt	10,26,31	\$18.80
24385-40B	34-4015	Bearing, Assembly, Connecting Rod, 1.25", 1941-'99 bt	26,31	\$53.95
24469-83A	31-0000	Crankcase, Assembly, Stock Bore, bt, Alternator, CPS Machining, Natural, 1984-'91	11	\$1,154.95
24469-83A	31-0005	Crankcase, Assembly, Stock Bore, bt, Alternator, CPS Machining, Natural, 1992-'99 BT	11	\$1,154.95
24519-55	31-0008	Crankcase, Assembly, Stock Bore, bt, 2B Generator, Natural, 1948-'64	34	\$1,594.95
24519-58	31-0010	Crankcase, Assembly, Stock Bore, bt, 2B Generator, Natural, 1965-'69	34	\$1,594.95
24519-65	31-0010	Crankcase, Assembly, Stock Bore, bt, 2B Generator, Natural, 1965-'69	34	\$1,594.95
24569-95	31-0055	Crankcase, Assembly, Stock Bore, bt, Alternator, CPS Machining, Wrinkle Black, 1992-'99	11	\$1,279.95
24599-58A/B	31-4004	Race, Right, Main Bearing, Standard, 1958-'99 bt	11,27,34	\$63.95

H-D [®] Part Number	S&S [®] Part Number	Description	Page No.	MSRP
24601-58B	31-4007	Race, Right, Main Bearing, +.005"	11,27,34	\$63.95
24604-00D	31-4085	Bearing, Right, Main, S&S' Crankcases 1999-'06 bt, 2000-up Bal bt, 2003-up NB bt	5	\$50.95
24626-87A	31-4005	Bearing, Assembly, Right, Main, Small/Medium, White, 1958-'99 bt	11,27	\$31.95
24628-87A	31-4016	Bearing, Assembly, Right, Main, Small, Green, 1958-'99 bt	11,27	\$33.95
24641-36	31-4008	Bushing, Drive Shaft, Oil Pump, Stepped, .424" x .533" x 2.540", Bronze, 1936-up bt	28,32,34	\$11.65
24641-87A	31-4017	Bearing, Assembly, Right, Main, Large, Red, 1958-'99 bt	11,27	\$33.95
24643-87A	31-4018	Bearing, Assembly, Right, Main, Medium/Large, Blue, 1958-'99 bt	11,27	\$33.95
24647-87	31-4055	Bearing, Assembly, Right, Main, Blue	19	\$22.95
24650-87	31-4056	Bearing, Assembly, Right, Main, Red	19	\$22.95
24659-87	31-4057	Bearing, Assembly, Right, Main, White	19	\$22.95
24660-87	31-4058	Bearing, Assembly, Right, Main, Green	19	\$22.95
24703-54B	33-4289	Spacer, Oil Pump Drive Gear, .740" x .900" x .320", Black, Steel, 1954-'89 bt	13	\$4.40
24729-74	31-4059	Bearing, Assembly, Left, Main, 1974-up xl	19	\$53.95
24754-75	50-8018	Pin, Dowel, 430" x .499", Steel	19	\$4.40
24795-48	31-2017	Spacer, Front, Motor Mount, 1948-'65 OHV bt	34,38	\$26.95
24912-48	106-4795	Tube, Crankcase Breather, Powdercoated, Gloss Black, Steel, 1936-'69 bt	34	\$69.95
24981-70	31-2010	Screen, Crankcase Oil	11,27,34	\$4.60
24982-70	31-2011-5	Spring, Crankcase Oil Screen, .040" Wire, .340" x .420" x 1.375", Music Wire, 1970-'99 bt	11,27,34	\$1.20
24982-70	31-2058	Spring, Crankcase Oil Screen, 1948-up bt, 10 Pack	11,27,34	\$10.70
25216-48	106-3499	Gearcover, Kit, Generator, KN-Seriesies, Ribbed, Stock Pinion Shaft, Natural, Late 1948-'53 bt	32,38	\$207.95
25216-58	31-0240	Gearcover, Kit, Generator, Bushing Style, Stock Style Case, Natural, Cast, 1954-'69 bt	32	\$207.95
25225-36A	31-2030	Gearcover Gasket, 1936-'64 BT	32	\$3.35
25225-36C	106-2072	Gasket, Gearcover, 1965-'69 bt	28,32	\$4.90
25225-70A/B	31-2107	Gasket, Gearcover, Undersized Profile, 1970-'99 bt	28	\$2.75
25225-93B	31-2032-5	Gasket, Gearcover, Black, Paper, 1999-up bt	6	\$6.35
25244-99A	31-2063	Gasket, Gearcover, 1999-up bt, 10 Pack	6	\$57.95
25263-90C	31-2052	Gasket, Gearcover, S&S' Cover, 1986-2003 xl	20	\$3.65
25310-82A	33-4241	Gear, Breather, L1977-'99 bt	14	\$85.95
25313-73	33-4246	Gear, Breather, 1948-'E77 bt	28	\$92.95
25313-77B	33-4241	Gear, Breather, L1977-'99 bt	28	\$85.95
25320-79	33-1001	Shim, +.110", Steel, 5 Pack	28,32	\$17.15
25320-79	33-4201	Shim, Breather Gear, .325" x .740" x .110", Steel	28,32	\$3.75
25320-82	33-4203	Shim, Breather Gear, .325" x .740" x .130", Steel	14	\$3.10
25322-79	33-1002	Shim, Breather Gear, .120", Steel, 5 Pack	28,32	\$17.15
25322-79	33-4202	Shim, Breather Gear, .325" x .740" x .120", Steel	28,32	\$3.75
25322-82	33-1004	Shim, +.140", Steel, 5 Pack	14	\$17.15
25322-82	33-4204	Shim, Breather Gear, .325" x .740" x .140", Steel	14	\$3.75
25325-79	33-4203	Shim, Breather Gear, .325" x .740" x .130", Steel	28,32	\$3.10
25325-82	33-1005	Shim, +.150", Steel, 5 Pack	14	\$17.15
25325-82	33-4205	Shim, Breather Gear, .325" x .740" x .150", Steel	14	\$3.75
25327-79	33-1004	Shim, +.140", Steel, 5 Pack	28,32	\$17.15
25327-79	33-4204	Shim, Breather Gear, .325" x .740" x .140", Steel	28,32	\$3.75
25327-82	33-1006	Shim, +.160", Steel, 5 Pack	14	\$17.15
25327-82	33-4206	Shim, Breather Gear, .325" x .740" x .160", Steel	14	\$3.75
2551W	50-0018	Screw, HHCS, 1/4-20 x 1", Zinc, Steel	34	\$1.00
2551W	50-0270	Screw, HHCS, 1/4-20 x 1", 10 Pack	34	\$3.20
25523-70	1-0010	Camshaft, Assembly, Replacement "H", 1970-'77 bt	28	\$169.95
25530-81	1-0011	Camshaft, Assembly, Replacement "H", 1978-'84 bt	28	\$169.95
25550-36	33-1007	Washer, Cam, Thrust, .820" x 1.060" x .050", Steel, 5 Pack	13,28,32,34	\$27.95
25550-36	33-5200	Washer, Cam, Thrust, .820" x 1.060" x .050", Steel	13,28,32,34	\$6.15
25550-57A	33-5201	Washer, Cam, Lock, .062", Steel, 1958 - 99 bt	13	\$4.65
25550-57A	33-5213	Washer, Cam, Lock, .062", Steel, 5 Pack	13	\$26.95
25551-36	33-1008	Washer, Cam, Thrust, .820" x 1.060" x .055", Steel, 5 Pack	28,32	\$27.95
25551-36	33-5202	Washer, Cam, Thrust, .820" x 1.060" x .055", Steel	28,32	\$6.15
25552-36	33-1009	Washer, Cam, Thrust, .820" x 1.060" x .060", Steel, 5 Pack	28,32	\$27.95
25552-36	33-5203	Washer, Cam, Thrust, .820" x 1.060" x .060", Steel	28,32	\$6.15
25553-36	33-1010	Washer, Cam, Thrust, .820" x 1.060" x .065", Steel, 5 Pack	28,32	\$27.95
25553-36	33-5204	Washer, Cam, Thrust, .820" x 1.060" x .065", Steel	28,32	\$6.15
25554-36	33-1011	Washer, Cam, Thrust, .820" x 1.060" x .070", Steel, 5 Pack	28,32	\$27.95
25554-36	33-5205	Washer, Cam, Thrust, .820" x 1.060" x .070", Steel	28,32	\$6.15
25555-36	33-1012	Washer, Cam, Thrust, .820" x 1.060" x .075", Steel, 5 Pack	28,32	\$27.95
25555-36	33-5206	Washer, Cam, Thrust, .820" x 1.060" x .075", Steel	28,32	\$6.15

OEM to S&S Cross Reference Chart

OEM to S&S Cross Reference Chart

OEM to S&S Cross Reference Chart

H-D® Part Number	S&S® Part Number	Description	Page No.	MSRP
25556-36	33-1013	Washer, Cam, Thrust, .820"x 1.060"x .080", Steel, 5 Pack	28, 32	\$57.95
	33-5207	Washer, Cam, Thrust, .820"x 1.060"x .080", Steel	28, 32	\$12.75
25558-36	33-1014	Washer, Cam, Thrust, .820"x 1.060"x .090", Steel, 5 Pack	28, 32	\$57.95
	33-5209	Washer, Cam, Thrust, .820"x 1.060"x .090", Steel	28, 32	\$12.75
25566-06	50-0100	Screw, HHC, Flanged, Gr8, 5/16-18 x 3/4", Black, Steel	6	\$0.95
25581-36	31-4025	Bushing, Cam, Bronze, 1936-'69 bt	28, 32	\$14.40
25582-54A	31-4020	Bushing, Pinion Shaft, Bronze, 1954-'72 bt	28, 32	\$10.50
25582-93	31-4031	Bushing, Pinion Shaft, Bronze, 1973-'92 bt	13	\$10.50
25586-37	31-4037-S	Bushing, Cam, #11/3/4, Bronze, 1957-up xl	19, 20	\$21.95
25588-57	31-4036-S	Bushing, Cam, #2, Bronze, 1957-up xl	13	\$19.95
25775-36	33-4216	Gear, Idler, 1936-'69 bt	28, 32	\$134.95
25791-36	31-2039	Shaft, Idler Gear, .5556" x 1.8760", AISA 8620H, 1936-'69 bt	28, 32, 34	\$11.65
25794-36	50-0013	Screw, SHCS, 1/4-20 x 2", Zinc, ASTM A574-92A	28, 32	\$1.20
25850-36A	33-4215	Gear, Assembly, Circuit Breaker, 1936-'69 bt	28, 32	\$224.95
25856-36	31-2037	Shaft, Circuit Breaker Drive Gear, 1936-'69 bt	28, 32, 34	\$21.95
26190-73	31-6203	Oil Pump, Kit, Universal, Polished, Billet, 1970-'91 bt	25	\$327.95
26207-83	31-6018	Spring, Relief Valve, .040" Wire, .242" x .324" x 2.32", ASTM A-229, 1936-'99 bt	14, 25	\$1.30
	31-6084	Spring, Relief Valve, 1936-'99 bt, 10 Pack	14, 25	\$11.75
26227-58	31-6005	Seal, Oil Pump Drive Shaft, 1968-up bt	14, 25	\$3.30
26262-80	31-6022	Spring, Check Valve, .020" Wire, .265" x .319" x 1.940", Music Wire, 1936-'99 bt	14, 25	\$1.35
	31-6092	Spring, Check Valve, 1936-'99 bt, 10 Pack	14, 25	\$12.15
26263-80	31-6021	Screw, Oil Pump/Check Valve/Relief Va, Zinc, Steel	11, 14, 25, 27, 34	\$4.40
26263-80	31-7005	Screw, Oil Pump/Check Valve/Relief Va, Chrome, Steel, 5 Pack	11, 14, 25, 27, 34	\$19.95
26315-68A	31-6013	Gear, Return Drive, 1968-'99 bt	14, 25	\$18.80
26317-68A	31-6014	Gear, Return Idler, 1968-'99 bt	14, 25	\$18.80
26318-75	33-4228	Gear, Pinion, Oil Pump Drive, 1977-'87 xl	18	\$79.95
26326-62A	31-6016	Gear, Supply Idler, 1936-up bt	14, 25	\$17.75
26327-68	31-6004	Shaft, Idler, .4243" x 1.3350", Cold Drawn Steel, AISA 1215, 1968-'99 bt	14, 25	\$8.85
26328-74	31-6015	Gear, Supply Drive, 1936-up bt	14, 25	\$17.75
26338-68	106-2682	Fitting, Pipe, 90°, Male/Female, Machined, 1/8-27 NPTF x .500", Zinc Plated, Steel	14, 25	\$4.85
	50-1007	Fitting, Pipe, 90°, Male/Female, 1/8-27 NPTF x .500", Zinc, Steel, 5 Pack	14, 25	\$21.95
26345-73	50-8280	Fitting, Pipe, 90°, Male/Female, 1/8-27 NPTF x .500", Zinc, Steel, 2 Pack	14, 25	\$7.95
	33-4230	Gear, Pinion, Oil Pump Drive, 24 Tooth, 1936-'69 bt	14, 28, 32	\$26.95
26346-70	31-6011	Shaft, Drive, Oil Pump, .4223" x 4.650", Cold Drawn Steel, AISA 1146, 1968-'99 bt	14, 25, 28, 32	\$15.50
26348-15	50-8220-S	Key, Woodruff, .094" x .313" x .311", Steel	14, 25, 28, 32	\$1.00
	50-8229	Key, Woodruff, .094" x .313" x .311", Steel, 10 Pack	14, 25, 28, 32	\$7.20
26348-36	50-8058	Retaining Ring, Oil Pump Drive Shaft, SAE 1060-1090	14, 25	\$1.20
	50-8106	Retaining Ring, External, .382" x .021", 10 Pack	14, 25	\$11.05
26349-73	33-4232	Gear, Pinion, Oil Pump Drive, 6 Tooth, 1954-'89 bt	28, 32	\$37.95
26400-82	31-6082	Valve, Pressure Relief, Oil Pump, 1984-'99 bt	14, 25	\$6.65
26661-84	31-2016	Switch, Assembly, Oil Pressure, 1984-'99 bt	11	\$10.65
2675	106-0913	Screw, SHC, 10-24 x 3/4", Chrome	31	\$2.00
26856-89	90-4030	Seal, Umbrella Valve Cover	9, 17	\$1.35
26992-99	16-0236	Seal, Intake, Stock Heads, 1984-up bt, 1986-up xl	7	\$4.30
	16-0244	O-ring, Manifold, Stock Ports, 1.780" ID x 2.050" OD, Black, 10 Pack	7	\$38.95
26995-86A	16-0236	Seal, Intake, Stock Heads, 1984-up bt, 1986-up xl	7, 15, 21	\$4.30
	16-0244	O-ring, Manifold, Stock Ports, 1.780" ID x 2.050" OD, Black, 10 Pack	7, 15, 21	\$38.95
27002-89	16-0242	U-ring, Manifold, 40mm Stock CV/42mm Mikuni	7, 15, 21	\$14.95
	16-0232	Flange, Front, Manifold, 1984-2005 bt, 1986-2006 xl	7, 15, 21	\$11.00
27009-86A	16-0600	Flange, Front, Manifold, 1984-2005 bt, 1986-2006 xl, 5 Pack	7, 15, 21	\$49.95
	16-0233	Flange, Rear, Manifold, 1984-2005 bt, 1986-2006 xl	7, 15, 21	\$11.00
27010-86A	16-0601	Flange, Rear, Manifold, 1984-2005 bt, 1986-2006 xl, 5 Pack	7, 15, 21	\$49.95
	16-1736	Manifold, CV Carb, S&S® Ports, 1-7/8", #410, Natural, 1984-'99 bt	15	\$107.95
27021-71A	16-1200	Manifold, O-ring, 1-7/8", #220, Natural, 1957-'78 bt, xl	30	\$83.95
27021-78	16-1300	Manifold, Band, 1-7/8", #220, Natural, 1979-'84 bt, xl	30	\$83.95
27060-55	50-8046	O-ring, (-326), 1.625" ID x 2" OD, Black,	30	\$3.85
	50-8132	O-ring, (-326), 1.625" ID x 2" OD, Black, 10 Pack	30	\$34.95

H-D® Part Number	S&S® Part Number	Description	Page No.	MSRP
27062-78	16-0238	Seal, Manifold, Band Style, 2.010" x 2.315" x .7870", Buna, 1979-'84 bt, 1979-'85 xl	30	\$2.50
	16-0245	Seal, Manifold, Band Style, 1979-'84 bt, 1979-'85 xl, 10 Pack	30	\$22.95
27063-57	16-0230	Clamp, Manifold, O-ring Style	30	\$10.50
27063-78	16-0231	Clamp, Manifold, Band Style	30	\$8.85
27063-80	16-0231	Clamp, Manifold, Band Style	30	\$8.85
27270-95	55-5041	Sensor, Kit, Temperature, Intake Air	7, 15	\$14.50
27271-95	55-5058	Sensor, Kit, Throttle Position, VFI	7, 15	\$40.95
27369-76	19-0262-S	Hose, Overflow, .125" x .250" x 24", Plastic, Duro 68A	30	\$4.85
	19-0263	Hose, Overflow, .125" x .250" x 24", 5 Pack	30	\$21.95
2759	50-0015	Screw, SLTD RH, 1/4-20 x 1/2", Zinc, Steel	34	\$0.25
27613-99	16-1722	Manifold, CV Carb, S&S® Ports, 1-7/8", #410, Natural, 1999-up bt	7	\$107.95
27628-01	55-5085	Motor, Kit, Idle Air Control, EFI	7	\$85.95
2872W	50-0080	Screw, HHC, Gr5, 1/4-20 x 1-1/2", Zinc, Steel	14, 25	\$0.25
29036-88B	106-4633	Filter, Air, 1986-2003 xl	21	\$66.95
29330-96	106-4632	Filter, Air, Carb, 1990-'99 bt	15	\$62.95
29331-04	106-4635	Filter, Air, 2004-'12 xl	21	\$74.95
29331-96	106-4633	Filter, Air, 1986-2003 xl	21	\$66.95
29461-99	106-4630	Filter, Air, Carb/EFI, 2001-'08 Softail® EFI, 2002-'07	7	\$74.95
29462-99	106-4631	Filter, Air, 1999-2001 EFI	7	\$77.95
29950-91	31-2050	Cover, Stator Wire, 1991-2003 xl	19	\$3.30
31655-99	8-3010	H-D TC88 IGNITION COIL	7	\$119.95
3201WA	50-0101	Screw, SHC, 5/16-18 x 1", Zinc, ASTM A574-92A	15, 21	\$0.55
32311-83	55-1323	Spark Plug, Resistor, 14mm, 2 Pack	8	\$8.85
32316-99	55-5057	Sensor, MAP, ISTT	7	\$49.95
32317-86A	55-1322	Spark Plug, Resistor, 12mm, 2 Pack	16, 21	\$11.45
32362-04	55-1322	Spark Plug, Resistor, 12mm, 2 Pack	16, 21	\$11.45
32401-80	8-1150	H/D IGNITION ROTOR	30	\$8.45
32402-83	8-1150	H/D IGNITION ROTOR	30	\$8.45
32446-99	55-1014	Sensor, Temperature, Cylinder Head, 4-1/8" 1984-'99 bt, 1999-up bt	7	\$24.95
32531-36	33-4217	Gear, Circuit Breaker, 1936-'69 bt	28, 32	\$48.95
32591-70	31-0225	Gasket, Ignition Cover, 1970-'99 bt	13, 28	\$1.00
	31-0260	Gasket, Ignition Cover, 1970-'99 bt, 10 Pack	13, 28	\$7.20
32591-80	31-0225	Gasket, Ignition Cover, 1970-'99 bt	13, 28	\$1.00
	31-0260	Gasket, Ignition Cover, 1970-'99 bt, 10 Pack	13, 28	\$7.20
32606-82	31-0224	Screw, Timing Mechanism, Steel	13, 28	\$3.25
	31-0224P	Screw, Timing Mechanism, Steel, 2 Pack	13, 28	\$5.75
33114-79	56-1067	Guide, Shifter Shaft, 5 Speed Rigid Mount, 1986-'99 bt	12	\$6.05
33277-36	106-6479-00	Cover, Kit, Transmission Kick Start, Flathead Power®, Stock 1940-'50bt	33, 38	\$129.95
	106-6479-G6	Cover, Kit, Transmission Kick Start 1940-'47 bt G6 Date Code	33, 38	\$129.95
33277-36	106-6479-J7	Cover, Kit, Transmission Kick Start 1948-'50 bt J7 Date Code	33, 38	\$129.95
	106-6473	Bushing, Lower, Clutch Arm, Transmission Cover, Kick Start, Flathead Power®, Stock 1937-'50 bt	30, 33, 38	\$11.95
33290-38	106-6473	Bushing, Lower, Clutch Arm, Transmission Cover, Kick Start, Flathead Power®, Stock 1937-'50 bt	30, 33, 38	\$11.95
33291-36	106-6474	Bushing, Upper, Clutch Arm, Transmission Cover, Kick Start, Flathead Power®, Stock 1937-'50 bt	30, 33, 38	\$24.95
33295-36	560-0012	Gasket, Cover, Transmission Kick Start, Flathead Power®, Stock 1937-'50 bt	30, 33, 38	\$2.20
337	50-8171	Pin, Dowel, .312" x 1", Steel	12	\$1.65
3430	50-0119	Screw, HHC, Gr8, 5/16-24 x 5", Zinc, Steel	11, 27, 34	\$1.55
34464-86A	56-5115	Cover, Transmission Top, S&S® 6 Speed, Chrome, Cast, 1991-'99 Softail®, 1991-2000 FLT	12	\$134.95
34468-86A	56-5115	Cover, Transmission Top, S&S® 6 Speed, Chrome, Cast, 1991-'99 Softail®, 1991-2000 FLT	12	\$134.95
34468-98	56-5115	Cover, Transmission Top, S&S® 6 Speed, Chrome, Cast, 1991-'99 Softail®, 1991-2000 FLT	12	\$134.95
34473-85A	31-0052	Crankcase, Assembly, Stock Bore, bt, Alternator, Wrinkle Black, 1984-'91	11	\$1,279.95
34732-89A	56-1047	Transmission Case, Assembly, 5 Speed, w/ Bearings & Seals, Wrinkle Black, 1989-'99 bt	12	\$508.95
34732-96	56-1047	Transmission Case, Assembly, 5 Speed, w/ Bearings & Seals, Wrinkle Black, 1989-'99 bt	12	\$508.95
3477	106-3634	Screw, Valve Spring Covers, Stock 1936-'47 OHV bt & KN-Series	36	\$0.95
34904-86D	56-5107-S	Gasket, Top Cover, Transmission, 6 Speed, 1991-2006 Softail®, FLT	12	\$11.40
35021-89	50-8053	Retaining Ring, Internal, 2.054" x .062", Carbon Steel, SAE 1060-1090	12, 20	\$1.65
35030-89	56-3027	Bearing, Ball, 20mm x 47mm x 14mm, 1991-2003 xl	20	\$45.95
35038-84	50-8052	Retaining Ring, Internal, 2.702" x .078", Carbon Steel, SAE 1060-1090	20	\$2.20

H-D [®] Part Number	S&S [®] Part Number	Description	Page No.	MSRP
3506	31-2003	Stud, Crankcase Alignment, 5/16-24 UNF x 5.750", Zinc, Steel	11,27,34	\$5.70
35078-79	56-1278-S	Nut, Jam, HH, 3/4-16 UNF-2B, Steel/Nylon	12	\$5.80
35114-02	50-8160-S	Retaining Ring, Internal, 2.731" x .031" x .158", Steel, SAE 1070-1090	5	\$1.10
35151-74A	31-4060	Seal, Left, Main Bearing, 1.500" x 2" x .313", 1974-up xl	19	\$9.65
35251-93B	56-1027	Trap Door, Kit, Transmission, 5 Speed, Natural, Billet, 1986-'99 bt	12	\$228.95
35652-79A	56-1026	Gasket, Trap Door, Transmission, 5 Speed	6,12	\$2.20
35653-98A	56-1026	Gasket, Trap Door, Transmission, 5 Speed	12	\$2.20
358	50-8022	Pin, Dowel, .250" x .500", Steel	11,19	\$2.35
	50-8022-2	Pin, Dowel, .250" x .500", Steel, 2 Pack	11,19	\$4.25
36801-87C	56-5111	Gasket, Side Cover, Transmission, 6 Speed, 10 Pack	12	\$52.95
	56-5111-S	Gasket, Side Cover, Transmission, 6 Speed	12	\$5.80
37071-87	56-5132	Dipstick, Oil,	6,12	\$29.95
37075-87	56-5132	Dipstick, Oil,	6,12	\$29.95
3728	50-0014	Screw, HHCS, 1/4-20 x 1/2", Zinc, Steel	34	\$0.25
	50-0246-S	Screw, 12 pt, 1/4-20 x 7/8", Chrome, Steel	24	\$2.45
3750	50-0246P	Screw, 12 pt, 1/4-20 x 7/8", Chrome, Steel, 4 Pack	24	\$8.95
	50-0246P	Screw, 12 pt, 1/4-20 x 7/8", Chrome, Steel, 4 Pack	9,24	\$8.95
3770	50-0246-S	Screw, 12 pt, 1/4-20 x 7/8", Chrome, Steel	9,24	\$2.45
3987 4017	50-0108	Bolt, Hex Head, Gr5, 5/16-18 x 1", Zinc	15	\$0.40
4091	50-0023	Screw, SHCS, 10-24 x 3/8", Chrome, Steel	19	\$1.60
45830-48	50-1015	Plug, Pipe, 3/4 Taper, 1/8-27 NPTF x .188", Zinc, Steel, 10 Pack	14,25,34	\$4.25
	50-8331	Plug, Pipe, 3/4 Taper, 1/8-27 NPTF x .188", Zinc, Steel	14,25,34	\$1.00
4726	50-0176	Screw, HHC, 7/16-20 x 1-1/4"	22	\$1.00
4741	50-0257-S	Screw, SHCS, 1/4-20 x 1-1/4", Chrome, ASTM A574-92A	6	\$1.85
4741A	50-0084	Screw, SHCS, 1/4-20 x 1", Zinc, ASTM A574-92A	4,6	\$1.00
	50-0092-S	Screw, SHCS, w/ Flat Washer, 1/4-20 x 1", Zinc, ASTM A574-92A	4,6	\$1.25
	50-0092P	Screw, SHCS, w/ Flat Washer, 1/4-20 x 1", Zinc, ASTM A574-92A, 4 Pack	4,6	\$3.55
	50-0154	Screw, SHCS, w/ Washer, 1/4-20 x 1", 10 Pack	4,6	\$11.30
	50-0244	Screw, SHCS, 1/4-20 x 1", 10 Pack	4,6	\$5.35
5226B	50-8080	Stud, Shifter Shaft, 1/4-20, 1/4-28 x 1.250"	19	\$2.20
5430W	50-0088	Screw, SHC, 1/4-24 x 2-1/4", Zinc, ASTM A574-92A	14	\$2.65
	50-0187	Screw, SHCS, 1/4-24 x 2-1/4", 5 Pack	14	\$12.15
6016	50-7034	Washer, Flat, .344" x .688" x .065", Zinc, Steel	11,27,34	\$0.25
609	50-8173	Pin, Roll, .392" x .320", Steel	12	\$1.65
	50-7020	Washer, .261" x .474" x .050", Annealed, Stainless Steel	28	\$1.00
6099	50-7076	Washer, Flat, .261" x .474" x .050", Annealed, Stainless Steel, 10 Pack	28	\$3.75
6156	50-7001	Washer, Flat, .192" x .400" x .035", Brass, 10 Pack	14	\$12.95
	50-7008	Washer, Flat, .192" x .400" x .035", Brass	14	\$1.40
6194	50-7021	Washer, Flat, .281" x .625" x .080", Zinc, Steel	28	\$1.00
	50-7074	Washer, Flat, .281" x .625" x .080", Zinc, Steel, 10 Pack	28	\$4.25
6245	50-7021	Washer, Flat, .281" x .625" x .080", Zinc, Steel	11,27,34	\$1.00
	50-7074	Washer, Flat, .281" x .625" x .080", Zinc, Steel, 10 Pack	11,27,34	\$4.25
62484-81	31-2021	Fitting, Pipe, Straight, 1/8-27 NPTF x 7/16-24 UNS-2A x	27,34	\$5.30
634	106-3175	Pin, Roll, .328" x .760", Zinc, Steel, 10 Pack	12	\$6.45
	50-8175	Pin, Roll, .328" x .760", Zinc, Steel	12	\$1.00
63523-92	50-8120	Fitting, Compression, Male/Female, 1/8-27	14	\$6.05
63533-15	31-2018	Fitting, Pipe, Straight, 9/16-24 UNEF-2A x 1/8-27 NPT, Zinc, Brass	34	\$4.40
63533-41A	50-8115	Fitting, Hose, Straight, 1/8-27 NPTF x .500", Zinc, Steel	19	\$2.20
63533-65	31-2019	Fitting, Pipe, Straight, 1/8-27 NPTF x .420" x 3.110", Zinc, Steel	34	\$8.50
63614-72	31-6026	Screw, Chain Oiler, Zinc, Steel	25	\$4.40
	31-4103	Filter, Oil, T-Series & T, Black	5	\$11.65
63731-99A	310-0241	Filter, Oil, T-Series & T, Blk, 12 Pk	5	\$127.95
63796-77A	31-4102	Filter, Oil, SB, SH & V-Series, Chrome	11,27	\$14.40
	310-0240	Filter, Oil, SB, SH & V-Series, Chrom, 12 Pk	11,27	\$157.95
63798-99A	31-4104	Filter, Oil, T-Series & T, Chrome	5	\$14.40
	310-0242	Filter, Oil, T-Series & T, Chrom, 12 P	5	\$157.95
63810-80	31-4101	Filter, Oil, SB, SH & V-Series, Black	11,27	\$11.65
	310-0239	Filter, Oil, SB, SH & V-Series, Blk, 12 Pk	11,27	\$127.95
63858-49	50-7018	Washer, Flat, .250" x .625" x .031", Copper	9,17	\$0.25
6469	106-5314	Washer, Head Bolt, Cadmium Plated, 1936-'64 OHV bt	36	\$0.85
6469HW	93-3024	Head Bolt, w/ Washer, 12 pt, 7/16-20 X 2-3/8" x 1" TD, 10 Pack	22	\$79.95
6495HW	50-7064	Washer, Flat, .469" x .922" x .125", Zinc, Steel	22	\$0.65

H-D [®] Part Number	S&S [®] Part Number	Description	Page No.	MSRP
6506	32-2019	Washer, Flywheel, Thrust, w/ 1.250" Crankpin, 1.415" x 2.329" x .065", Phosphor Bronze	10,26,31	\$22.95
65324-83B	106-5029	Gasket, Exhaust, Tapered, Stainless Steel, 1984-up bt, 1986-up xl	3,8,16	\$4.50
	93-1072	Gasket, Exhaust, Stainless Steel, 1984-'99 bt, 1986-2003 xl, 10 Pack	3,8,16	\$40.95
6702	50-7034	Washer, Flat, .344" x .688" x .065", Zinc, Steel	11,27,34	\$0.25
6703	50-7021	Washer, Flat, .281" x .625" x .080", Zinc, Steel	25,28	\$1.00
	50-7074	Washer, Flat, .281" x .625" x .080", Zinc, Steel, 10 Pack	25,28	\$4.25
6737	50-7150	Washer, .903" x 1.053" x .034", Light Oil, Cold Rolled Steel	9	\$0.35
6762B	50-7131	Washer, Flat, .715" x .950" x .031", Steel	4,9,24,36	\$1.10
	50-7136	Washer, Flat, .715" x .950" x .031", Steel, 10 Pack	4,9,24,36	\$10.20
68042-99	50-0054-S	Screw, Torx Panhead, 8-32 x 3/8", Zinc, Steel	5	\$0.35
7035	50-7019	Washer, Lock, .250"	34	\$0.25
7036	50-7019	Washer, Lock, .250"	25	\$0.25
7055	106-5313	Washer, Lock, 7/16", Cadmium Plated	36,39	\$1.00
7069	50-7000	Washer, Lock, .200" x .334" x .047", Stainless Steel	25	\$0.25
720	31-2005	Plug, Timing, Threaded, 5/8-18 UNF-2A x .545", Zinc, Steel	19	\$3.85
74513-82A	8-4060	H-D CHR.REG.88-99 RD.HOUSING	13,30	\$124.95
	8-4061	H-D CHR.REG.81-88 RD.HOUSING	13,30	\$124.95
7634	50-5000	Nut, HH, 10-32 UNF-2B x .130", Zinc, Steel	25	\$0.25
765	50-8330	Plug, Pipe, 3/4 Taper, 1/4-18 NPTF x .460", Zinc, Steel	5,34	\$1.05
7675	50-5011	Nut, HH, 1/4-28 UNC-2B x .226", Zinc, Steel	11,27,34	\$0.25
7676	50-5011	Nut, HH, 1/4-28 UNC-2B x .226", Zinc, Steel	11,27,34	\$0.25
7683	50-5011	Nut, HH, 1/4-28 UNC-2B x .226", Zinc, Steel	11,27,34	\$0.25
7825	50-5045	Nut, Lock, HH, 7/16-20, Steel/Nylon	22	\$0.30
7833	50-5023	Nut, HH, 5/16-24 UNF-2B x .273", Zinc, Steel	11,27,34	\$0.25
7839	106-4524	Nut, Cylinder Base, HH, 7/16-20 UNF-2B, Cadmium Plated, Stock 1930-'78 bt	36,39	\$1.60
7861	50-5037	Nut, HH, 3/8-24 UNC-2B x .337", Zinc, Steel	19	\$0.25
83162-51	31-4022	Seal, Gearcover Cam, 1" x 1.441" x .250", 1970-up bt	13,28	\$3.65
	31-7002	Seal, Gearcover Cam, 1970-up bt, 5 Pack	13,28	\$16.65
8866	50-8091	Ball, Check Valve, .375", Stainless Steel	14,25	\$0.55
8873	50-8091	Ball, Check Valve, .375", Stainless Steel	14,25	\$0.55
8881	31-4050	Race, Right, Main Bearing, Standard, 1987-2003 xl	19	\$26.95
8977	56-3031	Bearing, Needle, Transmission Countershaft, 1984-'99 bt Left Hand, 1991-20	6,12,19	\$19.40
8996A	56-1280	Bearing, Ball, Transmission Mainshaft, 10 Balls, 45mm x 85mm x 19mm	12,19	\$55.95
8998	56-3026	Bearing, Ball, Transmission Countershaft, Left Hand, 20mm x 47mm x 14mm, 1991-'06 bt, 1991-'03 xl	12,20	\$20.95
902	50-0310	Screw, PHIL/OH, 1/4-20 x 1", Black, 3 Pack	28	\$8.60
	50-0310-S	Screw, PH, 1/4-20 x 1", Black, Stainless Steel	28	\$3.15
9028	31-4013	Bearing, Assembly, Left, Main	5,11,27	\$55.95
905	50-0334	Screw, FLC, 1/4-20 x 1-3/4", 5 Pack	28	\$3.30
	50-0334-S	Screw, SFH, 1/4-20 x 1-3/4", Black, Alloy Steel	28	\$1.00
9058	31-4009	Bearing, Assembly, Needle, Cam	11,27,28,32,34	\$8.30
9124	31-4071	Spacer, Left, Main Bearing, .100", Steel, 1969-'99 bt	11,27	\$6.65
9125	31-4072	Spacer, Left, Main Bearing, .102", Steel, 1969-'99 bt	11,27	\$6.65
9126	31-4073	Spacer, Left, Main Bearing, .104", Steel, 1969-'99 bt	11,27	\$6.65
9127	31-4074	Spacer, Left, Main Bearing, .106", Steel, 1969-'99 bt	11,27	\$6.65
9128	31-4075	Spacer, Left, Main Bearing, .108", Steel, 1969-'99 bt	11,27	\$6.65
9134	31-4076	Spacer, Left, Main Bearing, .120", Steel, 1969-'99 bt	11,27	\$6.65
9151	56-3032	Bearing, Transmission Shift Drum, 1991-2003 xl, Right Hand	19	\$10.50
9186	34-4033	Bearing, Front, Rod, Standard, Alloy	26,31	\$1.00
9187	56-3030	Bushing, Shifter Drum, 1.218" x 1.407" x .375", Bronze, 1991-2003 xl	20	\$7.70
9198	31-4080	Bearing, Assembly, Inner, Needle, Cam, .875" x 1.125" x .500", 1999-2006 bt except 2006 Dynaf	5,6	\$8.50
	31-4199-S	Bearing, Inner, Needle, Cam	5,6	\$14.80
9215	31-4499	Bearing, Assembly, Inner, Needle, Cam, 2006-up bt, 2 Pack	5,6	\$26.95
9441A	34-4034	Bearing, Rear, Rod, Standard, Alloy	26,31	\$1.00
RLDR, WLDR, WR 80168-32	90-2345	Spring, Kit, Valve, Single Valves, 1941-'51 WR, 1952-'53 KR	39	\$83.95

OEM to S&S Cross Reference Chart

S&S to OEM Cross Reference Chart

Parts for Twin Cam 88°/96°/103™
 Parts for Evolution®
 Parts for Sportster®
 Parts for Shovelheads
 Parts for Panheads
 Parts for Knuckleheads
 Parts for Flatheads
 Index Cross Reference

S&S® Part Number	H-D® Part Number	Description	Page No.	MSRP
1-0010	25523-70	Camshaft, Assembly, Replacement "H", 1970-'77 bt	28	\$169.95
1-0011	25530-81	Camshaft, Assembly, Replacement "H", 1978-'84 bt	28	\$169.95
1-0100		Camshaft, Assembly, FB300, 1948-'69 bt		\$169.95
3-0101		Roller, Kit, Replacement		\$74.95
3-0150		Insert, Assembly, Hydraulic, 1 Pack		\$89.95
3-1013		Tappet, Hydraulic, Roller, 2 Pack		\$209.95
3-10130S		Tappet, Hydraulic, Roller, Oversized, 2 Pack		\$234.95
3-2050	18523-86A	HYD. ROL.LIFTER H-D EVO P/1	9	\$56.95
3-2100		HYD. ROL.LIFTER H-D SPSTR. P/1		\$32.95
3-2200		Tappet, Roller, Hydraulic, H-D 1999-up bt, 2000-up xl/Buell™		\$56.95
8-1150	32401-80 32402-83	H/D IGNITION ROTOR	13,30	\$8.45
8-3002		H-D DUAL FIRE IGNITION COIL		\$99.95
8-3006		H-D DUAL FIRE IGNITION COIL		\$99.95
8-3010	31655-99	H-D TC88 IGNITION COIL	7	\$119.95
8-4060	74513-82A	H-D CHR.REG.88-99 RD.HOUSING	13,30	\$124.95
8-4061	74513-82A	H-D CHR.REG-81-88 RD.HOUSING	13,30	\$124.95
8-5002		H-D CUSTOM WIRESET SET/2		\$21.95
8-5003		H-D CUSTOM WIRESET SET/2		\$21.95
8-5004		Wire, Set, H-D™, Custom, 2 Pack		\$21.95
8-5005		H-D CUSTOM WIRESET SET/2		\$21.95
8-5006		H-D CUSTOM WIRESET SET/2		\$21.95
8-5007		H-D CUSTOM WIRESET SET/2		\$21.95
8-5008		H-D CUSTOM WIRESET SET/2		\$21.95
16-0136-S		Fitting, Hose, Straight, .200" x .098", Brass		\$2.70
16-0230	27063-57	Clamp, Manifold, O-ring Style	30	\$10.50
16-0231	27063-78 27063-80	Clamp, Manifold, Band Style	30	\$8.85
16-0232	27009-86A	Flange, Front, Manifold, 1984-2005 bt, 1986-2006 xl	7,15,21	\$11.00
16-0233	27010-86A	Flange, Rear, Manifold, 1984-2005 bt, 1986-2006 xl	7,15,21	\$11.00
16-0235		Seal, Intake, S&S™ Heads, 1984-up bt, 1986-up xl		\$4.70
16-0236	26992-99 26995-86A	Seal, Intake, Stock Heads, 1984-up bt, 1986-up xl	7,15,21	\$4.30
16-0238	27062-78	Seal, Manifold, Band Style, 2.010" x 2.315" x .7870", Buna, 1979-'84 bt, 1979-'85 xl	30	\$2.50
16-0242	27002-89	U-ring, Manifold, 40mm Stock CV/42mm Mikuni™, Packaged	7,15,21	\$14.95
16-0243		O-ring, Manifold, S&S™ Ports, 1.845" ID x 2.070" OD, Black, ;, 1984-up bt, 1986-2003 xl, 10 Pack		\$42.95
16-0244	26992-99 26995-86A	O-ring, Manifold, Stock Ports, 1.780" ID x 2.050" OD, Black, ;, 10 Pack	7,15,21	\$38.95
16-0245	27062-78	Seal, Manifold, Band Style, 1979-'84 bt, 1979-'85 xl, 10 Pack	30	\$22.95
16-0600	27009-86A	Flange, Front, Manifold, 1984-2005 bt, 1986-2006 xl, 5 Pack	7,15,21	\$49.95
16-0601	27010-86A	Flange, Rear, Manifold, 1984-2005 bt, 1986-2006 xl, 5 Pack	7,15,21	\$49.95
16-1200	27021-71A	Manifold, O-ring, 1-7/8", #220, Natural, 1957-'78 bt, xl	30	\$83.95
16-1300	27021-78	Manifold, Band, 1-7/8", #220, Natural, 1979-'84 bt, xl	30	\$83.95
16-1628		Manifold, S&S™ Ports, 1-7/8", VOES, #410, Natural, 1984-'99 bt, 1986-2003 xl		\$91.95
16-1658		Manifold, Kit, Conversion, SS&SS™ Ports, 1-7/8", VOES, #410, Natural, 1984-'99 bt		\$107.95
16-1722	27613-99	Manifold, CV Carb, S&S™ Ports, 1-7/8", #410, Natural, 1999-up bt	7	\$107.95
16-1736	27019-89	Manifold, CV Carb, S&S™ Ports, 1-7/8", #410, Natural, 1984-'99 bt	15	\$107.95
16-5009-S		Gasket, Air Temperature Sensor, S&S™ VFI		\$3.00

S&S® Part Number	H-D® Part Number	Description	Page No.	MSRP
19-0262-S	27369-76	Hose, Overflow, .125" x .250" x 24", Plastic, Duro 68A	30	\$4.85
19-0263	27369-76	Hose, Overflow, .125" x .250" x 24", 5 Pack	30	\$21.95
31-0000	24469-83A	Crankcase, Assembly, Stock Bore, bt, Alternator, CPS Machining, Natural, 1984-'91	11	\$1,154.95
31-0003		Crankcase, Assembly, Stock Bore, bt, Alternator, Natural, 1970-'84		\$1,154.95
31-0005	24469-83A	Crankcase, Assembly, Stock Bore, bt, Alternator, CPS Machining, Natural, 1992-'99 BT	11	\$1,154.95
31-0008	24519-55, 24519-58, 24519-63	Crankcase, Assembly, Stock Bore, bt, 2B Generator, Natural, 1948-'64	34	\$1,594.95
31-0010	24519-65	Crankcase, Assembly, Stock Bore, bt, 2B Generator, Natural, 1965-'69	34	\$1,594.95
31-0052	34473-85A	Crankcase, Assembly, Stock Bore, bt, Alternator, Wrinkle Black, 1984-'91	11	\$1,279.95
31-0055	24569-95	Crankcase, Assembly, Stock Bore, bt, Alternator, CPS Machining, Wrinkle Black, 1992-'99	11	\$1,279.95
31-0172		Crankcase, Assembly, Stock Bore, bt, Alternator, Wrinkle Black, 1999-2006 except 2006 DynaT		\$1,759.95
31-0224	32606-82	Screw, Timing Mechanism, Steel	13,28	\$3.25
31-0224P	32606-82	Screw, Timing Mechanism, Steel, 2 Pack	13,28	\$5.75
31-0225	32591-70 32591-80	Gasket, Ignition Cover, 1970-'99 bt	13,28	\$1.00
31-0240	25216-58	Gearcover, Kit, Generator, Bushing Style, Stock Style Case, Natural, Cast, 1954-'69 bt	32	\$207.95
31-0260	32591-70 32591-80	Gasket, Ignition Cover, 1970-'99 bt, 10 Pack	13,28	\$7.20
31-0335		Gearcover, Kit, Alternator, Billet Ignition Cover, Polished, Billet, 1973-'92 bt		\$449.95
31-0336		Gearcover, Kit, Alternator, Flangeless, Billet Ignition Cover, Polished, Billet, 1993-'99 bt		\$449.95
31-0424		Installation Kit, Oil Supply Line, 2001-'05 bt		\$335.95
31-0425		Installation Kit, Oil Supply Line, Crankcase, 1999-2006 bt except DynaT		\$105.95
31-1008		Crankcase, Assembly, Stock Bore, xl/Buell™, Natural, 1991-2003		\$2,769.95
31-1013		Crankcase, Assembly, Stock Bore, xl/Buell™, SA, Natural, 1986-'90		\$2,769.95
31-2003	3506	Stud, Crankcase Alignment, 5/16-24 UNF x 5.750", Zinc, Steel	11,27,34	\$5.70
31-2005	720	Plug, Timing, Threaded, 5/8-18 UNF-2A x .545", Zinc, Steel	19	\$3.85
31-2010	24981-70	Screen, Crankcase Oil	11,27,34	\$4.60
31-2011-S	24982-70	Spring, Crankcase Oil Screen, .040" Wire, .340" x .420" x 1.375", Music Wire, 1970-'99 bt	11,27,34	\$1.20
31-2016	26661-84	Switch, Assembly, Oil Pressure, 1984-'99 bt	11	\$10.65
31-2017	24795-48	Spacer, Front, Motor Mount, 1948-'65 OHV bt	34,38	\$26.95
31-2018	63533-15	Fitting, Pipe, Straight, 9/16-24 UNEF-2A x 1/8-27 NPT, Zinc, Brass	34	\$4.40
31-2019	63533-65	Fitting, Pipe, Straight, 1/8-27 NPTF x .420" x 3.110", Zinc, Steel	34	\$8.50
31-2021	62484-81	Fitting, Pipe, Straight, 1/8-27 NPTF x 7/16-24 UNS-2A x	27,34	\$5.30
31-2025B	22307-99	Jet, Assembly, Piston Cooling, 1999-up bt	5	\$26.95
31-2026	22371-99	Jet, Kit, Piston Cooling, 4-1/8" 1984-'99 bt, 1999-up bt, 2 Pack	5	\$48.95
31-2030	25225-36A	Gearcover Gasket, 1936-'64 BT	32	\$3.35
31-2032-S	25244-99A	Gasket, Gearcover, Black, Paper, 1999-up bt	6	\$6.35
31-2034		Stud, Crankcase Alignment, 5/16-24 UNF x 6.050", Zinc, Steel		\$6.00
31-2037	25856-36	Shaft, Circuit Breaker Drive Gear, 1936-'69 bt	28,32,34	\$21.95

S&S [®] Part Number	H-D [®] Part Number	Description	Page No.	MSRP
31-2039	25791-36	Shaft, Idler Gear, .5556" x 1.8760", AISI 8620H, 1936-'69 bt	28,32,34	\$11.65
31-2048	16240-82	Nut, Motor Mount, Press-In, HH, 3/8-24 2B x .785", Steel, xl	19	\$10.50
31-2050	29950-91	Cover, Stator Wire, 1991-2003 xl	19	\$3.30
31-2052	25263-90C	Gasket, Gearcover, S&S' Cover, 1986-2003 xl	20	\$3.65
31-2058	24982-70	Spring, Crankcase Oil Screen, 1948-up bt, 10 Pack	11,27,34	\$10.70
31-2063	25244-99A	Gasket, Gearcover, 1999-up bt, 10 Pack	6	\$57.95
31-2107	25225-70A/B 25225-93B	Gasket, Gearcover, Undersized Profile, 1970-'99 bt	13,28	\$2.75
31-2321	16837-85C	Stud, Cylinder Base, 3/8-16 UNC x 6.680", 1984-'99 bt, 8 Pack	8,11,34	\$31.95
31-2321-S	16837-85C	Stud, Cylinder Base, 6.68", Black Oxide, 1984-'99 bt	8,11,34	\$4.40
31-2324	16837-78	Stud, Cylinder Base, 7/16-14 ONF, 7/16-20 UNF x 2.3, Black, Steel, 1936-'84 bt, 8 Pack	22	\$107.95
31-2324-S	16837-78	Stud, Cylinder Base, 7/16-14 ONF, 7/16-20 UNF x 2.3, Black, Steel	22	\$22.95
31-2325-S	16834-99A	Stud, Cylinder Base, 3/8-16 UNC x 6.070", Black, Steel	3	\$5.50
31-2328	16831-30 16837-30	Stud, Cylinder Base, 7/16-14 UNC, 7/16-20 UNF x 2.0, Zinc, Steel, 1936-'84 bt, 8 Pack	22,27,36	\$31.95
31-2328-S	16831-30 16837-30	Stud, Cylinder Base, 7/16-14 UNC, 7/16-20 UNF x 2.0, Zinc, Steel	22,27,36	\$4.40
31-2331	16832-86C	Stud, Cylinder Base, 3/8-16 UNC x 5.760", 1986-2003 xl, 8 Pack	16	\$37.95
31-2331-S	16832-86C	Stud, Cylinder Base, 3/8-16 UNC x 5.760"	16	\$5.20
31-2340	16834-99A	Stud, Cylinder Base, 3/8-16 UNC x 6.070", Black, Steel, 1999-up bt, 8 Pack	3	\$39.95
31-4004	24599-58A/B 24599-93	Race, Right, Main Bearing, Standard, 1958-'99 bt	11,27,34	\$63.95
31-4005	24626-87A	Bearing, Assembly, Right, Main, Small/Medium, White, 1958-'99 bt	11,27	\$31.95
31-4007	24601-58B	Race, Right, Main Bearing, +.005"	11,27,34	\$63.95
31-4008	24641-36	Bushing, Drive Shaft, Oil Pump, Stepped, .424" x .533" x 2.540", Bronze, 1936-up bt	28,32,34	\$11.65
31-4009	9058	Bearing, Assembly, Needle, Cam	11,27,28, 32,34	\$8.30
31-4010	12026B	Seal, Left, Main Bearing, 1.750" x 2.507" x .3130", 1970-up bt	11,27	\$4.00
31-4011	24002-70	Spacer, Sprocket Shaft, 70-up BT (HD#24002-70)	11,27	\$27.95
31-4013	9028	Bearing, Assembly, Left, Main	5,11,27	\$55.95
31-4014		Spacer, Drive Sprocket, Fatigue Proof, 1936-'64 bt		\$44.95
31-4016	24628-87A	Bearing, Assembly, Right, Main, Small, Green, 1958-'99 bt	11,27	\$33.95
31-4017	24641-87A	Bearing, Assembly, Right, Main, Large, Red, 1958-'99 bt	11,27	\$33.95
31-4018	24643-87A	Bearing, Assembly, Right, Main, Medium/Large, Blue, 1958-'99 bt	11,27	\$33.95
31-4019	22581-70	Bushing, Cam, Bronze, 1973-'92 bt	13	\$9.95
31-4020	25582-54A	Bushing, Pinion Shaft, Bronze, 1954-'72 bt	28,32	\$10.50
31-4022	83162-51	Seal, Gearcover Cam, 1" x 1.441" x .250", 1970-up bt	13,28	\$3.65
31-4025	25581-36	Bushing, Cam, Bronze, 1936-'69 bt	28,32	\$14.40
31-4028		Race, Right, Main Bearing, +.025", 1958-'99 bt		\$63.95
31-4030		Race, Right, Main Bearing, +.030", 1958-'99 bt		\$61.95
31-4031	25582-93	Bushing, Pinion Shaft, Bronze, 1973-'92 bt	13	\$10.50
31-4033	24008-97	Spacer, Drive Sprocket, 45A Charging System, 1.131" x 1.730" x .325", Fatigue Proof, 1970-'99 bt	11	\$15.50
31-4035	12068	Seal, Left, Main Bearing, 1999-up bt	5	\$14.40
31-4036-S	25588-57	Bushing, Cam, #2, Bronze, 1957-up xl	13	\$19.95
31-4037-S	25586-37	Bushing, Cam, #1/3/4, Bronze, 1957-up xl	19,20	\$21.95
31-4050	8881	Race, Right, Main Bearing, Standard, 1987-2003 xl	19	\$26.95

S&S [®] Part Number	H-D [®] Part Number	Description	Page No.	MSRP
31-4051	11124	Seal, Gearcover Cam, 1.125" x 1.561" x .250", 1971-up xl	20	\$7.90
31-4055	24647-87	Bearing, Assembly, Right, Main, Blue	19	\$22.95
31-4056	24650-87	Bearing, Assembly, Right, Main, Red	19	\$22.95
31-4057	24659-87	Bearing, Assembly, Right, Main, White	19	\$22.95
31-4058	24660-87	Bearing, Assembly, Right, Main, Green	19	\$22.95
31-4059	24729-74	Bearing, Assembly, Left, Main, 1974-up xl	19	\$53.95
31-4060	35151-74A	Seal, Left, Main Bearing, 1.500" x 2" x .313", 1974-up xl	19	\$9.65
31-4071	9124	Spacer, Left, Main Bearing, .100", Steel, 1969-'99 bt	11,27	\$6.65
31-4072	9125	Spacer, Left, Main Bearing, .102", Steel, 1969-'99 bt	11,27	\$6.65
31-4073	9126	Spacer, Left, Main Bearing, .104", Steel, 1969-'99 bt	11,27	\$6.65
31-4074	9127	Spacer, Left, Main Bearing, .106", Steel, 1969-'99 bt	11,27	\$6.65
31-4075	9128	Spacer, Left, Main Bearing, .108", Steel, 1969-'99 bt	11,27	\$6.65
31-4076	9134	Spacer, Left, Main Bearing, .120", Steel, 1969-'99 bt	11,27	\$6.65
31-4080	9198	Bearing, Assembly, Inner, Needle, Cam, .875" x 1.125" x .500", 1999-2006 bt except 2006 DynaT	5,6	\$8.50
31-4085	24604-00D	Bearing, Right, Main, S&S' Crankcases 1999-'06 bt, 2000-up Bal bt, 2003-up NB bt	5	\$50.95
31-4101	63810-80	Filter, Oil, SB, SH & V-Series, Black	11,27	\$11.65
31-4102	63796-77A	Filter, Oil, SB, SH & V-Series, Chrome	11,27	\$14.40
31-4103	63731-99A	Filter, Oil, T-Series & T, Black	5	\$11.65
31-4104	63798-99A	Filter, Oil, T-Series & T, Chrome	5	\$14.40
31-4199-S	9215	Bearing, Inner, Needle, Cam	5,6	\$14.80
31-4499	9215	Bearing, Assembly, Inner, Needle, Cam, 2006-up bt, 2 Pack	5,6	\$26.95
31-6004	26327-68	Shaft, Idler, .4243" x 1.3350", Cold Drawn Steel, AISI 1215, 1968-'99 bt	14,25	\$8.85
31-6005	26227-58	Seal, Oil Pump Drive Shaft, 1968-up bt	14,25	\$3.30
31-6011	26346-70	Shaft, Drive, Oil Pump, .4223" x 4.650", Cold Drawn Steel, AISI 1146, 1968-'99 bt	14,25, 28,32	\$15.50
31-6013	26315-68A	Gear, Return Drive, 1968-'99 bt	14,25	\$18.80
31-6014	26317-68A	Gear, Return Idler, 1968-'99 bt	14,25	\$18.80
31-6015	26328-74	Gear, Supply Drive, 1936-up bt	14,25	\$17.75
31-6016	26326-62A	Gear, Supply Idler, 1936-up bt	14,25	\$17.75
31-6018	26207-83	Spring, Relief Valve, .040" Wire, .242" x .324" x 2.32", ASTM A-229, 1936-'99 bt	14,25	\$1.30
31-6021	26263-80	Screw, Oil Pump/Check Valve/Relief Va, Zinc, Steel	11,14,25, 27,34	\$4.40
31-6022	26262-80	Spring, Check Valve, .020" Wire, .265" x .319" x 1.940", Music Wire, 1936-'99 bt	14,25	\$1.35
31-6026	63614-72	Screw, Chain Oiler, Zinc, Steel	25	\$4.40
31-6082	26400-82	Valve, Pressure Relief, Oil Pump, 1984-'99 bt	14,25	\$6.65
31-6084	26207-83	Spring, Relief Valve, 1936-'99 bt, 10 Pack	14,25	\$11.75
31-6092	26262-80	Spring, Check Valve, 1936-'99 bt, 10 Pack	14,25	\$12.15
31-6203	26190-73	Oil Pump, Kit, Universal, Polished, Billet, 1970-'91 bt	25	\$327.95
31-6283		Hardware Kit, Oil Pump Cover, Billet, 1936-'91 bt		\$26.95
31-6288		Hardware Kit, Oil Pump Mounting, Billet, 1936-up bt		\$11.30
31-6291		Hardware Kit, Chain Oiler, 1936-'91 bt		\$6.05
31-6295		Oil Pump, Kit, Universal, w/ Gears, Polished, Billet, 1978-'91 bt		\$455.95
31-6296		Oil Pump, Kit, w/ Gears, Pre-1989 Pinion Shaft, Polished, Billet, 1992-'99 bt This is listed as a Pre 89' pinion shaft because SS&SS on		\$455.95
31-6510		Bracket, Assembly, Oil Filter, Polished, 1999-up bt		\$144.95
31-6516		Cover, Cam Chest, Polished, 1999-up bt		\$369.95
31-7002	83162-51	Seal, Gearcover Cam, 1970-up bt, 5 Pack	13,28	\$16.65
31-7005	26263-80	Screw, Oil Pump/Check Valve/Relief Va, Chrome, Steel, 5 Pack	11,14,25, 27,34	\$19.95
31-7008		Screen, Crankcase Oil, 5 Pack		\$20.95

Parts for
Twin Cam 88[®], 96[®], 103[™]

Parts for
Evolution[®]

Parts for
Sportster[®]

Parts for
Snowblades

Parts for
Panheads

Parts for
Knuckleheads

Parts for
Flatheads

Index
Cross Reference

S&S to OEM Cross Reference Chart

Parts for
Twin Cam 88^{cc}, 96^{cc}, 103^{cc}
Evolution[®]
Sportster[®]
Shovelheads
Panheads
Knuckleheads
Flatheads
Index
Cross Reference

S&S [®] Part Number	H-D [®] Part Number	Description	Page No.	MSRP
32-2014	23906-74	Flywheel, Set, 3-31/32" Stroke, 8-1/2" Diameter, Special Order, 1936-'99 bt	26	\$430.95
32-2019	6506	Washer, Flywheel, Thrust, w/ 1.250" Crankpin, 1.415" x 2.329" x .065", Phosphor Bronze	10,26,31	\$22.95
32-2050	23906-78B/D	Flywheel, Set, 4-1/4" Stroke, 8-1/2" Diameter, Special Order, 1936-'99 bt	26	\$430.95
32-2145	23941-95	Flywheel, Assembly, 4-1/4" Stroke, 8-1/2" Diameter, Notched, Balanced, 1995-'98 bt	10	\$1,134.95
32-2239	23906-87A 23906-90 23906-93B	Flywheel, Assembly, 4-1/4" Stroke, 8-1/2" Diameter, Balanced, 1984-'99 bt	10	\$1,134.95
32-2241	23971-03	Flywheel, Assembly, 4" Stroke, 8-1/4" Diameter, Notched, Balanced, 1999-2006 bt w/ Balancer	5	\$1,249.95
32-2293	23957-99B	Flywheel, Assembly, 4" Stroke, 8-1/4" Diameter, Balanced, 2006 DynaI, 2007-up bt	5	\$1,299.95
32-2310	23729-07B	Flywheel, Assembly, 4-3/8" Stroke, 8-1/4" Diameter, Balanced, 2006 DynaI, 2007-up bt	5	\$1,299.95
32-2311	23912-07B	Flywheel, Assembly, 4-3/8" Stroke, 8-1/4" Diameter, Balanced, 2007-up bt w/ Balancer	5	\$1,299.95
32-3013	23925-37	Flywheel, 3-13/16" Stroke, 7-7/8" Diameter, WR/KR	40	\$545.95
33-1000		Shim, +.100", Steel, 5 Pack		\$17.15
33-1001	25320-79	Shim, +.110", Steel, 5 Pack	28,32	\$17.15
33-1002	25322-79	Shim, Breather Gear, .120", Steel, 5 Pack	28,32	\$17.15
33-1004	25322-82 25327-79	Shim, +.140", Steel, 5 Pack	14,28,32	\$17.15
33-1005	25325-82	Shim, +.150", Steel, 5 Pack	14	\$17.15
33-1006	25327-82	Shim, +.160", Steel, 5 Pack	14	\$17.15
33-1007	25550-36	Washer, Cam, Thrust, .820" x 1.060" x .050", Steel, 5 Pack	13,28,32,34	\$27.95
33-1008	25551-36	Washer, Cam, Thrust, .820" x 1.060" x .055", Steel, 5 Pack	28,32	\$27.95
33-1009	25552-36	Washer, Cam, Thrust, .820" x 1.060" x .060", Steel, 5 Pack	28,32	\$27.95
33-1010	25553-36	Washer, Cam, Thrust, .820" x 1.060" x .065", Steel, 5 Pack	28,32	\$27.95
33-1011	25554-36	Washer, Cam, Thrust, .820" x 1.060" x .070", Steel, 5 Pack	28,32	\$27.95
33-1012	25555-36	Washer, Cam, Thrust, .820" x 1.060" x .075", Steel, 5 Pack	28,32	\$27.95
33-1013	25556-36	Washer, Cam, Thrust, .820" x 1.060" x .080", Steel, 5 Pack	28,32	\$57.95
33-1014	25558-36	Washer, Cam, Thrust, .820" x 1.060" x .090", Steel, 5 Pack	28,32	\$57.95
33-2001	24001-30	Sprocket Shaft, Assembly, 1936-'54 bt	40	\$132.95
33-2003		Sprocket Shaft, Assembly, 1965-'69 bt		\$132.95
33-2004		Sprocket Shaft, Assembly, 1970-'99 bt		\$108.95
33-2021	24007-39	Pinion Shaft, Assembly, Tapered, Standard, 1939-'53 bt	31	\$125.95
33-2024	24006-54A 24006-73	Pinion Shaft, Assembly, Tapered, Standard, 1958-'81 bt	31	\$129.95
33-2027		Pinion Shaft, Assembly, Tapered, S&S [®] Flywheels, Standard, L1981-'99 bt		\$129.95
33-2028		Pinion Shaft, Assembly, Tapered, S&S [®] Flywheels, +.001", L1981-'99 bt		\$182.95
33-2321	24005-57	Pinion Shaft, Assembly, Tapered, Standard, 1957-'76 xl	18	\$201.95
33-2322		Pinion Shaft, Assembly, Tapered, Standard, 1977-'81 xl		\$213.95
33-2323	24005-80	Pinion Shaft, Assembly, Tapered, Standard, L1981-'85 xl	18	\$176.95
33-2356	24005-37	Pinion Shaft, Assembly, Tapered, Standard, 1937-'43 bt	40	\$241.95
33-4121		Gear, Pinion, Orange, 1954-E77 bt		\$95.95

S&S [®] Part Number	H-D [®] Part Number	Description	Page No.	MSRP
33-4122		Gear, Pinion, Black, 1954-E77 bt		\$95.95
33-4123		Gear, Pinion, Red, 1954-E77 bt		\$95.95
33-4124		Gear, Pinion, Blue, 1954-E77 bt		\$95.95
33-4125	24010-54	Gear, Pinion, Green, 1954-E77 bt	28,32	\$95.95
33-4126		Gear, Pinion, White, 1954-E77 bt		\$95.95
33-4127		Gear, Pinion, Brown, 1954-E77 bt		\$95.95
33-4128		Gear, Pinion, Yellow, 1954-E77 bt		\$95.95
33-4141	24040-78	Gear, Pinion, Orange, L1977-'89 bt	13,28	\$83.95
33-4142	24041-78	Gear, Pinion, White, L1977-'89 bt	13,28	\$83.95
33-4143	24042-78	Gear, Pinion, Yellow, L1977-'89 bt	13,28	\$83.95
33-4144	24043-78	Gear, Pinion, Red, L1977-'89 bt	13,28	\$83.95
33-4145	24044-78	Gear, Pinion, Blue, L1977-'89 bt	13,28	\$83.95
33-4146	24045-78	Gear, Pinion, Green, L1977-'89 bt	13,28	\$83.95
33-4147	24046-78	Gear, Pinion, Black, L1977-'89 bt	13,28	\$83.95
33-4152	24056-86	Gear, Pinion, Blue, 1986-'87 xl	18	\$125.95
33-4153	24057-86	Gear, Pinion, Red, 1986-'87 xl	18	\$125.95
33-4154	24058-86	Gear, Pinion, White, 1986-'87 xl	18	\$125.95
33-4155	24059-86	Gear, Pinion, Green, 1986-'87 xl	18	\$125.95
33-4156	24060-86	Gear, Pinion, Yellow, 1986-'87 xl	18	\$125.95
33-4162	24056-91	Gear, Pinion, Blue, 1991-'99 xl	18	\$133.95
33-4163	24057-91	Gear, Pinion, Red, 1991-'99 xl	18	\$133.95
33-4164	24058-91	Gear, Pinion, White, 1991-'99 xl	18	\$133.95
33-4165	24059-91	Gear, Pinion, Green, 1991-'99 xl	18	\$133.95
33-4166	24060-91	Gear, Pinion, Yellow, 1991-'99 xl	18	\$133.95
33-4200		Shim, Breather Gear, .325" x .740" x .100", Steel		\$3.75
33-4201	25320-79	Shim, Breather Gear, .325" x .740" x .110", Steel	28,32	\$3.75
33-4202	25322-79	Shim, Breather Gear, .325" x .740" x .120", Steel	28,32	\$3.75
33-4203	25320-82 25325-79	Shim, Breather Gear, .325" x .740" x .130", Steel	14,28,32	\$3.10
33-4204	25322-82 25327-79	Shim, Breather Gear, .325" x .740" x .140", Steel	14,28,32	\$3.75
33-4205	25325-82	Shim, Breather Gear, .325" x .740" x .150", Steel	14	\$3.75
33-4206	25327-82	Shim, Breather Gear, .325" x .740" x .160", Steel	14	\$3.75
33-4207		Shim, Breather Gear, .325" x .740" x .170", Steel		\$2.60
33-4215	25850-36A	Gear, Assembly, Circuit Breaker, 1936-'69 bt	28,32	\$224.95
33-4216	25775-36	Gear, Idler, 1936-'69 bt	28,32	\$134.95
33-4217	32531-36	Gear, Circuit Breaker, 1936-'69 bt	28,32	\$48.95
33-4221		Shim, Circuit Breaker/Idler Gear, .050"		\$4.40
33-4222		Shim, Circuit Breaker/Idler Gear, .054"		\$4.40
33-4223		Shim, Circuit Breaker/Idler Gear, .058"		\$4.40
33-4224		Shim, Circuit Breaker/Idler Gear, .062"		\$4.40
33-4225		Shim, Circuit Breaker/Idler Gear, .066"		\$4.40
33-4228	26318-75	Gear, Pinion, Oil Pump Drive, 1977-'87 xl	18	\$79.95
33-4230	26345-73	Gear, Pinion, Oil Pump Drive, 24 Tooth, 1936-'69 bt	14,28,32	\$26.95
33-4232	26349-73	Gear, Pinion, Oil Pump Drive, 6 Tooth, 1954-'89 bt	28,32	\$37.95
33-4241	25310-82A 25313-77B	Gear, Breather, L1977-'99 bt	14,28	\$85.95
33-4242		Gear, Breather, +.030", L1977-'99 bt		\$85.95
33-4244	24023-54	Nut, Pinion Gear, 5/8-24 UNEF-3B LH x .375", Black, Steel, 4140	13,28,32	\$7.20
33-4246	25313-73	Gear, Breather, 1948-E77 bt	28	\$97.95
33-4247		Gear, Breather, +.030", 1948-E77 bt		\$97.95
33-4249		Shim, Kit, .100" - .170", Steel, 8 Pack		\$21.95
33-4253		Gear, Kit, Breather, 1948-E77 bt		\$119.95
33-4263		Gear, Kit, Breather, +.030", 1948-E77 bt		\$119.95
33-4289	24703-54B	Spacer, Oil Pump Drive Gear, .740" x .900" x .320", Black, Steel, 1954-'89 bt	13	\$4.40
33-5062		Camshaft, 450S, 1948-'69 bt		\$192.95
33-5200	25550-36	Washer, Cam, Thrust, .820" x 1.060" x .050", Steel	13,28,32,34	\$6.15

S&S [®] Part Number	H-D [®] Part Number	Description	Page No.	MSRP
33-5201	25550-57A	Washer, Cam, Lock, .062", Steel, 1958 - 99 bt	13	\$4.65
33-5202	25551-36	Washer, Cam, Thrust, .820" x 1.060" x .055", Steel	28,32	\$6.15
33-5203	25552-36	Washer, Cam, Thrust, .820" x 1.060" x .060", Steel	28,32	\$6.15
33-5204	25553-36	Washer, Cam, Thrust, .820" x 1.060" x .065", Steel	28,32	\$6.15
33-5205	25554-36	Washer, Cam, Thrust, .820" x 1.060" x .070", Steel	28,32	\$6.15
33-5206	25555-36	Washer, Cam, Thrust, .820" x 1.060" x .075", Steel	28,32	\$6.15
33-5207	25556-36	Washer, Cam, Thrust, .820" x 1.060" x .080", Steel	28,32	\$12.75
33-5209	25558-36	Washer, Cam, Thrust, .820" x 1.060" x .090", Steel	28,32	\$12.75
33-5210		Washer, Cam, Thrust, Double, .062", Steel		\$64.95
33-5213	25550-57A	Washer, Cam, Lock, .062", Steel, 5 Pack	13	\$26.95
33-5302	18633-48	Gasket, Set, Tappet Guide, 1948-'99 bt	9,34	\$4.85
33-5302F	18634-48C	Gasket, Front, Tappet Guide, 1948-'99 bt	9,34	\$1.30
33-5302R	18633-48D	Gasket, Rear, Tappet Guide, 1948-'99 bt	9,34	\$1.30
33-5303-2	18635-99B	Gasket, Set, Tappet Cover, 1999-up bt	4	\$3.00
33-5303-S	18635-99B	Gasket, Tappet Cover, 1999-up bt	4	\$1.25
33-5313		Gasket, Set, Tappet Guide, 1948-'99 bt, 10 Pack		\$43.95
33-5313F	18634-48C	Gasket, Front, Tappet Guide, 1948-'69 bt, 10 Pack	9,34	\$11.65
33-5313R	18633-48D	Gasket, Rear, Tappet Guide, 1948-'99 bt, 10 Pack	9,34	\$11.65
33-5332	18555-36	Screw, Pushrod Adjustment, Black, Steel, 1936-'84 bt	36	\$6.65
33-5350	18538-99A/B	Tappet, Set, Hydraulic, 1999-up bt	4,17	\$259.95
33-5352	18523-86A	Tappet, Set, Hydraulic, 1984-'99 bt, 1986-'90 xl	9	\$266.95
33-5375		Tappet Guide, Set, Stock Style, Natural, Billet, 1986-'90 xl		\$277.95
33-5601		Tappet Cover, Set, Stock Style, Polished, Billet, 1999-up bt		\$189.95
33-5615	18635-99B	Gasket, Tappet Cover, 1999-up bt, 10 Pack	4	\$11.30
34-2003		Crankpin, Assembly, Tapered, 1.249", 1941-'81 bt		\$114.95
34-2102	23961-80A	Crankpin, Assembly, Tapered, 1.249", 1981-up bt	10	\$114.95
34-2104	23969-83	Nut, HH, 1-20 UNEF-3B x .346", Black, Steel, 4140	10	\$5.50
34-2503		Crankpin, Assembly, Tapered, 1.249", 1957-'81 xl		\$114.95
34-2602		Crankpin, Assembly, Tapered, 1981-'99 xl		\$114.95
34-4005	24356-36A	Race, Front, Connecting Rod, 1941-'99 bt	10,26,31	\$18.80
34-4006	24345-36A	Race, Rear, Connecting Rod, 1941-'99 bt	10,26,31	\$14.40
34-4007	24334-36	Bushing, Wristpin, .767" x .895" x 1.077", Bronze, 1941-'99 bt	10,26,31	\$3.85
34-4010	24346-87A 24385-40B	Bearing, Assembly, Connecting Rod, 1.25", 1941-'99 bt	10,26,31	\$53.95
34-4020		Bearing Cage, Set, Connecting Rod, 1.25", Alloy, bt		\$34.95
34-4033	9186	Bearing, Front, Rod, Standard, Alloy	26,31	\$1.00
34-4034	9441A	Bearing, Rear, Rod, Standard, Alloy	26,31	\$1.00
34-4040		Rebuild Kit, Connecting Rod, Race & Bushing, 1941-'99 bt		\$52.95
34-4505		Race, Front, Connecting Rod, 1957-'99 xl		\$20.95
34-4506		Race, Rear, Connecting Rod, 1957-'99 xl		\$16.60
34-4507	24331-36	Bushing, Wristpin, .767" x .895" x .950", Bronze, 1954-up xl	18	\$3.85
34-4520		Bearing Cage, Set, Connecting Rod, Alloy, 1954-up xl		\$28.95
34-4540		Rebuild Kit, Connecting Rod, Race & Bushing, xl		\$59.95
34-7004		Connecting Rod, Set, Heavy Duty, IBC, .791" WP, 7.440", 1941- E'81 bt		\$399.95
34-7011		Connecting Rod, Set, Heavy Duty, IBC, .791" WP, 7.440", L1981-'84 bt		\$399.95
34-7013	24281-83	Connecting Rod, Set, Heavy Duty, IBC, .792" WP, 7.440", 1984-'99 bt	10	\$399.95
34-7500		Connecting Rod, Set, Heavy Duty, ABC, .791" WP, 7.440", 1957-E'81 xl		\$421.95
34-7510		Connecting Rod, Set, Heavy Duty, ABC, .791" WP, 7.440", L1981-'85 xl		\$421.95

S&S [®] Part Number	H-D [®] Part Number	Description	Page No.	MSRP
34-7710		Connecting Rod, Set, Supreme, ABC, Stock Bore, .791" WP, 7.440", 1957-E'81 xl		\$543.95
34-7730		Connecting Rod, Set, Supreme, ABC, Stock Bore, .791" WP, 7.440", L1981-'85 xl		\$482.95
34-7803		Connecting Rod, Set, Heavy Duty, ABC, .791" WP, 6.926", 1983-'84 xl		\$498.95
4-0031		Pushrod, Set, Timesaver, Stock, Steel, 1999-up bt. Thread pitch 9mm x 1.0 thrs - class 6g		\$159.95
50-0012	1430	Screw, SHCS, 1/4-20 x 3-1/4", Zinc, ASTM A574-92A	28,32	\$1.55
50-0013	25794-36	Screw, SHCS, 1/4-20 x 2", Zinc, ASTM A574-92A	28,32	\$1.20
50-0014	3728	Screw, HHCS, 1/4-20 x 1/2", Zinc, Steel	34	\$0.25
50-0015	2759	Screw, SLTD RH, 1/4-20 x 1/2", Zinc, Steel	34	\$0.25
50-0018	2551W	Screw, HHCS, 1/4-20 x 1", Zinc, Steel	34	\$1.00
50-0023	4091	Screw, SHCS, 10-24 x 3/8", Chrome, Steel	19	\$1.60
50-0024		Screw, SHCS, w/ Thread Lock, 1/4-20 x 3/16", Zinc, ASTM F912-1986		\$1.05
50-0024P		Screw, SHCS, w/ Thread Lock, 1/4-20 x 3/16", Zinc, ASTM F912-1987, 2 Pack		\$3.60
50-0054-S	68042-99	Screw, Torx Panhead, 8-32 x 3/8", Zinc, Steel	5	\$0.35
50-0069		Screw, SHS, Gr5, 1/4-20 x 1/4", Black, ASTM F912-1986		\$1.00
50-0069P		Screw, SHS, Gr5, 1/4-20 x 1/4", Black, ASTM F912-1987, 2 Pack		\$1.00
50-0072	1305	Screw, PH, 1/4-20 x 1", Nickel, Stainless Steel	28	\$1.00
50-0078		Screw, SHCS, 1/4-20 x 2-1/4", Zinc, ASTM A574-92A		\$0.65
50-0079		Screw, SHCS, 1/4-20 x 1-1/2", Zinc, ASTM A574-92A		\$0.40
50-0080	2872W	Screw, HHC, Gr5, 1/4-20 x 1-1/2", Zinc, Steel	14,25	\$0.25
50-0082		Screw, HHC, Gr5, 1/4-24 x 1-1/2", Zinc, Steel		\$2.05
50-0084	4741A	Screw, SHCS, 1/4-20 x 1", Zinc, ASTM A574-92A	4,6	\$1.00
50-0088	5430W	Screw, SHC, 1/4-24 x 2-1/4", Zinc, ASTM A574-92A	14	\$2.65
50-0090		Screw, HHC, Gr8, 1/4-28 x 5-1/2", Zinc, Steel		\$1.90
50-0092-S	4741A	Screw, SHCS, w/ Flat Washer, 1/4-20 x 1", Zinc, ASTM A574-92A	4,6	\$1.25
50-0092P	4741A	Screw, SHCS, w/ Flat Washer, 1/4-20 x 1", Zinc, ASTM A574-92A, 4 Pack	4,6	\$3.55
50-0094	1305	Screw, PH, 1/4-20 x 1", 10 Pack	28	\$6.65
50-0100	25566-06	Screw, HHC, Flanged, Gr8, 5/16-18 x 3/4", Black, Steel	6	\$0.95
50-0101	3201WA	Screw, SHC, 5/16-18 x 1", Zinc, ASTM A574-92A	15,21	\$0.55
50-0108	3987 4017	Bolt, Hex Head, Gr5, 5/16-18 x 1", Zinc	15	\$0.40
50-0119	3430	Screw, HHC, Gr8, 5/16-24 x 5", Zinc, Steel	11,27,34	\$1.55
50-0126		Screw, HHCS, 1/4-28 x 5-1/2", 5 Pack		\$8.60
50-0143		Screw, HHCS, 1/4-24 x 1/2", 10 Pack		\$18.80
50-0154	4741A	Screw, SHCS, w/ Washer, 1/4-20 x 1", 10 Pack	4,6	\$11.30
50-0176	4726	Screw, HHC, 7/16-20 x 1-1/4"	22	\$1.00
50-0187	5430W	Screw, SHCS, 1/4-24 x 2-1/4", 5 Pack	14	\$12.15
50-0238		Screw, SHS, 1/4-20 x 1/4", 10 Pack		\$8.60
50-0244	4741A	Screw, SHCS, 1/4-20 x 1", 10 Pack	4,6	\$5.35
50-0246-S	3750 3770	Screw, 12 pt, 1/4-20 x 7/8", Chrome, Steel	9,24	\$2.45
50-0246P	3750 3770	Screw, 12 pt, 1/4-20 x 7/8", Chrome, Steel, 4 Pack	9,24	\$8.95
50-0257-S	4741	Screw, SHCS, 1/4-20 x 1-1/4", Chrome, ASTM A574-92A	6	\$1.85
50-0270	2551W	Screw, HHCS, 1/4-20 x 1", 10 Pack	34	\$3.20
50-0310	902	Screw, PHIL/OH, 1/4-20 x 1", Black, 3 Pack	28	\$8.60
50-0310-S	902	Screw, PH, 1/4-20 x 1", Black, Stainless Steel	28	\$3.15
50-0334	905	Screw, FLC, 1/4-20 x 1-3/4", 5 Pack	28	\$3.30

Parts for
Twin Cam 88°, 96°, 103™

Parts for
Evolution®

Parts for
Sportster®

Parts for
Snowblades

Parts for
Panheads

Parts for
Knuckleheads

Parts for
Flatheads

Index
Cross Reference

S&S to OEM Cross Reference Chart

Parts for
Twin Cam 88°,96°,103°
Evolution®
Sportster®
Shovelheads
Panheads
Knuckleheads
Flatheads
Index
Cross Reference

S&S® Part Number	H-D® Part Number	Description	Page No.	MSRP
50-0334-S	905	Screw, SFH, 1/4-20 x 1-3/4", Black, Alloy Steel	28	\$1.00
50-0353-S	1601	Screw, FHCS, 8-32 x 1/2", Stainless Steel	13,28	\$1.00
50-0356-S		Screw, HH, 10-24 x 1/2", Zinc, Steel		\$1.00
50-0357-S		Screw, Torx, M3 x 10mm, Zinc, Steel		\$0.55
50-0358-S		Screw, Torx, M4 x 12mm, Zinc, Steel		\$1.00
50-0493	16715-83	Stud, Exhaust Port, 5/16-18, 5/16-24 x 1.910", Zinc, Steel	3,16	\$2.60
50-1004	11177A	Retaining Ring, External, Pinion Bearing, 1.160" x 1.480" x .046", 5 Pack	11,18,19, 27,34	\$5.35
50-1007	26338-68	Fitting, Pipe, 90°, Male/Female, 1/8-27 NPTF x .500", Zinc, Steel, 5 Pack	14,25	\$21.95
50-1009	11218	Key, Woodruff, .125" x .375" x .374", Steel, 5 Pack	10	\$6.65
50-1015	45830-48	Plug, Pipe, 3/4 Taper, 1/8-27 NPTF x .188", Zinc, Steel, 10 Pack	14,25,34	\$4.25
50-1028		Stud, Exhaust Port, 5/16-18 UNC, 5/16-24 UNF x 1.7, Zinc, Steel, 5 Pack		\$11.80
50-1056		Screw, Torx, M4 x 12mm, Zinc, Steel, 10 Pack		\$6.95
50-1057		Washer, Flat, 4mm x 9mm x .9mm, Stainless Steel, 10 Pack		\$11.30
50-5000	7634	Nut, HH, 10-32 UNF-2B x .130", Zinc, Steel	25	\$0.25
50-5011	7675 7676 7683	Nut, HH, 1/4-28 UNC-2B x .226", Zinc, Steel	11,27,34	\$0.25
50-5023	7833	Nut, HH, 5/16-24 UNF-2B x .273", Zinc, Steel	11,27,34	\$0.25
50-5029-S		Nut, HH, 5/16-24 UNF-2B x .273", Chrome, Steel		\$3.75
50-5037	7861	Nut, HH, 3/8-24 UNC-2B x .337", Zinc, Steel	19	\$0.25
50-5045	7825	Nut, Lock, HH, 7/16-20, Steel/Nylon	22	\$0.30
50-7000	7069	Washer, Lock, .200" x .334" x .047", Stainless Steel	25	\$0.25
50-7001	6156	Washer, Flat, .192" x .400" x .035", Brass, 10 Pack	14	\$12.95
50-7008	6156	Washer, Flat, .192" x .400" x .035", Brass	14	\$1.40
50-7013		Washer, Flat, .260" x .425" x .060", Chrome, Steel, 12 Pack		\$5.50
50-7017		Washer, Flat, .260" x .425" x .060", Chrome, Steel		\$1.00
50-7018	63858-49	Washer, Flat, .250" x .625" x .031", Copper	9,17	\$0.25
50-7019	7035 7036	Washer, Lock, .250"	25,34	\$0.25
50-7020	6099	Washer, .261" x .474" x .050", Annealed, Stainless Steel	28	\$1.00
50-7021	6194 6245 6703	Washer, Flat, .281" x .625" x .080", Zinc, Steel	11,25,27 28,34	\$1.00
50-7034	6016 6702	Washer, Flat, .344" x .688" x .065", Zinc, Steel	11,27,34	\$0.25
50-7064	6495HW	Washer, Flat, .469" x .922" x .125", Zinc, Steel	22	\$0.65
50-7074	6194 6245 6703	Washer, Flat, .281" x .625" x .080", Zinc, Steel, 10 Pack	11,25,27, 28,34	\$4.25
50-7076	6099	Washer, Flat, .261" x .474" x .050", Annealed, Stainless Steel, 10 Pack	28	\$3.75
50-7104-S		Washer, Flat, .344" x .688" x .065", Chrome, Steel		\$1.30
50-7131	6762B	Washer, Flat, .715" x .950" x .031", Steel	4,9,24,36	\$1.10
50-7136	6762B	Washer, Flat, .715" x .950" x .031", Steel, 10 Pack	4,9,24,36	\$10.20
50-7145-S		Washer, Flat, 4mm x 9mm x .9mm, Stainless Steel		\$1.25
50-7150	6737	Washer, .903" x 1.053" x .034", Light Oil, Cold Rolled Steel	9	\$0.35
50-7165	18228-36	Valve Keeper, 1936-'84 bt, 8 Pack	22	\$14.95
50-8004		O-ring, (-120), 1" ID x 1.875" OD, "		\$1.85
50-8005	11168A	O-ring, (-022), 1" ID x 1.25" OD, Black, "	17	\$1.20
50-8006	11110	O-ring, (-012), .375" ID x .500" OD, "	17	\$1.00
50-8008	11105 11275	O-ring, (-013), .437" ID x .565" OD, "	3,11,14, 25,27,34	\$1.00
50-8017		Pin, Dowel, .370" x .750", Steel		\$3.85

S&S® Part Number	H-D® Part Number	Description	Page No.	MSRP
50-8018	24754-75	Pin, Dowel, .430" x .499", Steel	19	\$4.40
50-8019	215	Pin, Dowel, .312" x .500", Alloy	19	\$1.05
50-8022	358	Pin, Dowel, .250" x .500", Steel	11,19	\$2.35
50-8022-2	358	Pin, Dowel, .250" x .500", Steel, 2 Pack	11,19	\$4.25
50-8023	16573-83	Pin, Dowel, .557" x .500", Black, Steel	8,16,19,20	\$1.60
50-8032	11140	O-ring, (-014), .500" ID x .625" OD, Nitrile	5	\$1.00
50-8032	11273	O-ring, (-014), .500" ID x .625" OD, Nitrile	5	\$1.00
50-8033	11270	O-ring, (-114), .625" ID x .812" OD, Black, "	4	\$1.40
50-8037	11145A	O-ring, (-118), .875" ID x 1.062" OD, "	4	\$1.00
50-8038	11132A	O-ring, (-115), .687" ID x .875" OD, Black, Nitrile	4	\$1.00
50-8039	11157	O-ring, (-209), .687" ID x .937" OD, "	9,24	\$1.60
50-8039	11190	O-ring, (-209), .687" ID x .937" OD, "	17,24	\$1.60
50-8039	11293	O-ring, (-209), .687" ID x .937" OD, "	4,6	\$1.60
50-8045	11165	O-ring, Quad Seal, (-031), 1.734" x 1.875", Black, Nitrile	12	\$2.20
50-8046	27060-55	O-ring, (-326), 1.625" ID x 2" OD, Black, "	30	\$3.85
50-8048	11256	O-ring, (-155), 3.987" ID x 4.193" OD, "	3	\$4.05
50-8051	11161	Retaining Ring, Internal, 3.734" x .109", Carbon Steel, SAE 1060-1090	6,12,19	\$6.65
50-8052	35038-84	Retaining Ring, Internal, 2.702" x .078", Carbon Steel, SAE 1060-1090	20	\$2.20
50-8053	35021-89	Retaining Ring, Internal, 2.054" x .062", Carbon Steel, SAE 1060-1090	12,20	\$1.65
50-8057	11177A	Retaining Ring, External, Pinion Bearing, 1.160" x 1.480" x .046", Carbon Steel, SAE 1060-1090	11,18,19, 27,34	\$1.20
50-8058	26348-36	Retaining Ring, Oil Pump Drive Shaft, SAE 1060-1090	14,25	\$1.20
50-8059	11002	Retaining Ring, Oil Pump Drive Gear, Carbon Steel, SAE 1060-1090	14,25, 28,32	\$1.00
50-8061	11461	Retaining Ring, External, Tru-arc, .722" x .042", Steel, SAE 1060-1090	6	\$0.45
50-8064-S	11133A	O-ring, Quad Seal, (-119), .937" ID x 1.125" OD, "	24	\$0.85
50-8066	11301	O-ring, (-110), .375" ID x .562" OD, ", 10 Pack	6	\$8.60
50-8066-S	11301	O-ring, (-110), .375" ID x .562" OD, "	6	\$1.00
50-8077	11110	O-ring, (-012), .375" ID x .500" OD, ", 10 Pack	17	\$6.05
50-8078	11105	O-ring, Oil Return, (-013), .437" ID x .565" OD, ", 10 Pack	11,14,25, 27,34	\$7.50
50-8078	11275	O-ring, Oil Return, (-013), .437" ID x .565" OD, ", 10 Pack	3	\$7.50
50-8079		O-ring, (-120), 1" ID x 1.875" OD, ", 10 Pack		\$16.65
50-8080	5226B	Stud, Shifter Shaft, 1/4-20, 1/4-28 x 1.250"	19	\$2.20
50-8084	11733	Stud, 3/8-24 UNF, 7/16-14 ONF x 1.30, Zinc	12	\$3.85
50-8091	8866	Ball, Check Valve, .375", Stainless Steel	14,25	\$0.55
50-8091	8873	Ball, Check Valve, .375", Stainless Steel	12,14	\$0.55
50-8099	11317	Pin, Dowel, .093" x .500"	20	\$0.45
50-8105		Pin, Dowel, .250" x .500", Steel, 5 Pack		\$4.15
50-8106	26348-36	Retaining Ring, External, .382" x .021", 10 Pack	14,25	\$11.05
50-8107	11002	Retaining Ring, External, Tru-arc, .366" x .025", 10 Pack	14,25, 28,32	\$4.40
50-8109	16573-83	Pin, Dowel, .557" x .500", Black, Steel, 10 Pack	8,16,19,20	\$14.50
50-8112		Fitting, Pipe, 45j, 1/8-27 NPTF x 1/8-27 NPTF, Zinc, Brass, CDA 360		\$2.75
50-8113	16302-81	Fitting, Pipe, 45j, 1/4-18 NPTF x .375"	34	\$4.40
50-8115	63533-41A	Fitting, Hose, Straight, 1/8-27 NPTF x .500", Zinc, Steel	19	\$2.20
50-8116		Fitting, Pipe, Straight, 1/16-27 NPTF x 1.175" x .250", Zinc, Steel		\$2.20
50-8120	63523-92	Fitting, Compression, Male/Female, 1/8-27	14	\$6.05
50-8130	11140	O-ring, (-014), .500" ID x .625" OD, Nitrile, 10 Pack	5	\$4.25
50-8130	11273	O-ring, (-014), .500" ID x .625" OD, Nitrile, 10 Pack	5	\$4.25
50-8132	27060-55	O-ring, (-326), 1.625" ID x 2" OD, Black, ", 10 Pack	30	\$34.95

S&S [®] Part Number	H-D [®] Part Number	Description	Page No.	MSRP
50-8148-S	16589-99A	Pin, Dowel, .275" x .397", Steel	5	\$2.75
50-8149-S		O-ring, (-018), .739" ID x .879" OD, "		\$0.70
50-8153	1167A	O-ring, Kit, Tappet Guide, 1986-2003 xl	17	\$13.80
50-8160-S	35114-02	Retaining Ring, Internal, 2.731" x .031" x .158", Steel, SAE 1070-1090	5	\$1.10
50-8171	337	Pin, Dowel, .312" x 1", Steel	12	\$1.65
50-8173	609	Pin, Roll, .392" x .320", Steel	12	\$1.65
50-8175	634	Pin, Roll, .328" x .760", Zinc, Steel	12	\$1.00
50-8177	16595-99A	Pin, Dowel, .437" x .610", Steel	3,5	\$2.15
50-8177-4	16595-99A	Pin, Dowel, 1999-up bt, 4 Pack	3,5	\$7.85
50-8179	16595-99A	Pin, Dowel, .437" x .610", Steel, 10 Pack	3,5	\$20.95
50-8195	18535-99	Pin, Dowel, 1999-up bt, 2 Pack	4	\$3.30
50-8195-S	18535-99	Pin, Dowel, .250" x .750", Alloy	4	\$1.80
50-8200	11157	O-ring, (-209), .687" ID x .937" OD, ", 5 Pack	9,24	\$4.25
50-8200	11293	O-ring, (-209), .687" ID x .937" OD, ", 5 Pack	4,6	\$4.25
50-8220-S	26348-15	Key, Woodruff, .094" x .313" x .311", Steel	14,25, 28,32	\$1.00
50-8222-S	11218	Key, Woodruff, .125" x .375" x .374"	10	\$1.45
50-8229	26348-15	Key, Woodruff, .094" x .313" x .311", Steel, 10 Pack	14,25, 28,32	\$7.20
50-8271		Seal, Oil Line Tubing, .344" x .547" x .250", "		\$4.40
50-8280	26338-68	Fitting, Pipe, 90°, Male/Female, 1/8-27 NPTF x .500", Zinc, Steel, 2 Pack	14,25	\$7.95
50-8330	765	Plug, Pipe, 3/4 Taper, 1/4-18 NPTF x .460", Zinc, Steel	5,34	\$1.05
50-8331	45830-48	Plug, Pipe, 3/4 Taper, 1/8-27 NPTF x .188", Zinc, Steel	14,25,34	\$1.00
50-8332		Plug, Pipe, 3/4 Taper, 1/16-27 NPTF x .156", Zinc, Steel		\$0.55
50-8448-S	10998	Retaining Ring, Internal, HO-212	12	\$3.15
55-1014	32446-99	Sensor, Temperature, Cylinder Head, 4-1/8" 1984-'99 bt, 1999-up bt	7	\$24.95
55-1051		Sensor, Kit, Crank Position, 1984-2007 bt		\$68.95
55-1247		Cup, Kit, Rotor, Ignition, Super Stock"		\$12.75
55-1320		Spark Plug, Resistor, 12mm		\$6.30
55-1321		Spark Plug, Resistor, 14mm		\$4.85
55-1322	32317-86A	Spark Plug, Resistor, 12mm, 2 Pack	16,21	\$11.45
55-1322	32362-04	Spark Plug, Resistor, 12mm, 2 Pack	16,21	\$11.45
55-1323	32311-83	Spark Plug, Resistor, 14mm, 2 Pack	8	\$8.85
55-5036		Sensor, Throttle Position, VFI, Packaged		\$40.95
55-5041	27270-95	Sensor, Kit, Temperature, Intake Air	7,15	\$14.50
55-5057	32316-99	Sensor, MAP, ISTT	7	\$49.95
55-5058	27271-95	Sensor, Kit, Throttle Position, VFI	7,15	\$40.95
55-5085	27628-01	Motor, Kit, Idle Air Control, EFI	7	\$85.95
56-1025		Trap Door, Transmission, 5 Speed Rigid Mount, Machined & Natural, Billet, 1986-'99 bt		\$199.95
56-1026	35652-79A	Gasket, Trap Door, Transmission, 5 Speed	6,12	\$2.20
56-1026	35653-98A	Gasket, Trap Door, Transmission, 5 Speed	12	\$2.20
56-1027	35251-93B	Trap Door, Kit, Transmission, 5 Speed, Natural, Billet, 1986-'99 bt	12	\$228.95
56-1044		Transmission Case, Assembly, 5 Speed, w/ Bearings & Seals, Natural, 1989-'99 bt		\$428.95
56-1047	34732-89A	Transmission Case, Assembly, 5 Speed, w/ Bearings & Seals, Wrinkle Black, 1989-'99 bt	12	\$508.95
56-1047	34732-96	Transmission Case, Assembly, 5 Speed, w/ Bearings & Seals, Wrinkle Black, 1989-'99 bt	12	\$508.95
56-1067	33114-79	Guide, Shifter Shaft, 5 Speed Rigid Mount, 1986-'99 bt	12	\$6.05
56-1076		Transmission Case, Assembly, 5 Speed, w/ Bearings & Seals, Polished, 1989-'99 bt		\$489.95
56-1278-S	35078-79	Nut, Jam, HH, 3/4-16 UNF-2B, Steel/Nylon	12	\$5.80

S&S [®] Part Number	H-D [®] Part Number	Description	Page No.	MSRP
56-1280	8996A	Bearing, Ball, Transmission Mainshaft, 10 Balls, 45mm x 85mm x 19mm	12,19	\$55.95
56-1281		Bearing, Ball, Transmission Mainshaft, 45mm x 85mm x 19mm		\$57.95
56-3026	8998	Bearing, Ball, Transmission Countershaft, Left Hand, 20mm x 47mm x 14mm, 1991-'06 bt, 1991-'03 xl	12,20	\$20.95
56-3027	35030-89	Bearing, Ball, 20mm x 47mm x 14mm, 1991-2003 xl	20	\$45.95
56-3030	9187	Bushing, Shifter Drum, 1.218" x 1.407" x .375", Bronze, 1991-2003 xl	20	\$7.70
56-3031	8977	Bearing, Needle, Transmission Countershaft, 1984-'99 bt Left Hand, 1991-20	6,12,19	\$19.40
56-3032	9151	Bearing, Transmission Shift Drum, 1991-2003 xl, Right Hand	19	\$10.50
56-3033	12067A	Seal, Transmission Output Shaft, 2.255" x 3.388" x .250, 1994-'99 bt, 1995-'03 xl	6,12	\$10.50
56-5089		Race, Inner, Transmission Mainshaft, 5/6 Speed, Packaged		\$51.95
56-5107-S	34904-86D	Gasket, Top Cover, Transmission, 6 Speed, 1991-2006 Softail [®] , FLT	12	\$11.40
56-5111	36801-87C	Gasket, Side Cover, Transmission, 6 Speed, 10 Pack	12	\$52.95
56-5111-S	36801-87C	Gasket, Side Cover, Transmission, 6 Speed	12	\$5.80
56-5115	34464-86A	Cover, Transmission Top, S&S [®] 6 Speed, Chrome, Cast, 1991-'99 Softail [®] , 1991-2000 FLT	12	\$134.95
56-5115	34468-86A	Cover, Transmission Top, S&S [®] 6 Speed, Chrome, Cast, 1991-'99 Softail [®] , 1991-2000 FLT	12	\$134.95
56-5115	34468-98	Cover, Transmission Top, S&S [®] 6 Speed, Chrome, Cast, 1991-'99 Softail [®] , 1991-2000 FLT	12	\$134.95
56-5132	37071-87	Dipstick, Oil, Packaged	6,12	\$29.95
56-5132	37075-87	Dipstick, Oil, Packaged	6,12	\$29.95
90-1106		Head, Kit, Stock & 3-7/8" Bore, .640" Triple Steel, 89cc, Wrinkle Black, 1999-2005 bt		\$1,154.95
90-1293		Head, Kit, Stock S&S 3-7/8" Bore, .640" Triple Steel, 79cc, WrinkleBlack, 1999-up bt		\$1,154.95
90-1496		Head, Kit, Stock Bore, O-ring Style, .590" Triple Steel, Single Plug, Internal Oil, Natural, 1966-'78 bt		\$1,244.95
90-1498		Head, Kit, Stock Bore, Band Style, .590" Triple Steel, Single Plug, Internal Oil, Natural, 1979-'84 bt		\$1,244.95
90-1907		Gasket, Kit, Head/Base/Exhaust, 3-1/2", 1986-2003 xl		\$29.95
90-1911		Gasket, Kit, Head/O-ring/Exhaust, 3-3/4", 1999-up bt		\$39.95
90-2008	18001-83B	Seal, Valve Guide, 1984-up bt, 1986-2003 xl	3,8,16	\$2.20
90-2015	18075-80/81	Valve, Intake, Stock Heads, 1.950" x 3.885" @ 1.879" Gauge, 1966-'84 bt	22	\$61.95
90-2015	18078-80/81	Valve, Intake, Stock Heads, 1.950" x 3.885" @ 1.879" Gauge, 1966-'84 bt	22	\$61.95
90-2017	18020-79	Seat, Intake, 1.950", 1966-'84 bt	22	\$27.95
90-2018	18010-79	Seat, Exhaust, 1.750", 1948-'84 bt	22	\$21.95
90-2018	18055-66B	Seat, Exhaust, 1.750", 1948-'84 bt	22	\$21.95
90-2019	18000-81	Seal, Valve Guide, L1981-'84 bt	22	\$1.95
90-2020		Valve, Intake, +.005" Stem Diameter, 1.950" x 3.885" @ 1.879" Gauge, 1966-'84 bt		\$61.95
90-2022	18086-80/81	Valve, Exhaust, 1.720" x 3.724" @ 1.680" Gauge, 1948-'84 bt	22	\$61.95
90-2022	18089-80/81	Valve, Exhaust, 1.720" x 3.724" @ 1.680" Gauge, 1948-'84 bt	22	\$61.95
90-2031		Valve, Exhaust, +.005" Stem Diameter, 1.720" x 3.724" @ 1.680" Gauge, 1948-'84 bt		\$61.95
90-2037-S	18228-36	Valve Keeper, 1936-'84 bt	22	\$2.05
90-2038	18222-81	Collar, Bottom, Valve Spring, .550", Steel, 1981-'84 bt	22	\$14.00

Parts for
Twin Cam 88[®], 96[®], 103[™]

Parts for
Evolution[®]

Parts for
Sportster[®]

Parts for
Snowblends

Parts for
Panheads

Parts for
Knuckleheads

Parts for
Flatheads

Index
Cross Reference

S&S to OEM Cross Reference Chart

Parts for Twin Cam 88°, 96°, 103°
 Parts for Evolution®
 Parts for Sportster®
 Parts for Shovelheads
 Parts for Panheads
 Parts for Knuckleheads
 Parts for Flatheads
 Index Cross Reference

S&S® Part Number	H-D® Part Number	Description	Page No.	MSRP
90-2039		Collar, Top, Valve Spring, .550", Steel, 1948-'84 bt		\$13.20
90-2040		Spring, Inner, Valve, .135" Wire, .550", Chrome Silicone Steel, 1948-'84 bt		\$7.70
90-2041		Spring, Outer, Valve, .192" Wire, .550", Chrome Silicone Steel, 1948-'84 bt		\$7.70
90-2053		Spring, Kit, Valve, Dual, Steel, .550", 1948-'84 bt		\$106.95
90-2060	18201-57B	Spring, Kit, Valve, Triple, Steel, .590", 1948-E'81 bt	31	\$171.95
90-2060	18204-36A	Spring, Kit, Valve, Triple, Steel, .590", 1948-E'81 bt	31	\$171.95
90-2069		Spring, Kit, Valve, SDW, Steel, .585", 1984-2004 bt, 1986-2003 xl		\$110.95
90-2077		Spring, Kit, Valve, Triple, Steel, .640", 1984-2004 bt, 1986-2003 xl		\$131.95
90-2078		Spring, Kit, Valve, Triple, Titanium, .640", 1984-2004 bt, 1986-2003 xl		\$193.95
90-2117		Seat, Intake, 1.950" + .010", 1966-'84 bt		\$27.95
90-2119		Seat, Exhaust, 1.750" + .002", 1948-'84 bt		\$31.95
90-2121		Seat, Exhaust, 1.750" + .010", 1948-'84 bt		\$31.95
90-2157	18000-81	Seal, Valve Guide, L1981-'84 bt, 8 Pack	22	\$14.00
90-2158	18001-83B	Seal, Valve Guide, 1984-up bt, 1986-2003 xl, 8 Pack	3,8,16	\$16.05
90-2210	18112-92	Valve Guide, Intake/Exhaust, Standard, Cast Iron, 1984-up bt, 1986-2003 xl	3,8	\$9.35
90-2211	18130-83C	Valve Guide, Intake/Exhaust, +.001", Cast Iron, 1984-up bt, 1986-2003 xl	3,8	\$18.80
90-2212	18133-83A	Valve Guide, Intake/Exhaust, +.002", Cast Iron, 1984-up bt, 1986-2003 xl	3,8	\$18.80
90-2213	18131-83C	Valve Guide, Intake/Exhaust, +.003", Cast Iron, 1984-up bt, 1986-2003 xl	3,8	\$18.80
90-2240		Valve Guide, Intake/Exhaust, Standard, Cast Iron, 1980-'84 bt		\$12.75
90-2241	18109-81A	Valve Guide, Intake/Exhaust, +.001", Cast Iron, 1980-'84 bt	22	\$18.25
90-2242	18108-81A	Valve Guide, Intake/Exhaust, +.002", Cast Iron, 1980-'84 bt	22	\$18.25
90-2243	18107-81A	Valve Guide, Intake/Exhaust, +.003", Cast Iron, 1980-'84 bt	22	\$18.25
90-2244	18106-81A	Valve Guide, Intake/Exhaust, +.004", Cast Iron, 1980-'84 bt	22	\$18.25
90-2249		Valve Guide, Intake/Exhaust, +.060", Cast Iron, 1980-'84 bt		\$14.95
90-2345	RLDR, WLDR, WR 80168-32	Spring, Kit, Valve, Single Valves, 1941-'51 WR, 1952-'53 KR	39	\$83.95
90-4006	17611-83	Shaft, Rocker Arm, 1984-'99 bt	4,9,17	\$10.50
90-4018	17358-84A	Gasket, Middle Inner, Rocker Cover, Cork, 1984-'99 bt, 1986-2003 xl	9,17	\$1.65
90-4020	17354-89	Gasket, Top, Rocker Cover, Cork, 1991-2003 xl	17	\$5.25
90-4030	26856-89	Seal, Umbrella Valve Cover	9,17	\$1.35
90-4036	17611-83	Shaft, Set, Rocker Arm, Stock Replacement, 1984-up bt, 1986-up xl	4,9,17	\$34.95
90-4040	17540-69	Gasket, Rocker Cover, 1966-'84 bt	24	\$7.15
90-4042	17358-84A	Gasket, Middle Inner, Rocker Cover, Rubber, 1984-'99 bt, 1986-2003 xl	9,17	\$1.00
90-4044		Gasket, Middle Outer, Rocker Cover, Rubber, 1992-'99 bt		\$4.40
90-4045		Gasket, Top, Rocker Cover, Rubber, 1992-'99 bt		\$4.40
90-4047		Gasket, Kit, Rocker Cover, Rubber, 1992-'99 bt		\$44.95
90-4050		Rocker Box, Kit, Chrome, Billet, 1984-'99 bt, 1986-2003 xl		\$959.95
90-4055		Rocker Box, Kit, Natural, Billet, 1984-'99 bt, 1986-2003 xl		\$729.95
90-4058	16778-84A	Gasket, Bottom Right, Rocker Cover, 1984-'99 bt, 1986-2003 xl	9	\$3.50

S&S® Part Number	H-D® Part Number	Description	Page No.	MSRP
90-4059	16779-84B/D	Gasket, Bottom Left, Rocker Cover, 1984-'99 bt, 1986-2003 xl	9	\$5.40
90-4062	16778-84A	Gasket, Bottom Right, Rocker Cover, .018", Graphite, 1984-'99 bt, 1986-2003 xl, 10 Pack	9	\$31.95
90-4063	16779-84B	Gasket, Bottom Left, Rocker Cover, .018", Graphite, 1984-'99 bt, 1986-2003 xl, 10 Pack	9	\$48.95
90-4064	17540-69	Gasket, Rocker Cover, Graphite, 1966-'84 bt, 10 Pack	24	\$64.95
90-4071	16719-99B	Gasket, Bottom, Rocker Cover, Graphite, 4-1/8" 1984-'99 bt, 1999-up bt, 2 Pack	4	\$9.00
90-4071-S	16719-99B	Gasket, Bottom, Rocker Cover, 4-1/8" 1984-'99 bt, 1999-up bt	4	\$7.25
90-4077	17591-99	Gasket, Breather Cover, Stock Pattern, Paper, 1999-2010 bt	4	\$1.00
90-4078	17592-99	Gasket, Breather Baffle, Stock Pattern, Paper, 1999-2010 bt	4	\$1.00
90-4095		Rocker Box, Kit, Chrome, Die Cast, 1984-'99 bt		\$599.95
90-4096-S	17386-99A	Gasket, Rocker Cover, Steel, 1999-up bt	4	\$9.95
90-4097	16719-99B	Gasket, Kit, Rocker Cover, 1999-up bt	4	\$45.95
90-4097	17386-99A	Gasket, Kit, Rocker Cover, 1999-up bt	4	\$45.95
90-4099	16719-99B	Gasket, Bottom, Rocker Cover, Graphite, 4-1/8" 1984-'99 bt, 1999-up bt, 10 Pack	4	\$65.95
90-4099	16719-99B	Gasket, Rocker Cover, 1999-up, 10 PACK	4	\$65.95
90-4110		Rocker Box, Kit, Chrome, Die Cast, 4-1/8" 1984-'99 bt, 1999-up bt		\$599.95
90-4305		Rocker Box, Kit, Polished, Billet, 1966-'84 bt		\$774.95
91-3010		Cylinder, Set, 3-1/2" Bore, 4.650", Natural, 1986-2003 xl		\$559.95
91-3010F		Cylinder, Front, 3-1/2" Bore, 4.650", Natural, 1986-2003 xl		\$335.95
91-3010R		Cylinder, Rear, 3-1/2" Bore, 4.650", Natural, 1986-2003 xl		\$335.95
91-3904		Cylinder, Set, 3-1/2" Bore, 4.650", Wrinkle Black, 1986-2003 xl		\$649.95
91-3904F		Cylinder, Front, 3-1/2" Bore, 4.650", Wrinkle Black, 1986-2003 xl		\$389.95
91-3904R		Cylinder, Rear, 3-1/2" Bore, 4.650", Wrinkle Black, 1986-2003 xl		\$389.95
91-7045		Cylinder, Set, 3-7/8" Bore, 4.937", Wrinkle Black, 1999-up bt		\$562.95
91-7210		Cylinder, Set, 3-1/2" Bore, 5.550", Natural, 1984-'99 bt		\$494.95
91-7210F		Cylinder, Front, 3-1/2" Bore, 5.550", Natural, 1984-'99 bt		\$296.95
91-7210R		Cylinder, Rear, 3-1/2" Bore, 5.550", Natural, 1984-'99 bt		\$296.95
91-7710		Cylinder, Set, 3-1/2" Bore, 5.550", Wrinkle Black, 1984-'99 bt		\$584.95
91-7710F		Cylinder, Front, 3-1/2" Bore, 5.550", Wrinkle Black, 1984-'99 bt		\$350.95
91-7710R		Cylinder, Rear, 3-1/2" Bore, 5.550", Wrinkle Black, 1984-'99 bt		\$350.95
91-9010F		Cylinder, Front, 3-7/16" Bore, 5.330", Gloss Black, 1966-'84 bt		\$413.95
91-9010R		Cylinder, Rear, 3-7/16" Bore, 5.330", Gloss Black, 1966-'84 bt		\$225.95
91-9011		Cylinder, Set, 3-7/16" Bore, 5.330", w/ Gaskets & Hardware, Gloss Black, 1966-'84 bt		\$723.95
91-9013		Cylinder, Kit, 3-7/16" Bore, 5.330", 3-31/32" Stroke, 106-5495, Gloss Black, 8.0:1 Compression, 1966-'84 bt		\$914.95
91-9020F		Cylinder, Front, 3-1/2" Bore, 5.330", Gloss Black, 1966-'84 bt		\$353.50

S&S [®] Part Number	H-D [®] Part Number	Description	Page No.	MSRP
91-9020R		Cylinder, Rear, 3-1/2" Bore, 5.330", Gloss Black, 1966-'84 bt		\$353.50
91-9021		Cylinder, Set, 3-1/2" Bore, 5.330", w/ Gaskets & Hardware, Gloss Black, 1966-'84 bt		\$742.95
91-9024		Cylinder, Kit, 3-1/2" Bore, 5.330", 4-1/4" Stroke, 106-5511, Gloss Black, 8.0:1 Compression, 1966-'84 bt		\$970.95
93-1011-S	16770-84D	Gasket, Head, .045", 3-1/2", Graphite, 304 SS, 1984-'99 bt, 1986-2003 xl	8,16	\$7.15
93-1023-S	16776-63	Gasket, Base, .020", Stock, 1966-'84 bt (Logo Side Faces Cylinder)	22	\$4.15
93-1024	16770-84D	Gasket, Head, .045", 3-1/2", 1984-'99 bt, 1986-2003 xl, 10 Pack	8,16	\$64.95
93-1035-S	16777-83A	Gasket, Base, .018", 3-1/2", Graphite, 1984-'99 bt	8	\$4.05
93-1038-S	16774-86D	Gasket, Base, .018", 3-1/2", Graphite, 1986-2003 xl	8,16	\$3.35
93-1041	16770-66B	Gasket, Head, .032", Stock, Copper, 1966-'84 bt	22	\$10.00
93-1045-S		Gasket, Head, Stock Pattern, .043", 3-3/4", Graphite, 304 SS, 1999-up bt		\$25.95
93-1051	16664-86B	Gasket, Head, .0625", 3-1/2", 1984-'99 bt, 1986-2003 xl, 10 Pack	16	\$77.95
93-1061	16770-66B	Gasket, Head, .032", Stock, Copper, 1966-'84 bt, 10 Pack	22	\$90.95
93-1063	16777-83A	Gasket, Base, .018", 3-1/2", 1984-'99 bt, 10 Pack	8	\$36.95
93-1070	16776-63	Gasket, Base, .020", Stock, Graphite, 1966-'84 bt, 10 Pack (Logo Side Facing Cylinder)	22	\$37.95
93-1072	65324-83B	Gasket, Exhaust, Stainless Steel, 1984-'99 bt, 1986-2003 xl, 10 Pack	3,8,16	\$40.95
93-1090		Gasket, Set, Head, Stock Pattern, .043", 3-3/4", Graphite, 1999-up bt		\$25.95
93-1313-S	16664-86B	Gasket, Head, .0625", 3-1/2", Graphite, 304 SS, 1984-'99 bt, 1986-2003 xl	16	\$8.55
93-3010		Head Bolt, Kit, 12 pt, 1984-up bt, 1986-2003 xl		\$69.95
93-3014		Head Bolt, Kit, Stock Heads, 12 pt, 1984-up bt, 1986-2003 xl		\$99.95
93-3024	16814-77	Head Bolt, w/ Washer, 12 pt, 7/16-20 X 2-3/8" x 1"TD, 10 Pack	22	\$79.95
93-3024	6469HW	Head Bolt, w/ Washer, 12 pt, 7/16-20 X 2-3/8" x 1"TD, 10 Pack	22	\$79.95
93-3024-S		Head Bolt, 12 pt, 7/16-20 X 2-3/8" x 1"TD		\$6.25
93-3025		Washer, Head Bolt, .445" x .600" x .100", Polished, Stainless Steel		\$1.65
93-3030		Head Bolt, w/ Washer, 12 pt, 3/8-16 x 3.384" x .950"TD		\$12.75
93-3036		Head Bolt, w/ Washer, 12 pt, 3/8-16 x 2.170" x .950"TD		\$12.75
93-3063	16602-30	Nut, Cylinder Base, HH, 7/16-20 UNF-2B x .910", Polished, Stainless Steel, 1936-'84 bt, 8 Pack	22	\$61.95
93-3063-S	16602-30	Nut, Cylinder Base, HH, 7/16-20 UNF-2B x .910", Polished, Stainless Steel, 416	22	\$8.50
93-4015	17938-83	Pushrod Cover, Bottom, Chrome Plated, Steel, 1984-up bt, 1986-'90 xl	9	\$12.15
93-4016	17935-79B	Pushrod Cover, Top, Natural, Aluminum, 1966-up bt, 1986-'90 xl	9,24	\$11.65
93-4017	17945-36B	Cap, Pushrod Cover, 1936-up bt, 1957-'90 xl	4,9,24	\$7.70
93-4018	17947-36	Spring, Pushrod Cover Cap, .080" Wire, .730" x .890" x .925", Steel, 1936-up bt, 1957-'90 xl	4,9,24,36	\$1.05
93-4022		O-ring, Kit, Pushrod Cover, 1984-'99 bt, 1986-2003 xl		\$6.65
93-4029		Pushrod Cover, Bottom, w/ O-rings, Chrome, 1979-'84 bt		\$17.75
93-4035-S	17949-40	Cover Keeper, Pushrod, 3.330", Chrome	36	\$4.40
93-4035-S	17950-66	Cover Keeper, Pushrod, 3.330", Chrome	9,24	\$4.40
93-4039		Pushrod Cover, Kit, Chrome, 1984-'99 bt, 1986-'90 xl		\$139.95

S&S [®] Part Number	H-D [®] Part Number	Description	Page No.	MSRP
93-4040		Pushrod Cover, Kit, Chrome, 1979-'84 bt		\$139.95
93-4055		Mount, Top, Engine, 2-Piece, Semi-Gloss Black, Steel, 1986-up xl		\$101.95
93-4056		Mount, Front, Engine, Up To 5.087" Cylinder, Semi-Gloss Black, Steel, 1986-up xl		\$77.95
93-4057	16852-67A	Mount, Top, Engine, 2-Piece, Natural, Steel, 1948-'84 bt	22	\$42.95
93-4057	16853-48	Mount, Top, Engine, 2-Piece, Natural, Steel, 1948-'84 bt	22	\$42.95
93-4100		Cover Keeper, Set, Pushrod, 2.500", Chrome		\$27.95
93-4106	17949-40	Cover Keeper, Set, Pushrod, 3.330", Chrome	36	\$27.95
93-4106	17950-66	Cover Keeper, Set, Pushrod, 3.330", Chrome	9,24	\$27.95
93-4110	11157	O-ring, Top, Pushrod Cover, (-209), .687" ID x .937" OD, ", 10 Pack	9,24	\$14.50
93-4110	11190	O-ring, Top, Pushrod Cover, (-209), .687" ID x .937" OD, ", 10 Pack	17,24	\$14.50
93-4110	11293	O-ring, Top, Pushrod Cover, (-209), .687" ID x .937" OD, ", 10 Pack	4,6	\$14.50
93-4111	11132A	O-ring, Middle, Pushrod Cover, (-115), .687" ID x .875" OD, Black, Nitrile, 10 Pack	4	\$3.75
93-4112	11145A	O-ring, Bottom, Pushrod Cover, (-118), .875" ID x 1.062" OD, ", 10 Pack	4	\$6.45
93-5022		Pushrod, Set, Adjustable, Stock Rocker Arms, +.4375", Steel, 1986-'90 xl, 1991-2003 Stock x		\$109.95
93-5033		Pushrod, Set, Adjustable, Stock, Steel, 1986-'90 xl		\$109.95
93-5070	17904-66	Pushrod, Set, Adjustable, Hydraulic Tappet, Stock, Steel, 1966-'84 bt	24	\$109.95
93-5076		Pushrod, Set, Adjustable, Stock, Steel, 1984-'99 bt		\$109.95
93-5096		Pushrod, Set, Adjustable, Stock, Steel, 1999-up bt		\$109.95
93-5120		Pushrod, Set, Quickie, Hydraulic Tappet, 80"-98", 113", 117", 124", Steel, 1984-'99 bt		\$159.95
93-5122		Pushrod, Set, Quickie, Hydraulic Tappet, 88"-124", Steel, 1986-up xl, 1999-up bt		\$159.95
94-2200X		Ring, Set, Piston, 3-7/16", Standard, Moly Faced, .0625, .0625, .184, 1966-'84 bt		\$31.95
94-2201X		Ring, Set, Piston, 3-7/16", +.010", Moly Faced, .0625, .0625, .184, 1966-'84 bt		\$31.95
94-2202X		Ring, Set, Piston, 3-7/16", +.020", Moly Faced, .0625, .0625, .184, 1966-'84 bt		\$31.95
94-2203X		Ring, Set, Piston, 3-7/16", +.030", Moly Faced, .0625, .0625, .184, 1966-'84 bt		\$31.95
94-2204X		Ring, Set, Piston, 3-7/16", +.040", Moly Faced, .0625, .0625, .184, 1966-'84 bt		\$31.95
94-2206X		Ring, Set, Piston, 3-7/16", +.060", Moly Faced, .0625, .0625, .184, 1966-'84 bt		\$31.95
94-2207X		Ring, Set, Piston, 3-7/16", +.070", Moly Faced, .0625, .0625, .184, 1966-'84 bt		\$31.95
94-2208X		Ring, Set, Piston, 3-7/16", +.080", Moly Faced, .0625, .0625, .184, 1966-'84 bt		\$31.95
94-2216X	21920-83	Ring, Set, Piston, 3-1/2", Standard, Moly Faced, .0625, .0625, .1525, 1984-'99 bt, 1986-2003 xl	8	\$31.95
94-2217X	21922-83	Ring, Set, Piston, 3-1/2", +.010", Moly Faced, .0625, .0625, .1525, 1984-'99 bt, 1986-2003 xl	8	\$31.95
94-2218X	21923-83	Ring, Set, Piston, 3-1/2", +.020", Moly Faced, .0625, .0625, .1525, 1984-'99 bt, 1986-2003 xl	8	\$31.95
94-9254	22589-83A/B	Wristpin Keeper, C-Clip, .791"/.792", 4 Pack	8	\$3.30
94-9254-2	22589-83A/B	Wristpin Keeper, C-Clip, .791"/.792", 2 Pack	8	\$0.60
94-9254-S	22589-83A/B	Wristpin Keeper, C-Clip, .791"/.792"	8	\$1.00
106-0232		Gasket, Gearcover, Undersized Profile, 1970-'99 bt, 10 Pack		\$24.95
106-0348		Belt, Secondary Drive, 126 Tooth, 1.5", Carbon		\$193.95
106-0349		Belt, Secondary Drive, 127 Tooth, 1.5", Carbon		\$193.95
106-0350		Belt, Secondary Drive, 128 Tooth, 1.5", Carbon		\$193.95

Parts for
Twin Cam 88[°], 96[°], 103[™]

Parts for
Evolution[®]

Parts for
Sportster[®]

Parts for
Snowheads

Parts for
Panheads

Parts for
Knuckleheads

Parts for
Flatheads

Index
Cross Reference

S&S to OEM Cross Reference Chart

Parts for
Twin Cam 88®

Parts for
Evolution®

Parts for
Sportster®

Parts for
Flatheads

Parts for
Knuckleheads

Parts for
Panheads

Parts for
Shovelheads

Index
Cross Reference

S&S® Part Number	H-D® Part Number	Description	Page No.	MSRP
106-0351		Belt, Secondary Drive, 130 Tooth, 1.5", Carbon		\$193.95
106-0352		Belt, Secondary Drive, 132 Tooth, 1.5", Carbon		\$193.95
106-0353		Belt, Secondary Drive, 133 Tooth, 1.5", Carbon		\$197.95
106-0354		Belt, Secondary Drive, 135 Tooth, 1.5", Carbon		\$199.95
106-0355		Belt, Secondary Drive, 136 Tooth, 1.5", Carbon		\$199.95
106-0356		Belt, Secondary Drive, 139 Tooth, 1.5", Carbon		\$205.95
106-0357		Belt, Secondary Drive, 125 Tooth, 1.125", Carbon		\$182.95
106-0358		Belt, Secondary Drive, 128 Tooth, 1.125", Carbon		\$182.95
106-0359		Belt, Secondary Drive, 130 Tooth, 1.125", Carbon		\$182.95
106-0360		Belt, Secondary Drive, 132 Tooth, 1.125", Carbon		\$182.95
106-0361		Belt, Secondary Drive, 133 Tooth, 1.125", Carbon		\$193.95
106-0362		Belt, Secondary Drive, 135 Tooth, 1.125", Carbon		\$193.95
106-0363		Belt, Secondary Drive, 139 Tooth, 1.125", Carbon		\$193.95
106-0682	11168A	O-ring, (-022), ", 10 Pack	17	\$11.05
106-0913	2675	Screw, SHC, 10-24 x 3/4", Chrome	31	\$2.00
106-0919	17500-48A	Cover, Set, Rocker Arm, Chrome, Steel, 1948-'65 bt	31	\$76.95
106-0920	17507-51	Ring, Set, Rocker Cover, D Style, 1948-'65 bt	31	\$53.95
106-1338		Belt, Secondary Drive, 149 Tooth 1.125", Carbon		\$207.95
106-1340		Pushrod Cover, Kit, Chrome, 1999-up bt		\$139.95
106-1619		Gearcover, Kit, Generator, Flatside, Stock Style, Natural, 1965 bt		\$270.95
106-1625		Gearcover, Kit, Generator, Flatside, Stock Style, Natural, 1966-'69 bt		\$259.95
106-1771		Housing, Set, Rocker Arm, Flathead Power, Polished, Stock 1936-'47 OHV bt & KN-Series		\$401.95
106-1815		Tappet, Assembly, Intake, Standard, 1936-'47 OHV bt		\$67.95
106-1816		Tappet, Assembly, Intake, +.005", 1936-'47 OHV bt		\$69.95
106-1817		Tappet, Assembly, Exhaust, Standard, 1936-'47 OHV bt		\$67.95
106-1818		Tappet, Assembly, Exhaust, +.005", 1936-'47 OHV bt		\$69.95
106-1819	18491-36	Tappet, Set, Standard, 1936-'47 OHV bt	36	\$269.95
106-1820		Tappet, Set, +.005", 1936-'47 OHV bt		\$277.95
106-2013	2341	Screw, Gearcover Mounting, Slotted countersunk, oval, 1/4-24 x 1-1/8", Cadmium	38	\$1.75
106-2072	25225-36C	Gasket, Gearcover, 1965-'69 bt	28,32	\$4.90
106-2087	2341	Screw, Gearcover Mounting, Slotted countersunk, oval, 1/4-24 x 1-1/8", Cadmium, 12 pack	38	\$18.95
106-2400		Cover, Kit, Top, Valve Spring (Tins), Flathead Power, Chrome, 1938-'47 bt; KN-Series		\$166.95
106-2401		Cover, Kit, Bottom, Valve Spring (Tins), Flathead Power, Black Anodize, 1938-'47 bt; KN-Series		\$465.95
106-2410		Tappet Guide, Set, Flathead Power, Silver, 1936-'47 OHV bt		\$399.95
106-2412		Rocker Arm, Set, Non-Roller, Flathead Power, 1:1 Ratio		\$640.95
106-2413		Shaft, Set, Rocker Arm, Flathead Power®		\$214.95
106-2475	16671-36	Head, Set, Natural, Aluminum, 1937-'48 UL, FH-Series	39	\$623.95
106-2561	18632-36	Gasket, Tappet Guide, Fiber 4N, 1936-'47 OHV bt	36	\$1.05
106-2563	18632-36	Gasket, Set, Tappet Guide, 1936-'47 OHV bt	36	\$2.60
106-2665	18600-36	Tappet Guide, Front, Flathead Power®, Silver, Cast Iron, 1936-'47 OHV bt	36	\$239.95
106-2666	18610-36	Tappet Guide, Rear, Flathead Power®, Silver, Cast Iron, 1936-'47 OHV bt	36	\$239.95
106-2669	16769-36	Gasket, Set, Head, FH-Series, Flathead Power®, Copper, 1937-'48 UL	39	\$36.95
106-2680	16769-36		39	\$31.95

S&S® Part Number	H-D® Part Number	Description	Page No.	MSRP
106-2682	26338-68	Fitting, Pipe, 90°, Male/Female, Machined, 1/8-27 NPTF x .500", Zinc Plated, Steel	14,25	\$4.85
106-2689	16770-36	Gasket, Set, Head, KN-Series, Flathead Power®, 3-7/16", Copper	36	\$34.95
106-2692	16774-21	Gasket, Base, KN-Series, Flathead Power®, 3-5/16", CMP-4200	36,39	\$8.25
106-2827		Belt, Secondary Drive, 156 Tooth, 1.5", Carbon		\$207.95
106-2862		Rocker Arm, FI, Non-Roller, Flathead Power®, 1:1 Ratio, Heat Treated		\$192.95
106-2863		Rocker Arm, FE, Non-Roller, Flathead Power®, 1:1 Ratio, Heat Treated		\$192.95
106-2864		Rocker Arm, RI, Non-Roller, Flathead Power®, 1:1 Ratio, Heat Treated		\$192.95
106-2865		Rocker Arm, RE, Non-Roller, Flathead Power®, 1:1 Ratio, Heat Treated		\$192.95
106-2878		Gasket, Bottom, Valve Spring Covers, (Tins), Flathead Power®, Vulcanized Fiber, 1936-'47 OHV bt		\$7.30
106-2889	17447-36	Nut, Rocker Arm Shaft, Knuckle, w/O-ring, Chrome, Stock 1936-'47 OHV bt & KN-Series, 4 Pack	36	\$51.95
106-2893		Cover, Kit, Top, Valve Spring (Tins), Flathead Power, Gloss Black, 1938-'47 bt; KN-Series		\$166.95
106-3005		Tappet Guide, Set, w/o Logo, S&S® Crankcase, SA Style, Chrome, Billet, 1984-'99 bt		\$374.95
106-3128		Cylinder, 3-7/8" Bore, 4.937", Unhoned, Wrinkle Black, 1999-up bt		\$337.95
106-3175	634	Pin, Roll, .328" x .760", Zinc, Steel, 10 Pack	12	\$6.45
106-3227		Head, Kit, Stock Bolt Pattern, .640" Triple Steel, 79cc, Silver, 2006-up bt, 2008-up Touring		\$1,154.95
106-3233		Head, Kit, Stock Bolt Pattern, .640" Triple Steel, 79cc, Wrinkle Black, 2006-up bt, 2008-up Touring		\$1,154.95
106-3240		Head, Kit, Stock Bolt Pattern, .640" Triple Steel, 89cc, Wrinkle Black, 2006-up bt, 2008-up Touring		\$1,154.95
106-3255		Head, Kit, Stock Bolt Pattern, .640" Triple Steel, 89cc, Silver, 2006-up bt, 2008-up Touring		\$1,154.95
106-3453		Washer, Flat, .344" x .688" x .065", Chrome, Steel, 10 Pack		\$11.75
106-3456	1601	Screw, FHSC, 8-32 x 1/2", Stainless Steel, 10 Pack	13,28	\$4.00
106-3466	16690-92B	Head, Kit, Stock & 3-5/8" Bore, Performance Replacement, .585" SDW Steel, 82cc, Natural, 1984-'99 bt	8	\$982.95
106-3466	16691-92B	Head, Kit, Stock & 3-5/8" Bore, Performance Replacement, .585" SDW Steel, 82cc, Natural, 1984-'99 bt	8	\$982.95
106-3499	25216-48	Gearcover, Kit, Generator, KN-Series, Ribbed, Stock Pinion Shaft, Natural, Late 1948-'53 bt	32,38	\$207.95
106-3629	18081-36	Valve, Exhaust, Flathead Power®, 1.750", Stock 1936-'47 OHV bt & KN-Series	36	\$32.95
106-3634	3477	Screw, Valve Spring Covers, Stock 1936-'47 OHV bt & KN-Series	36	\$0.95
106-3636	17475-38	Seal, Oil, Rocker Arm	36	\$4.85
106-3637	18181-36	Valve Guide, Intake/Exhaust, Standard, Cast Iron	36	\$16.05
106-3714		Gasket, Head, Stock Pattern, .043", 3 7/8", MLS		\$25.95
106-3763		Gasket, Kit, 3 7/8", Head/Oring/Exhaust, 1999-up bt		\$63.95
106-3774		Cover, Cam Chest, Stock Replacement, Chrome, 1999-up bt		\$399.95
106-3830		Housing, Front, Rocker Arm, Flathead Power®, Polished, Stock 1936-'47 OHV bt & KN-Series		\$203.95
106-3834		Housing, Rear, Rocker Arm, Flathead Power®, Polished, Stock 1936-'47 OHV bt & KN-Series		\$203.95
106-3842	17300-36	Housing, Front, Rocker Arm, Flathead Power®, Natural, Stock 1936-'47 OHV bt & KN-Series	36	\$187.95

S&S® Proven Performance®

S&S® Part Number	H-D® Part Number	Description	Page No.	MSRP
106-3847		Screw, Slotted, Oval, Machined, 1/4-24 x 5/8", Cadmium Plated, Steel		\$2.00
106-3848		Washer, Countersunk, External Tooth, 1/4" x 1/2", Cadmium Plated, Steel		\$0.25
106-3849	17955-36	O-ring, Square, .1875"	36	\$1.35
106-3850	17935-36	Pushrod Cover, Top, Natural, Zinc Plated, Steel, Stock 1936-'47 OHV bt & KN-Series	36	\$10.35
106-3851	17983-40	Pushrod Cover, Bottom, Chrome, Stock 1936-'47 OHV bt & KN-Series	36	\$15.45
106-3883		Tappet Cover, Set, Stock Style, Chrome		\$199.95
106-3884		Bracket, Assembly, Oil Filter, Chrome, 1999-up bt		\$160.95
106-3885		Cover, Transmission Side, Hydraulic Clutch, Chrome		\$277.95
106-3945	17310-36/41	Housing, Rear, Rocker Arm, Flathead Power®, Natural, Stock 1936-'47 OHV bt & KN-Series	36	\$187.95
106-3949		Pushrod Cover, Kit, Natural, Stock 1936-'47 OHV bt & KN-Series		\$139.95
106-3951		Housing, Set, Rocker Arm, Flathead Power®, Natural, Stock 1936-'47 OHV bt & KN-Series		\$364.95
106-4035		Cover, Transmission Side, Mechanical Clutch, Chrome		\$221.95
106-4039		Crankcase, Assembly, Stock Bore, bt, Alternator, Silver, 1999-2006 except 2006 DynaT		\$1,759.95
106-4061		Cylinder, 3-7/8" Bore, 4.937", Unhoned, Silver, 1999-up bt		\$337.95
106-4137		Cylinder, Set, 3-7/8" Bore, 4.937", Silver, 1999-up bt		\$562.95
106-4211		Gearcover, Kit, Alternator, Billet Ignition Cover, Chrome, Billet, 1973-'92 bt		\$479.95
106-4270		Head, Kit, Stock & 3-7/8" Bore, .640" Triple Steel, 89cc, Silver, 1999-2005 bt		\$1,154.95
106-4277		Head, Kit, Stock & 3-7/8" Bore, .640" Triple Steel, 79cc, Silver, 1999-up bt		\$1,154.95
106-4346		Cover, Kit, Top, Valve Spring (Tins), Flathead Power®, Silver, 1938-'47 bt; KN-Series		\$166.95
106-4352		Washer, Rocker Arm, Thrust, Stepped .015, 1936-'47 OHV bt		\$4.15
106-4355	17447-36	Nut, Rocker Arm Shaft, Knuckle, w/ O-ring, Chrome, 1936-'47 OHV bt	36	\$14.30
106-4357		Washer, Lock, 7/16", Zinc		\$1.05
106-4358	17482-36	Washer, Rocker Arm, Packing, Stock 1936-'47 OHV bt & KN-Series	36	\$3.75
106-4512	16483-41	Cylinder, Set, 3-7/16" Bore, 5.530", w/ Gaskets, Hi-Temp Black, 1936-'47 OHV bt	36	\$910.95
106-4512	16492-41	Cylinder, Set, 3-7/16" Bore, 5.530", w/ Gaskets, Hi-Temp Black, 1936-'47 OHV bt	36	\$910.95
106-4513	16483-41	Cylinder, Front, 3-7/16" Bore, 5.530", 1936-'47 OHV bt	36	\$455.95
106-4514	16492-41	Cylinder, Rear, 3-7/16" Bore, 5.530", 1936-'47 OHV bt	36	\$455.95
106-4519		Cylinder, Kit, 3-7/16" Bore, 5.530", 3-31/32" Stroke, 106-5495, Hi-Temp Black, 8.0:1 Compression, 1936-'47 OHV bt		\$1,049.95
106-4522		Nut, Kit, Base, Cadmium Plated, Stock Bore 1930-'78 bt		\$21.95
106-4524	7839	Nut, Cylinder Base, HH, 7/16-20 UNF-2B, Cadmium Plated, Stock 1930-'78 bt	36,39	\$1.60
106-4528		Washer, Cam, Lock, .062", Steel, 1936-'47 OHV bt (KN Series)		\$8.55
106-4570	16692-95	Head, Kit, Stock & 3-5/8" Bore, Performance Replacement, .585" SDW Steel, 82cc, Wrinkle Black, 1984-'99 bt	8	\$1,039.95
106-4570	16696-92A	Head, Kit, Stock & 3-5/8" Bore, Performance Replacement, .585" SDW Steel, 82cc, Wrinkle Black, 1984-'99 bt	8	\$1,039.95
106-4598		Screw, HHC, 3/8-16 x 1-1/8", Cadmium Plated		\$3.65

S&S® Part Number	H-D® Part Number	Description	Page No.	MSRP
106-4619		Fitting, Pipe, Straight, Oil Line Return, Rocker Housing, Parkerized		\$4.30
106-4630	29461-99	Filter, Air, Carb/EFI, 2001-'08 Softail® EFI, 2002-'07	7	\$74.95
106-4631	29462-99	Filter, Air, 1999-2001 EFI	7	\$77.95
106-4632	29330-96	Filter, Air, Carb, 1990-'99 bt	15	\$62.95
106-4633	29036-88B	Filter, Air, 1986-2003 xl	21	\$66.95
106-4633	29331-96	Filter, Air, 1986-2003 xl	21	\$66.95
106-4635	29331-04	Filter, Air, 2004-'12 xl	21	\$74.95
106-4734	17330-42	Oil Line Fitting	38	\$9.65
106-4749		Nut, HH, 5/16-24 UNF-2B x .273", Chrome, Steel, 5 Pack		\$17.10
106-4795	24912-48	Tube, Crankcase Breather, Powdercoated, Gloss Black, Steel, 1936-'69 bt	34	\$69.95
106-4919	16774-21	Gasket, Base, KN-Series, Flathead Power®, 3-5/16", 3-7/16", 2 Pack	36,39	\$15.00
106-4929		Head, Kit, Flathead Power®, Stock 1936-'47 OHV bt & KN-Series		\$1,559.95
106-5029	65324-83B	Gasket, Exhaust, Tapered, Stainless Steel, 1984-up bt, 1986-up xl	3,8,16	\$4.50
106-5313	7055	Washer, Lock, 7/16", Cadmium Plated	36,39	\$1.00
106-5314	6469	Washer, Head Bolt, Cadmium Plated, 1936-'64 OHV bt	36	\$0.85
106-5495		Piston, Set, 3-7/16", Standard, 74", LC, Forged, .791" WP, 1936-'84 bt		\$289.95
106-5496		Piston, Set, 3-7/16", +.010", 74", LC, Forged, .791" WP, 1936-'78 bt		\$289.95
106-5497		Piston, Set, 3-7/16", +.020", 74", LC, Forged, .791" WP, 1936-'78 bt		\$289.95
106-5498		Piston, Set, 3-7/16", +.030", 74", LC, Forged, .791" WP, 1936-'78 bt		\$289.95
106-5498		Piston, Set, 3-7/16", Standard, HC, .791" WP, 1936-'84 bt		\$289.95
106-5504		Piston, Set, 3-7/16", +.010", HC, .791" WP		\$289.95
106-5505		Piston, Set, 3-7/16", +.020", HC, .791" WP, 1936-'84 bt		\$289.95
106-5506		Piston, Set, 3-7/16", +.030", HC, .791" WP, 1936-'84 bt		\$289.95
106-5511		Piston, Set, 3-1/2", Standard, 80", LC, .791" WP, 1979-'84 bt		\$289.95
106-5512		Piston, Set, 3-1/2", +.010", 80", LC, .791" WP, 1979-'84 bt		\$289.95
106-5513		Piston, Set, 3-1/2", +.020", LC, .791" WP, 1936-'84 bt		\$289.95
106-5514		Piston, Set, 3-1/2", +.030", 80", LC, .791" WP, 1979-'84 bt		\$289.95
106-5519		Piston, Set, 3-1/2", Standard, HC, .791" WP, 1936-'84 bt		\$289.95
106-5520		Piston, Set, 3-1/2", +.010", HC, .791" WP, 1936-'84 bt		\$289.95
106-5521		Piston, Set, 3-1/2", +.020", HC, .791" WP, 1936-'84 bt		\$289.95
106-5522		Piston, Set, 3-1/2", +.030", HC, .791" WP, 1936-'84 bt		\$289.95
106-5688		Seal, Valve Guide, S&S® CNC Ported Heads		\$2.15
106-5773		Piston, Set, 3-7/16", +.040", 74", LC, .791" WP, 1936-'78 bt		\$289.95
106-5775		Piston, Set, 3-7/16", +.040", HC, .791" WP, 1936-'84 bt		\$289.95
106-5872	18490-29	Tappet, Body, w/ Roller, Standard, 1929-'73 SV bt	39	\$67.95
106-5875		Tappet, Set, Standard, 1929-'73 SV bt		\$269.95
106-5876		Tappet, Body, w/ Roller, +.005, 1929-'73 SV bt		\$69.95
106-5879		Tappet, Set, +.005, 1929-'73 SV bt		\$277.95

Parts for
Twin Cam 88®

Parts for
Evolution®

Parts for
Sportster®

Parts for
Flatheads

Parts for
Knuckleheads

Parts for
Panheads

Parts for
Shovelheads

Index
Cross Reference

Stock Replacement Parts for Harley-Davidson® from S&S® Cycle



WHEN A LEGEND IS NOT ENOUGH · V-TWIN PERFORMANCE SINCE 1958

WWW.SSCYCLE.COM

#510-0046 © S&S CYCLE, INC